

Frigidaire

Factory Parts Catalog

Product No.	FGR311FS1
Series	Frigidaire
Market	North America
Color	white
Volts	120
Wiring Diagram	131518600
Owner's Guide	137103100
Installation Instructions	137103000
Operating Instructions	137103300

 **Electrolux**

Electrolux Major Appliances
North & Latin America
P.O. BOX 212378
AUGUSTA, GA 30917

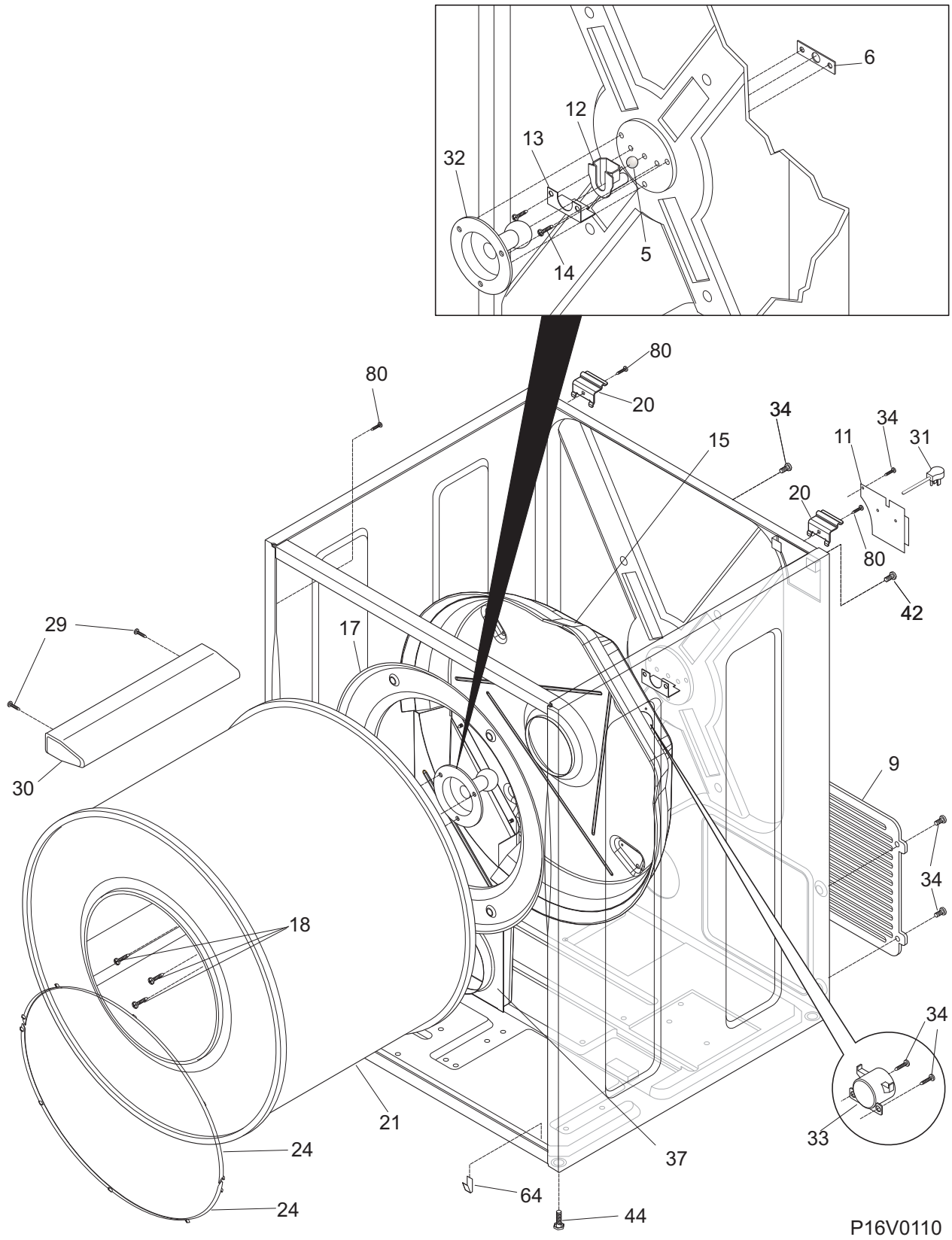
Publication No.
5995520029
08/07/25
(EN/SERVICE/WTC)
361

GAS DRYER

Model No.
FGR311F

Copyright © 2008 Electrolux Home Products, Inc.
All rights reserved.

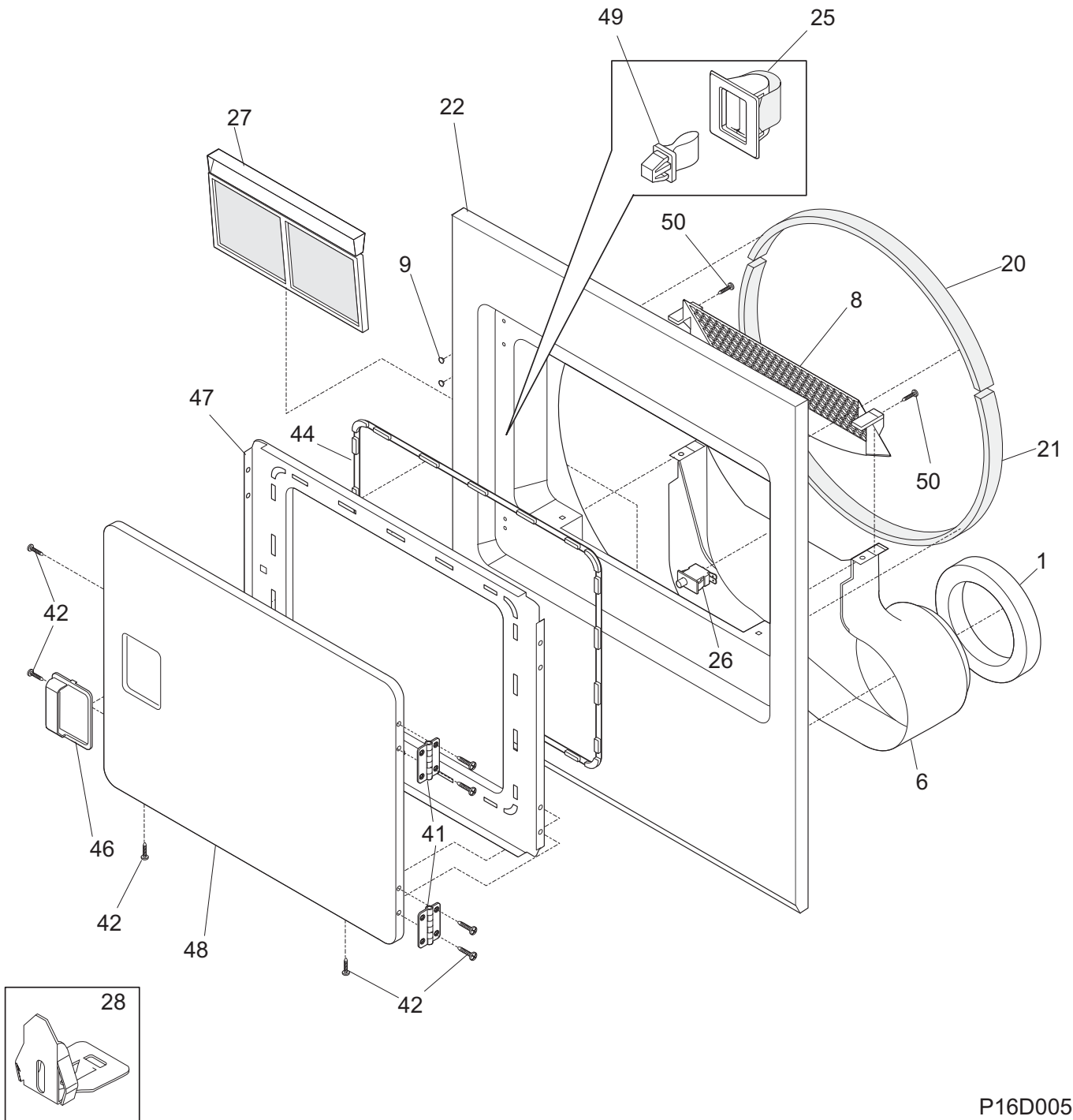
CABINET/DRUM



CABINET/DRUM

POS. NO	PART NO.	DESCRIPTION
5	5303281019	Ball, grounding
6	5303281020	Clip, ball, steel, flat nut
9	131793200	Panel, service access, rear
11	131363200	Cover, terminal block
12	131825900	Bearing, drum support
13	131724300	Bracket, bearing support
14	131205400	Screw, bracket mtg., 10-16B x 1.375, cr/sq drive
15	131776500	Housing, heater, w/duct
17	3204254	Baffle, heater shield
18	131477000	Screw, 10-16AB x 0.375
20	131469100	Bracket, hinge, rear, top panel mtg.
21	134122532	Drum, dryer, galvanized stl., service kit
24	131963900	Glide, drum
29	131382300	Screw, quadrex head, 10-14 x 1.00, vane mtg., special
30	5303201200	Vane, straight
31 #	134501200	Power Cord, electric svce
32	131777700	Shaft, drum support, ballhitch
32*	5303307893	Lubricant, high temp
33 #	3204267	Thermostat, safety
34	131243700	Screw, pan head, 8-18AB x 0.375
37	131952100	Duct, heat
42	134154100	Screw, hex washer head, 10-32 x 0.375, ground
44	134158000	Leveling Leg, screw
64	131704600	Clip, front, cabinet bottom
80	134547800	Screw, 10-16AB x 0.375
* #	5303281153	Rear Bearing Kit, includes 5, 6, 12, 13, 14, 18, 32

FRONT PANEL/LINT FILTER

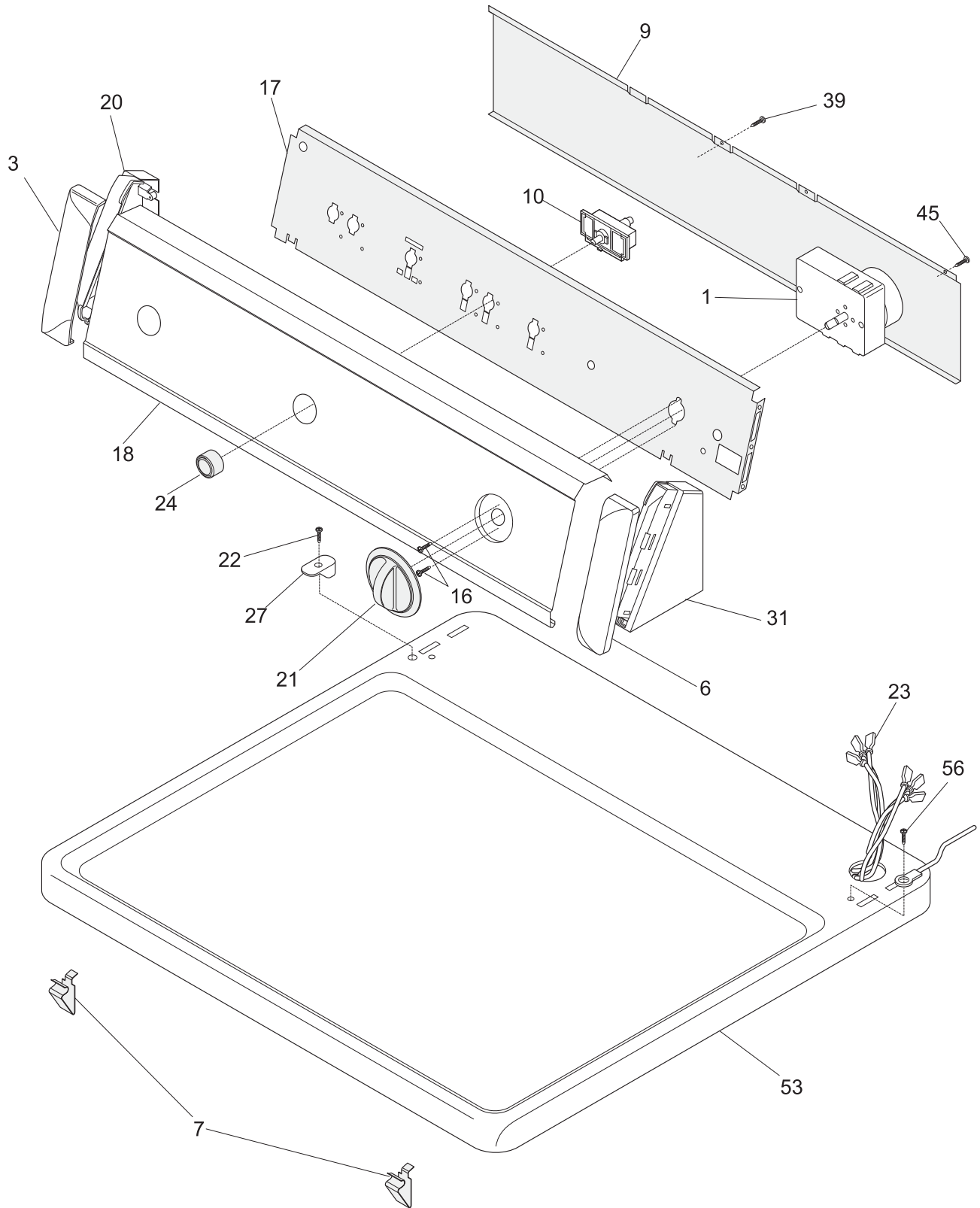


P16D0055

FRONT PANEL/LINT FILTER

POS. NO	PART NO.	DESCRIPTION
1	134417000	Seal, air duct
6	131621900	Duct, air
8	131622202	Cover, lint housing
9	131633200	Plug, white
20	134440200	Seal, felt, upper
20*	5308027429	• Adhesive, high temp
21	134134700	Seal, felt, lower
22	131845912	Panel, front, white, w/lamp hole
22*	131474700	Insulation
22*	131870700	Plug, light hole
25	131658800	Door Catch, upper
26 #	134813600	Switch, door
27	131450300	Trap, lint blade assy
28	134440000	Clip, guide
41	134222900	Hinge, dryer door
42	134156200	Screw, flat head, 8-18AB x 0.44, quad drive
44	131129900	Gasket, door seal
46	131644700	Handle, door, white
47	131844104	Panel, inner door, white
48	131789303	Panel, outer door, white
49	5303211430	Door Strike
50	131303300	Screw, pan head, 10-16AB x 0.500, locking

CONTROLS/TOP PANEL

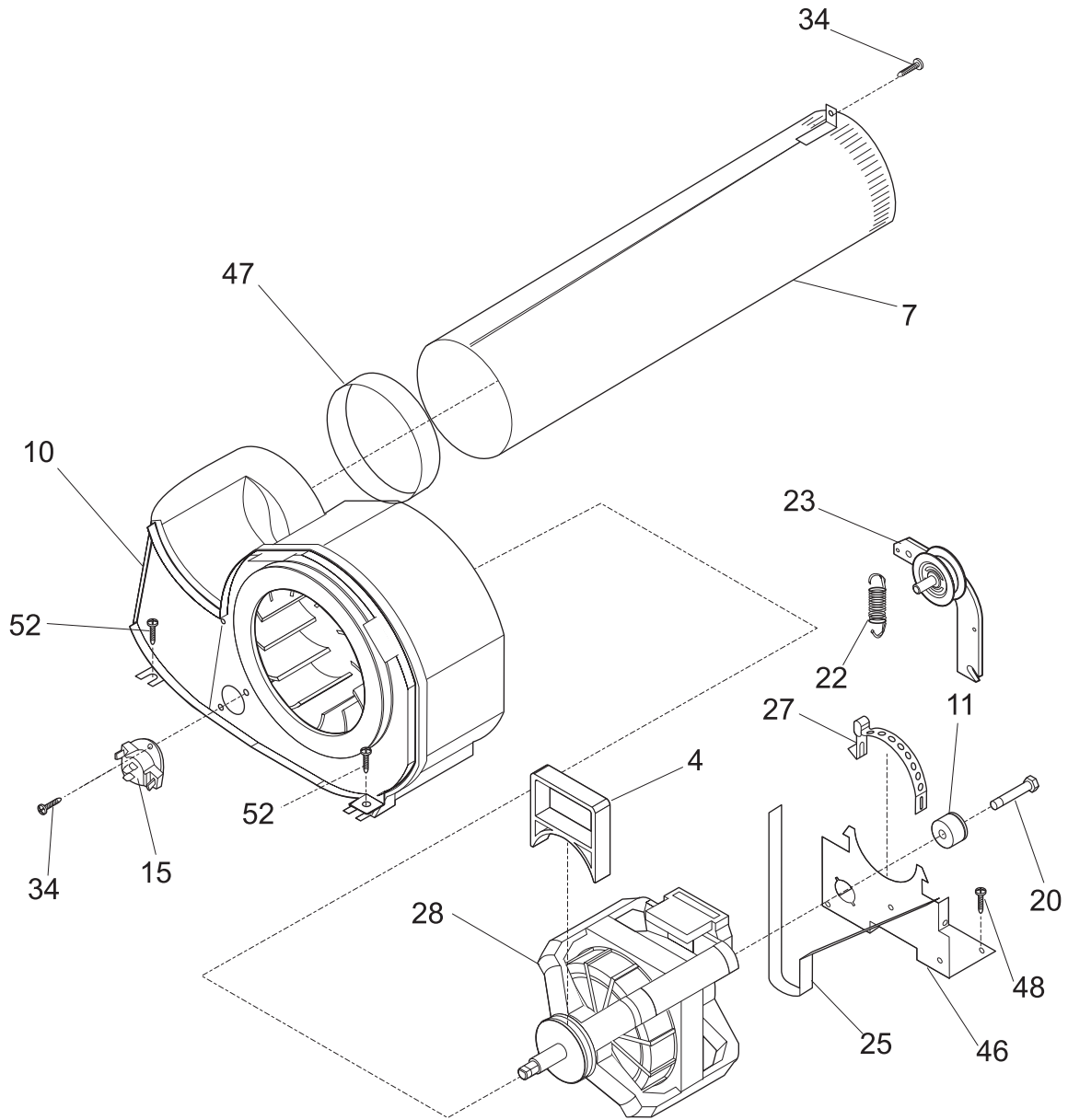


P16C0095

CONTROLS/TOP PANEL

POS. NO	PART NO.	DESCRIPTION
1 #	5303297139	Timer, dryer
3	131122611	Cover, end cap, white, LH
6	131122601	Cover, end cap, white, RH
7	3205821	Clip, top-to-front
9	134088700	Panel, console back
10 #	131469000	Switch, push/start
16	134034300	Screw, pan hd phillips, 8-18B x 0.250
17	134487900	Bracket, control mtg
18	134069700	Panel, trimplate, console front
20	131122714	End Cap, white, LH
21	134011703	Knob, timer, white/gray
22	131266330	Screw, 8-18 x 1.250
23	134004700	Wiring Harness
* #	134101400	• Terminal Block, main
24	131111501	Button, start switch, white, push type
27	131197000	Clip, console mtg
31	131122701	End Cap, white, RH
39	131243700	Screw, pan head, 8-18AB x 0.375
45	131205100	Screw, #8 pan head, 10-10B x 0.500, cr/sq drive
53	134086802	Panel, dryer top, white, console mtg
56	131243800	Screw, pan hd locking, 8-32CA x 0.375, cup point

MOTOR

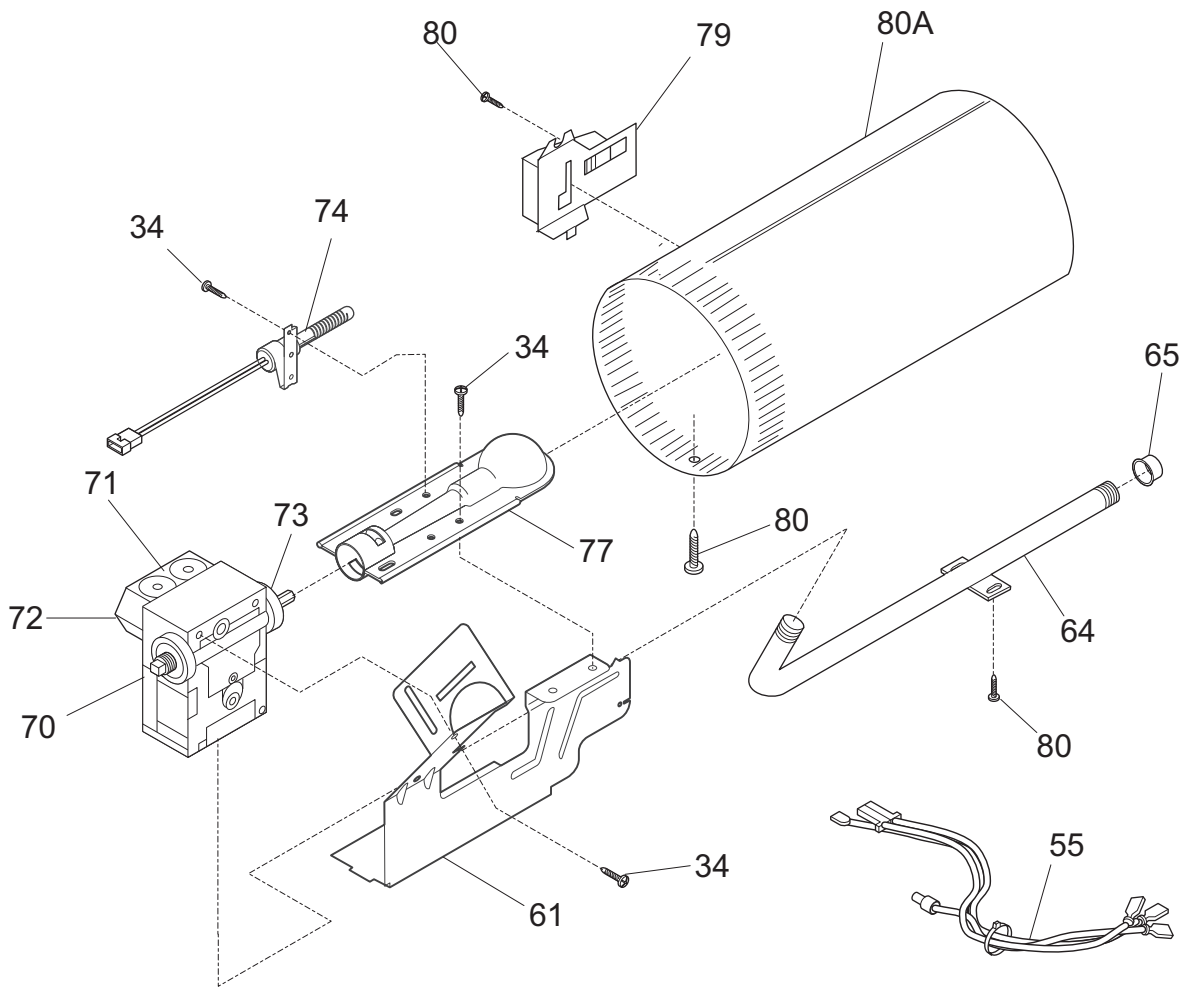


P16M0024

MOTOR

POS. NO	PART NO.	DESCRIPTION
4	131435200	Lock, blower housing
7	131451600	Tube, exhaust, rear, w/mtg bracket
7*	131456800	Tube, exhaust, side/bottom, Optional Kit
10 #	131775600	Blower Assy, housing, w/cover & wheel
11	131749800	Spacer, idler
15 #	5308015398	Thermostat, temp control
20	131017900	Screw, hex head, 1/4-20T x 1.25, spacer mtg., thread cutting
22	131601000	Spring, idler arm
23 #	131863007	Idler Arm Assy, w/pulley
25 #	134503600	Belt, dryer
27	134242400	Clamp, motor mtg.
28 #	131560100	Motor & Pulley Assy
34	131243700	Screw, pan head, 8-18AB x 0.375
46	134203400	Bracket, motor mtg
47	131633300	Seal, exhaust tube
48	134547800	Screw, 10-16AB x 0.375
52	131202300	Screw, 10-16AB x 0.625

BURNER



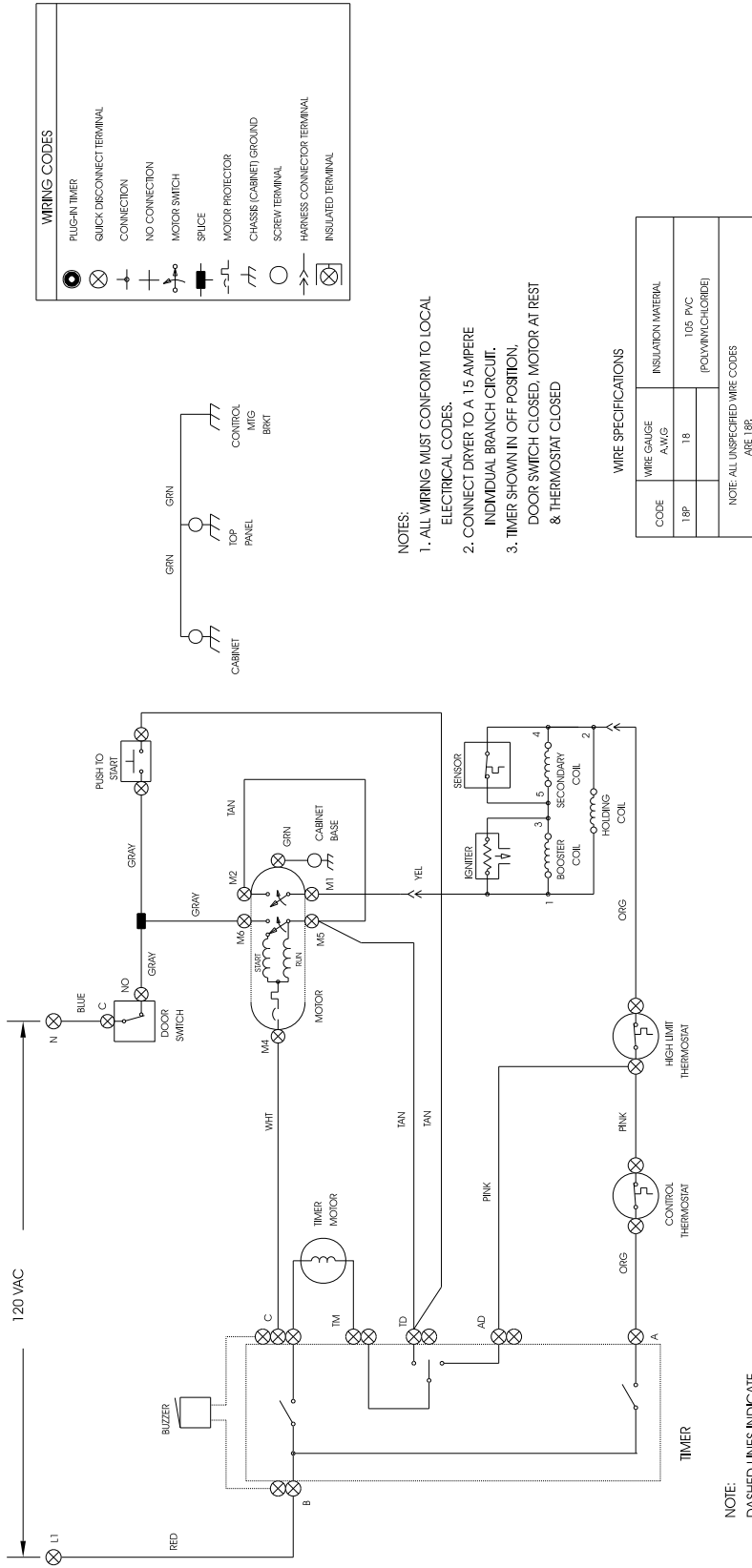
P16B0017

BURNER

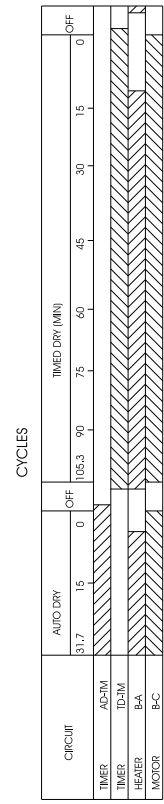
POS. NO	PART NO.	DESCRIPTION
34	131243700	Screw, pan head, 8-18AB x 0.375
55 #	134389600	Wiring Harness, gas valve
61	134122000	Bracket, burner mtg
64	137011800	Pipe, gas, right angle
65	08015112	Cap, pipe
70 #	5303207409	Valve, gas
71 #	5303307291	Coil, secondary
72 #	5303307292	Coil, booster
73 #	5303207410	Orifice, natural gas, size 44
74 #	134192000	Igniter Assy
77 #	134197700	Burner, gas
79 #	5303281135	Sensor, radiant
80	134547800	Screw, 10-16AB x 0.375
80A#	134200801	Tube, burner, riveted

WIRING DIAGRAM

CAUTION: DISCONNECT ELECTRIC CURRENT BEFORE SERVICING. LABEL ALL WIRES PRIOR TO DISCONNECTION WHEN SERVICING CONTROLS. WIRING ERRORS CAN CAUSE IMPROPER AND DANGEROUS OPERATION. VERIFY PROPER OPERATION AFTER SERVICING.



BAR CHART TO THE LEFT REPRESENTS ONE COMPLETE REVOLUTION OF TIMER SHAFT. SHADED PORTION OF BAR CHART INDICATES THE PROPORTIONAL TIMES THAT INTERNAL TIMER CONTACTS ARE CLOSED.



NOTE: DASHED LINES INDICATE CIRCUITS THAT ARE NOT IN ALL MODELS.

WIRING DIAGRAM
P/N 131518600A