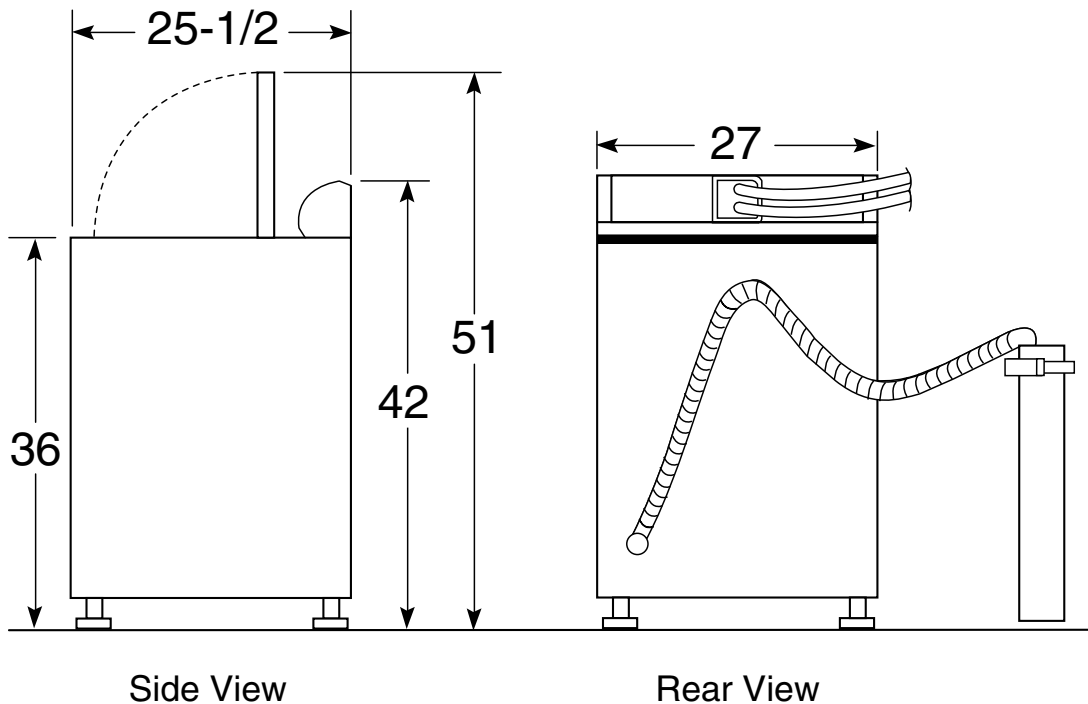




GE Appliances

WHRE5260E – GE® 3.5 Cu. Ft. Capacity King-size Washer with Stainless Steel Basket

Dimensions (in inches)



Circuit Requirements:

An individual, properly-grounded branch circuit, with a three-prong grounding-type receptacle, protected by a 15 or 20 amp circuit breaker or a time-delay fuse, is required.

Electrical Rating:

115V, 60Hz, 10A

Washer Note:

Washer wall outlet must be located within 36" of service cord entry. Wall outlet must not be located behind dryer.

Installation Information:

For complete information, see installation instructions packed with your washer.

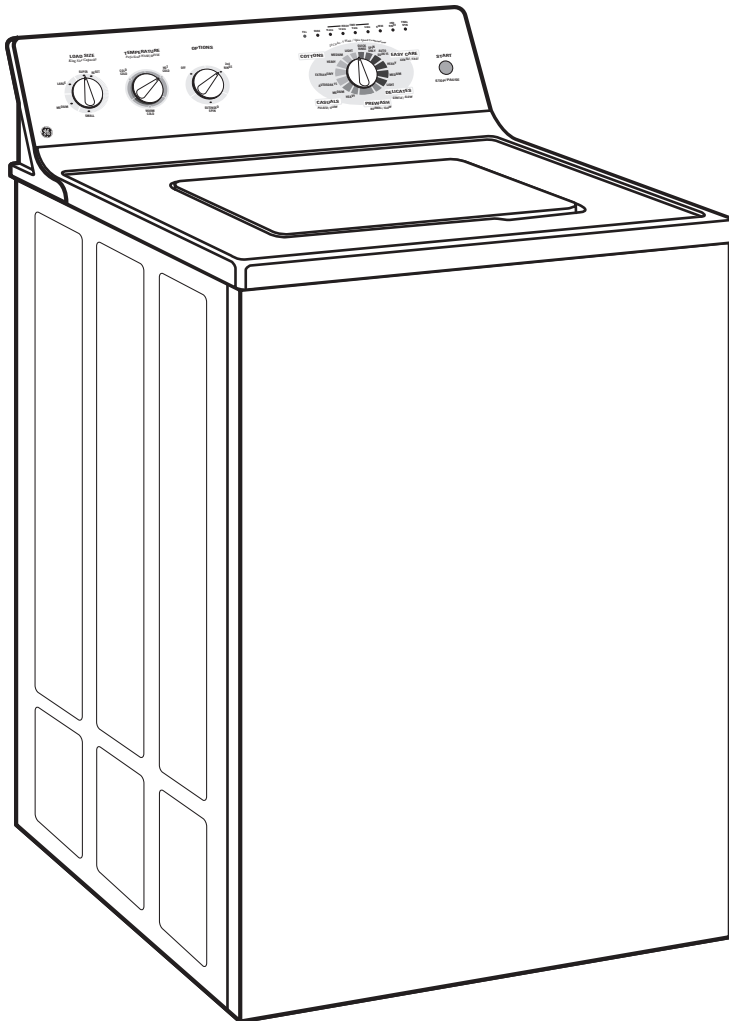


As an ENERGY STAR® partner, GE has determined that this product meets the ENERGY STAR guidelines for energy efficiency.



GE Appliances

WHRE5260E – GE® 3.5 Cu. Ft. Capacity King-size Washer with Stainless Steel Basket



Features and Benefits

- ENERGY STAR® Qualification – Means less energy waste and lower utility bills
- Rotary electronic controls with cycle status lights – Make it easy to select and monitor wash cycles
- Five wash/spin speed combinations – Speeds are matched to fabric type for better clothes care
- 26 wash cycles – Deliver excellent cleaning results every time
- Stain Wash Cycle – Tackles the toughest stains, from fresh grass marks to food spills
- PerfectTemp – Regulates wash water temperatures for proper fabric care
- Bleach and fabric softener dispensers – Solutions are automatically mixed with wash water for bright, soft-to-the-touch results
- Auto Soak – Soaks dirty clothes for 15 minutes before the wash cycle, so there's no need for an extra cycle
- Auto 2nd Rinse – Helps to protect delicate fabrics and sensitive skin
- Extended Spin – Longer spin means less time drying
- Model WHRE5260EWW – White on white
- Model WHRE5260ECC – Bisque on bisque



As an ENERGY STAR® partner, GE has determined that this product meets the ENERGY STAR guidelines for energy efficiency.

Specification Created 1/04

360164