

Frigidaire

Factory Parts Catalog

Product No.	FTF530ES1
Series	Frigidaire
Market	North America
Color	white
Volts	120
Wiring Diagram	134576100
Owner's Guide	134567400
Energy Guide	134487400
Installation Instructions	134127900
Operating Instructions	134576700



Electrolux Major Appliances
North & Latin America
P.O. BOX 212378
AUGUSTA, GA 30917

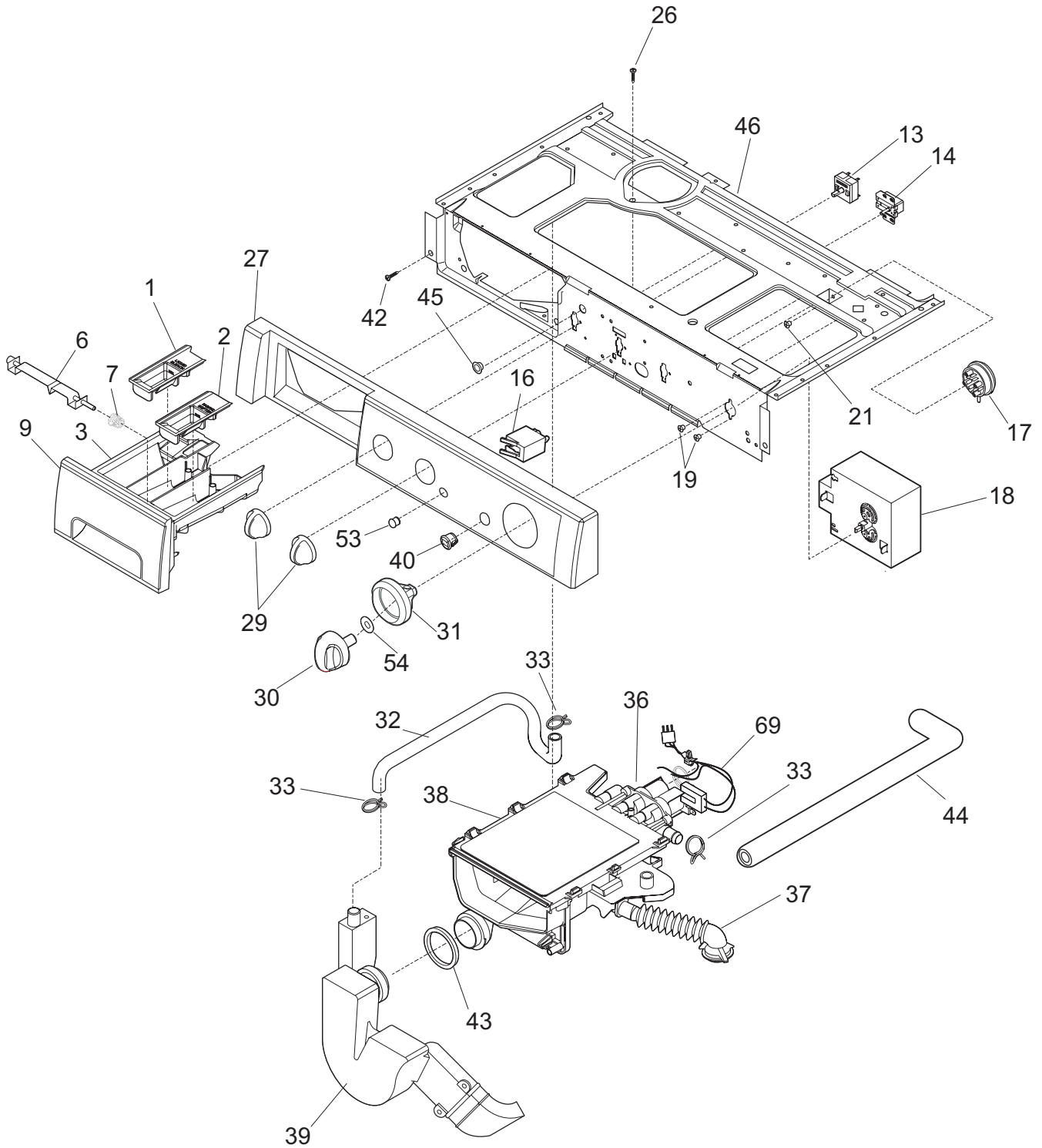
Publication No.
5995445086
05/08/18
(EN/SERVICE/KC)
361

**FRONT-LOAD
WASHING MACHINE**

Model No.
FTF530E

Copyright © 2005 Electrolux Home Products, Inc.
All rights reserved.

CONTROL PANEL

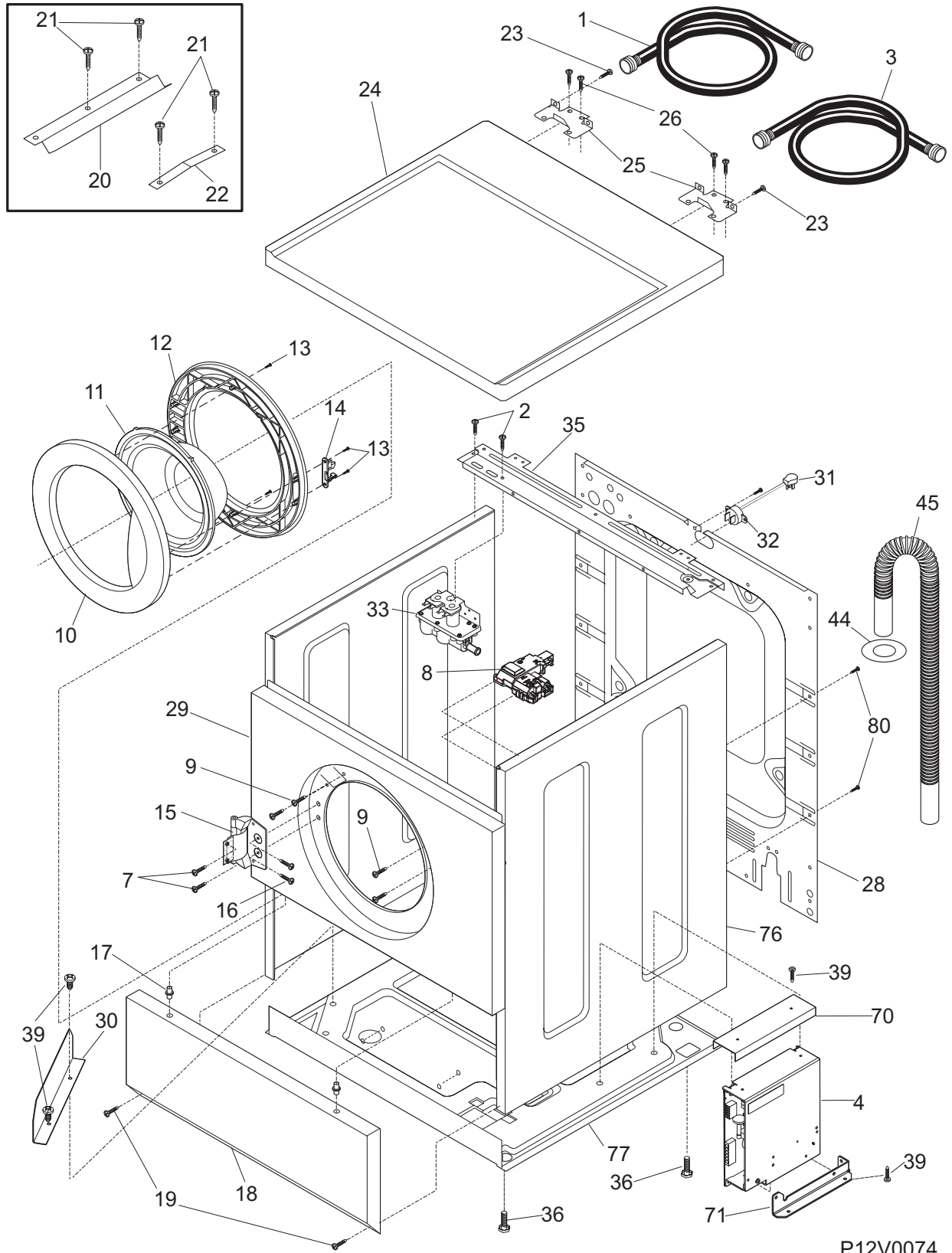


P12C0346

CONTROL PANEL

POS. NO	PART NO.	DESCRIPTION
1	131272100	Cover, bleach
2	131272000	Cover, softener
3	131271910	Drawer, dispenser
6	131374500	Latch, disp drawer hdl
7	131427500	Spring
9	131691207	Handle, disp drawer, w/trim & tape
13 #	131857500	Switch, temp selector, 3 posn rotary
14 #	134126700	Buzzer, adjustable
16 #	131724700	Lamp, status light
17 #	134431101	Switch, pressure
18 #	134378400	Timer
19	131243800	Screw, pan hd locking, 8-32CA x 0.375, cup point
21	131243700	Screw, pan head, 8-18AB x 0.375, cr/sq drive
26	131823400	Screw, 8-18 x 2.00
27	131887207	Console, frame/trim assy
29	131761704	Knob, rotary, white/dark gray
30	134191800	Knob, timer
31	131853900	Pointer, timer, white, gray indicator
32	131786100	Hose, dispenser
33	131306216	Clamp
36 #	131974700	Valve, dispenser, w/seal
37	131271600	Hose, tub
38	131803710	Dispenser Assy
39	131863300	Siphon
39*	131307900	Clamp, siphon/bellows
40 #	134040800	Switch, on/off, white, round
42	131168200	Screw, pan head, 8-18B x 0.31
43	131749200	Gasket, seal
44	131786000	Hose, dispenser
45	5303321107	Bushing, idler
46	134191412	Panel, control mtg., wing bend
*	131931201	Dampener, vibration, 3.5 x 2 x 2 in., foam
53	131724800	Lens, status light, clear
54	5308015493	Spacer, washer, timer shaft
69 #	134547500	Wiring Harness, main

CABINET/TOP

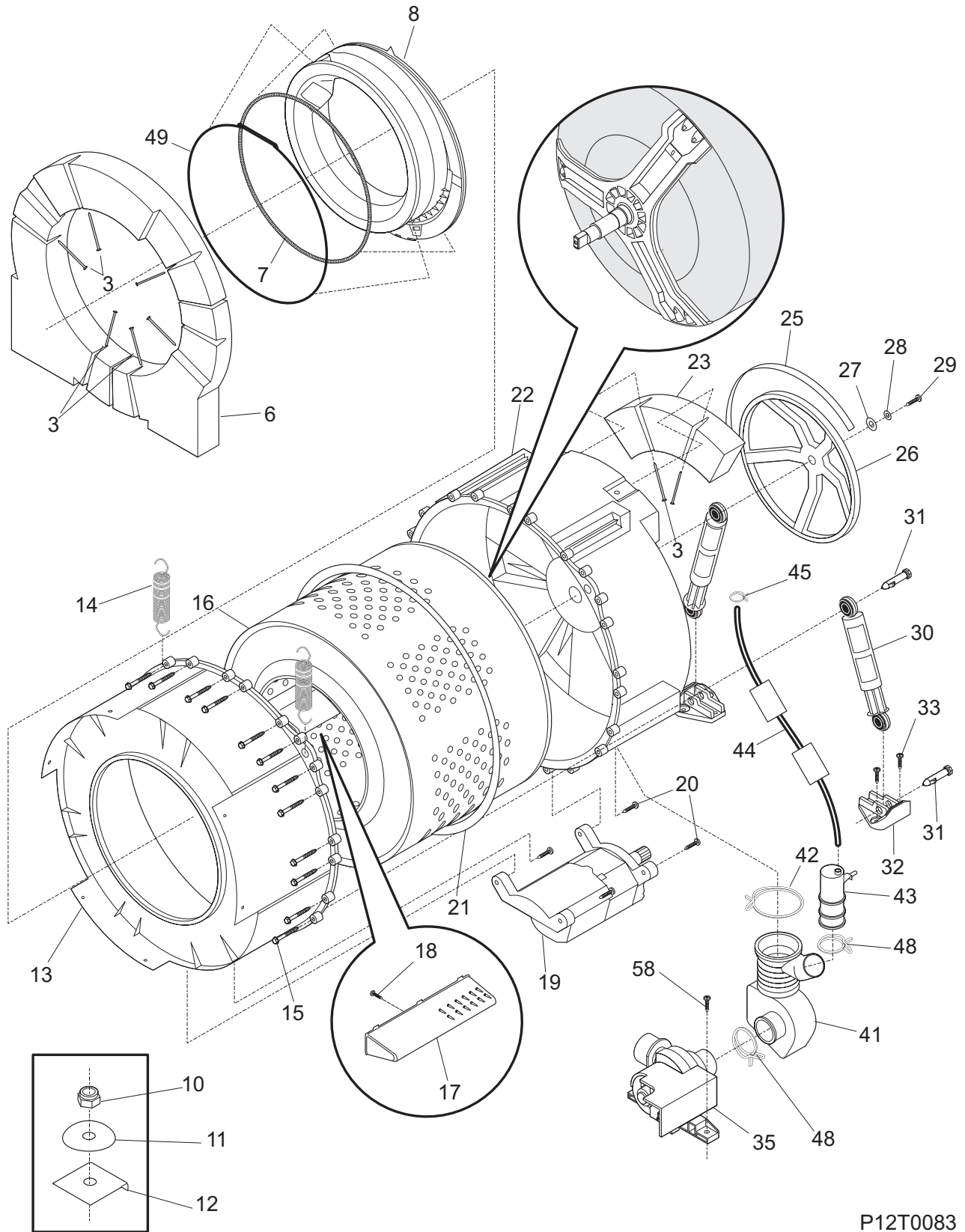


P12V0074

CABINET/TOP

POS. NO	PART NO.	DESCRIPTION
1	131279602	Hose, water inlet, cold
2	131168200	Screw, pan head, 8-18B x 0.31
3	131279603	Hose, water inlet, hot
4 #	134149200	Controller Assy, speed, w/base & shield
7	131205300	Screw, 10-16 x 0.750
8 #	131763200	Door Lock/Switch Assy
9	131303300	Screw, pan head, 10-16AB x 0.500, locking
10	131278700	Frame, outer door, white
11	131278800	Panel, door glass
12	131278900	Frame, inner door, white
13	131302901	Screw, 10-16 x 0.750
14	131763310	Striker, door/lock/sw
15	134264600	Hinge, door
16	131696300	Screw, quad pan head, 10-16 x 0.312
17	131346400	Pin, panel locator
18	131279300	Panel, service, white, kick plate
19	131358400	Screw, hex washer hd, 8-18AB x 1.125
20	131460900	Bracket, top panel mtg., front
21	131243700	Screw, pan head, 8-18AB x 0.375, cr/sq drive
22	131279500	Retainer, spring steel
23	131243800	Screw, pan hd locking, 8-32CA x 0.375, cup point
24	134086842	Panel, white, top
25	131668200	Bracket, top panel mtg.
26	134178901	Screw, 8-18AB x 0.455
28	131978500	Panel, back
29	131752030	Panel, cabinet front, white
30	131859600	Shield, overflow
31 #	134501000	Power Cord, electric svce
32	5303209428	Bushing, power cord
33 #	5303207418	Valve, water
35	131732902	Bracket, reinforcement, top rear
36	131841600	Leveling Leg Assy, bolt, pad & nut
39	134178900	Screw, Quad, 8-18AB x 0.455
44	131707800	Ring, drain hose
45	134049200	Hose, drain
70	134048600	Shield, drip protector
71	134048400	Base, controller mtg
76	134390701	Panel, side, white, RS/LS, (2)
77	131458240	Base Plate
80	134547800	Screw, 10-16AB x 0.375
*	5303937142	Shipping Brace Kit

MOTOR/TUB



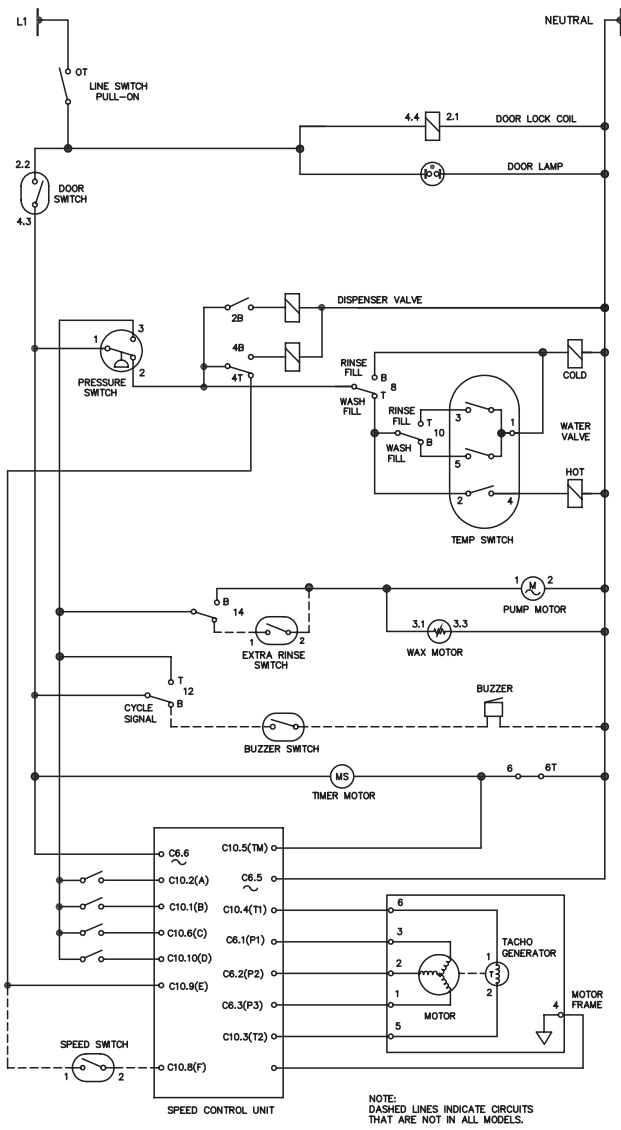
P12T0083

MOTOR/TUB

POS. NO	PART NO.	DESCRIPTION
3	131793302	Bolt, carriage, 1/4-20 x 4.00
6	131975300	Counterweight, one piece
7	131277300	Spring, boot retainer
8	134177600	Bellows, door boot
10	131304700	Nut, hex, 1/4-20 UNC-2B, (2)
11	131276900	Washer, Bellville, spring steel
12	131793500	Plate, counterweight
13	131618600	Shell, outer tub, front
14	134144700	Spring Assy, suspension, w/sleeves
14*	131592200	Sleeve, protector, upr spring hook
14*	131560000	Sleeve, protector, lwr spring hook
15	131303900	Screw, hex washer head, 1/4-10A x 2.165
16	131618500	Drum Assy, spin basket
17	131274600	Vane
18	131302800	Screw, 10-16AB x 0.375
19 #	131770600	Motor
20	131303500	Screw, hex washer head, 12-14AB x 1.50, motor mtg.
21	134146100	O-ring, tub
22	131462800	Shell, outer tub, rear, with bearing
23	134125900	Counterweight, drum rear
25 #	134051000	Belt, drive, 6-rib
26 #	131883400	Pulley, drum drive, large, rear
27	131304400	Washer, 0.41 x 1.50, 0.12 thick
28	131304500	Washer, lock, 3/8
29	131303700	Screw, pulley mtg., m10 x 0.92, metric
30	131268200	Shock Absorber, air, stabilizer
31	131268300	Pin, shock mtg.
32	131268100	Bracket, shock mtg.
33	134532200	Screw, 10-16AB x 0.500
35 #	134051100	Pump, drain
41	134044200	Coin Trap
42	131333101	Clamp
43	131277500	Chamber, air
44	131277600	Hose, air pressure
45	131306202	Clamp, hose
48	131306234	Clamp, pump to trap
49	134266500	Clamp, bellows/boot, 0.059 OD wire, spring held
58	134160900	Screw, quadrex, 10-16AB X 0.750
*	134487400	Energy Guide

WIRING DIAGRAM

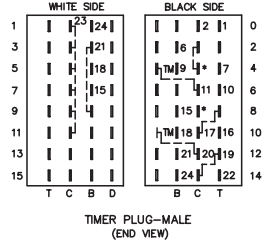
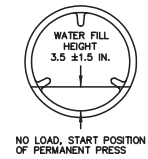
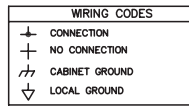
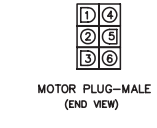
CIRCUIT	REGULAR										DELICATE			OFF	
	HEAVY	NORMAL	PERM. PRESS	LIGHT	RINSE & SPIN	FINAL SPIN	WASH	RINSE & SPIN	FINAL SPIN	OFF	OFF	OFF	OFF	OFF	
0 2	T	B	T	B	T	B	T	B	T	B	T	B	T	B	
1 23	T	B	T	B	T	B	T	B	T	B	T	B	T	B	
2 5	T	B	T	B	T	B	T	B	T	B	T	B	T	B	
3 23	T	B	T	B	T	B	T	B	T	B	T	B	T	B	
4 5	T	B	T	B	T	B	T	B	T	B	T	B	T	B	
5 23	T	B	T	B	T	B	T	B	T	B	T	B	T	B	
6 11	T	B	T	B	T	B	T	B	T	B	T	B	T	B	
7 23	T	B	T	B	T	B	T	B	T	B	T	B	T	B	
8 14	T	B	T	B	T	B	T	B	T	B	T	B	T	B	
9 23	T	B	T	B	T	B	T	B	T	B	T	B	T	B	
10 17	T	B	T	B	T	B	T	B	T	B	T	B	T	B	
11 23	T	B	T	B	T	B	T	B	T	B	T	B	T	B	
12 20	T	B	T	B	T	B	T	B	T	B	T	B	T	B	
14 19	T	B	T	B	T	B	T	B	T	B	T	B	T	B	



ELECTRICAL COMPONENT	RESISTANCE Ω @ 77° F
WATER VALVE SOLENOIDS	880 ±10%
DOOR LOCK SOLENOID	380 ±10%
TIMER MOTOR	2425 ±6%
PUMP MOTOR	15 ±7%
DISPENSER VALVE SOLENOIDS	1100 ±7%
MOTOR	
M1 TO M2	2.6 ±7%
M2 TO M3	2.6 ±7%
M1 TO M3	2.6 ±7%
M5 TO M6	184 ±7%

WASH/RINSE	CIRCUIT
1-3	1-5
2-4	2-4
C/C	X
W/C	X
W/W	X
H/C	X

X=CONTACTS CLOSED
* NOT ON ALL MODELS



WARNING TO REDUCE THE RISK OF ELECTRICAL SHOCK DISCONNECT THIS APPLIANCE FROM THE POWER SUPPLY BEFORE ATTEMPTING ANY USER MAINTENANCE. TURNING THE CONTROLS TO THE OFF POSITION DOES NOT DISCONNECT THIS APPLIANCE FROM THE POWER SUPPLY.

WIRING DIAGRAM P/N 134576100

WIRING DIAGRAM

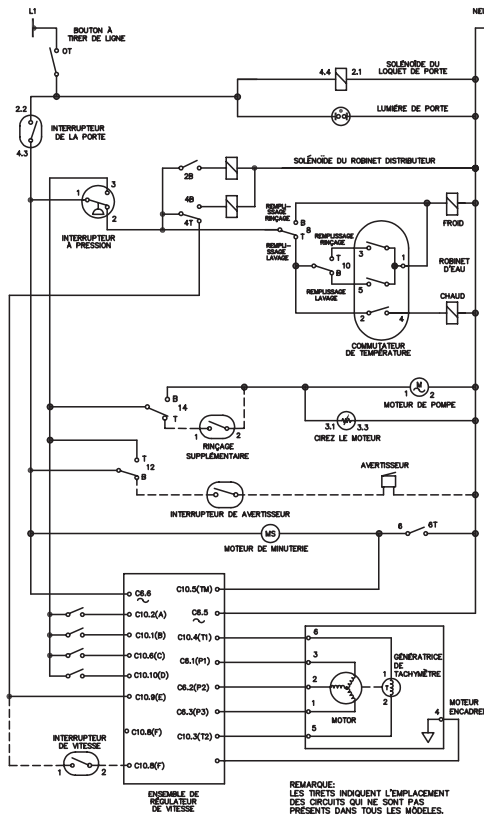
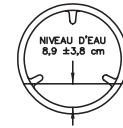
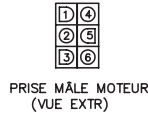
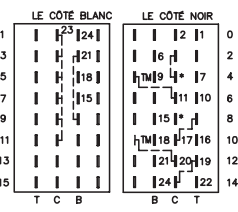


TABLEAU DE RESISTANCE DES COMPOSANTS		
COMPOSANT ELECTRIQUE	RESISTANCE Ω @ 25° C	
SOLENOÏDE DU ROBINET D'EAU	880 ±10%	
SOLENOÏDE DU LOQUET DE PORTE	380 ±10%	
MOTEUR DE MINUTERIE	2425 ±8%	
MOTEUR DE POMPE	15 ±7%	
SOLENOÏDE DU ROBINET DISTRIBUTEUR	1100 ±7%	
MOTEUR	M1 VERS M2	2.6 ±7%
	M2 VERS M3	2.6 ±7%
	M1 VERS M3	2.6 ±7%
	M5 VERS M6	184 ±7%



COMMUTATEUR DE TEMPERATURE	
CIRCUIT	
LAVAGE/RINÇAGE	1-3 1-5 2-4
F/F	0 X 0
T/F	0 X X
T/T	X X X
* C/F	0 0 X



AVERTISSEMENT POUR RÉDUIRE LE RISQUE DE CHOC ÉLECTRIQUE, DÉBRANCHER CET APPAREIL DE L'ALIMENTATION AVANT DE PROCÉDER À L'ENTRETIEN. EN TOURNANT LES COMMANDES À LA POSITION ARRÊT, L'ON NE COUPE PAS L'ALIMENTATION ÉLECTRIQUE DE L'APPAREIL.

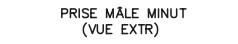


SCHÉMA DE CÂBLAGE NO. DE PIÈCE 134576100

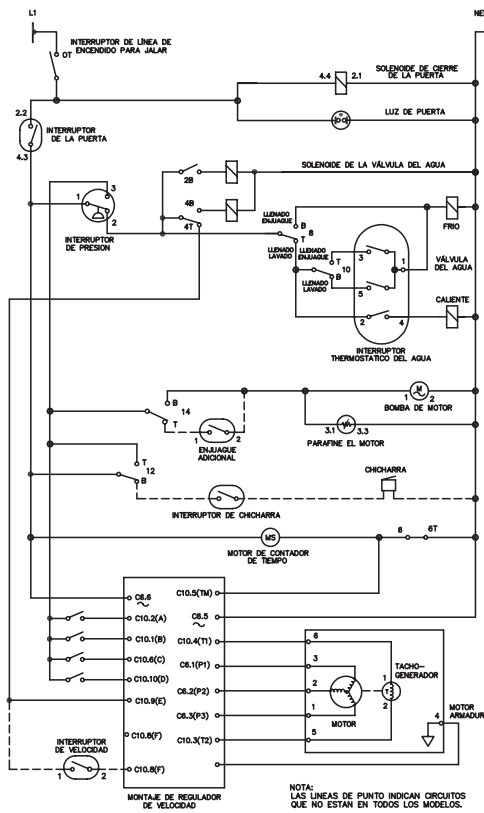
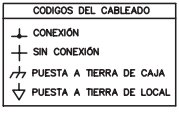
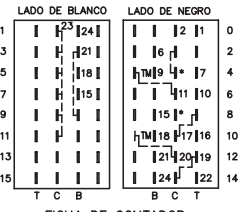


TABLA DE RESISTENCIA DE LOS COMPONENTES		
COMPONENTE ELÉCTRICO	RESISTENCIA Ω @ 25° C	
SOLENOÏDE DE LA VÁLVULA DEL AGUA	880 ±10%	
SOLENOÏDE DE CIERRE DE LA PUERTA	380 ±10%	
MOTOR DE CONTADOR DE TIEMPO	2425 ±8%	
BOMBA DE MOTOR	15 ±7%	
SOLENOÏDE DE LA VÁLVULA DEL DISTRIBUIDOR	1100 ±7%	
MOTOR	M1 A M2	2.6 ±7%
	M2 A M3	2.6 ±7%
	M1 A M3	2.6 ±7%
	M5 A M6	184 ±7%



INTERRUPTOR TERMOSTÁTICO DEL AGUA	
CIRCUITO	
LAVADO/ENJABUQUE	1-3 1-5 2-4
F/F	0 X 0
T/F	0 X X
T/T	X X X
* C/F	0 0 X



ADVERTENCIA PARA REDUCIR EL RIESGO DE CHOCOS ELÉCTRICOS, DESENCHUFE ESTE APARATO DE LA ALIMENTACIÓN ELÉCTRICA ANTES DE EFECTUAR EL MANTENIMIENTO. AL GIRAR LOS CONTROLES A LA POSICIÓN OFF (APAGADO) NO SE CORTA LA ALIMENTACIÓN ELÉCTRICA AL ARTEFACTO.

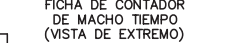


DIAGRAMA DE CONEXIONES NO. DE PIEZA 134576100