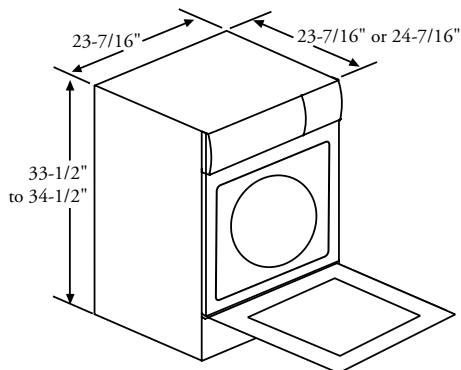


INSTALLATION

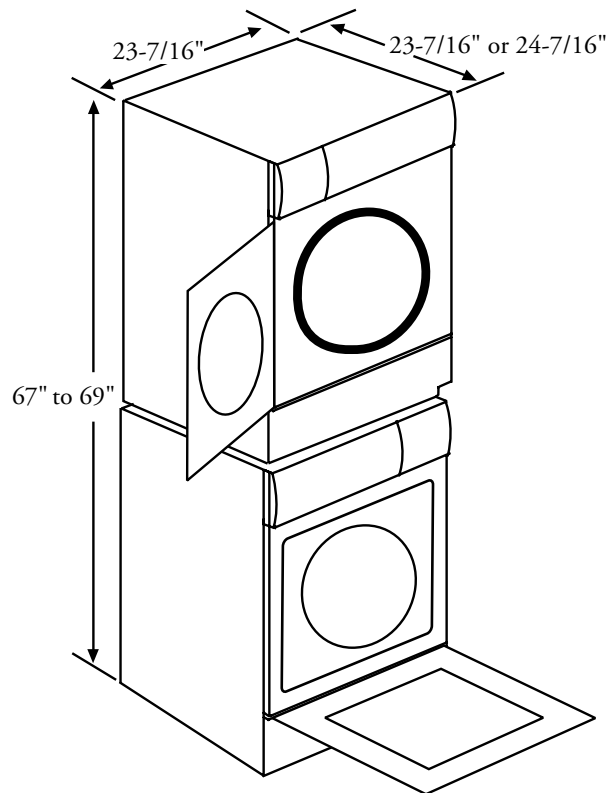
Laundry

Washers



Depth with Door Open
 W600 & W640 — 36-3/8"
 W620 & W660 — 42-3/8"

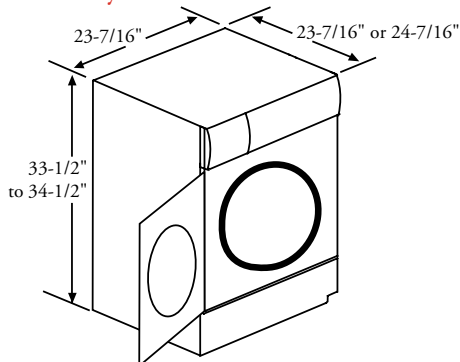
Depth with Door Closed
 W600 & W620 — 24-7/16"
 W640 & W660 — 23-7/16"



Depth with Door Open
 46-1/16"

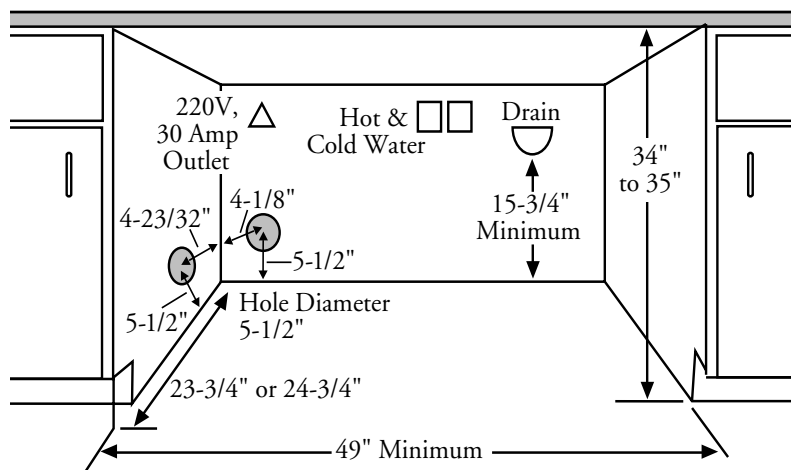
Depth with Door Closed
 T700 & T720 — 24-7/16"
 T760 & T780 — 23-7/16"

Dryers



Under Counter Installations

These units can be installed in free-standing installations. This shows the traditional built-in layout: dryer on left and washer on right. To reverse this, simply reverse the installation specs. These units can also be built in under a 34" to 35" high counter. The minimum counter width is 49" for a pair. This 49" width allows 1/2" of space on the outside edges and between the units, otherwise units may bump wall/cabinet or each other during spin cycles. This also allows for sufficient air circulation for dryer.



Electrical, Water And Code Requirements

The washers have a 220 V line that plugs into an ASKO dryer or a standard 220 V, 20 amp single phase outlet. ASKO dryers plug into standard 220V, 30 amp circuit. The washers connect to the cold-water outlet. The water pressure must be between 15 – 146 PSI. Second floor (above grade) installations must meet all local building codes.

See Use & Care Guide for detailed installation instructions.