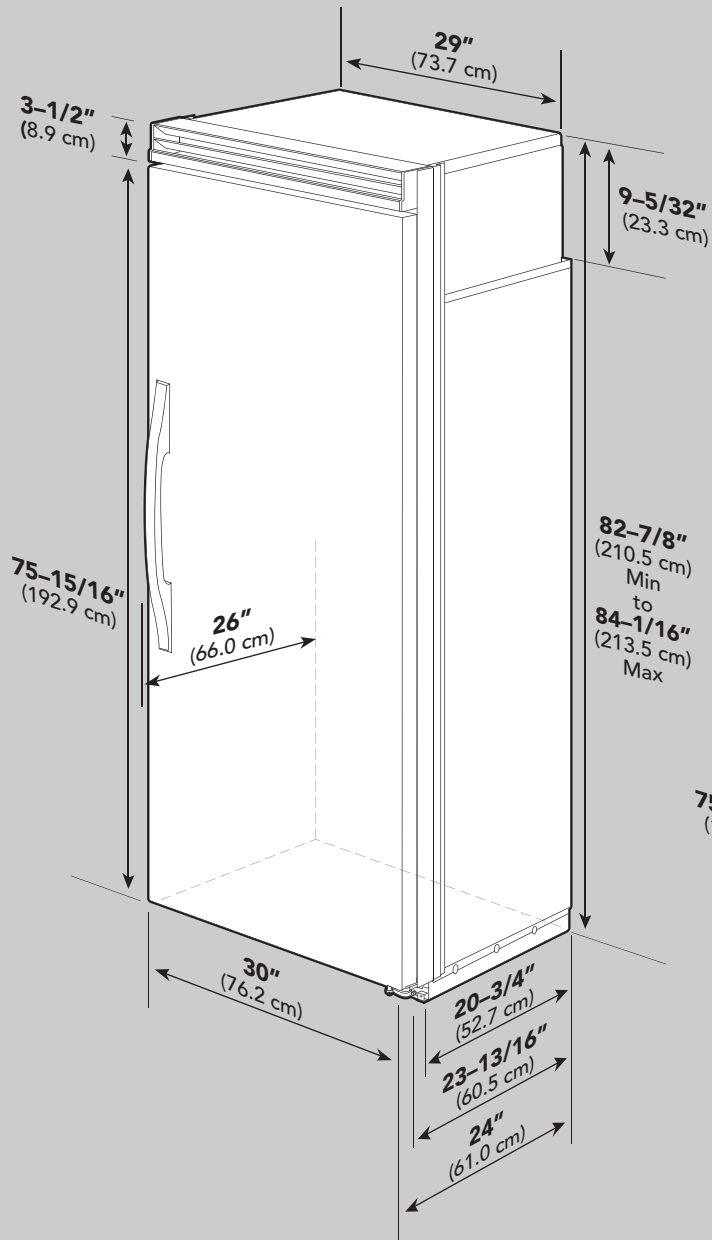
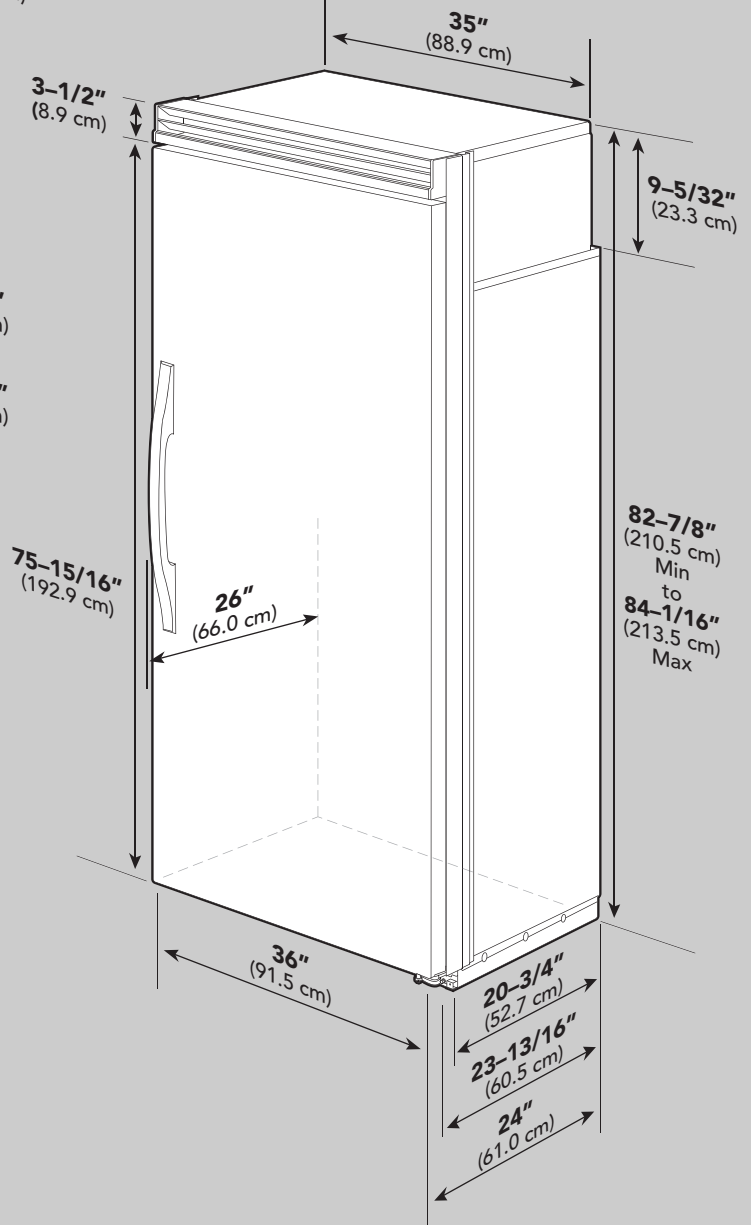


Dimensions (Designer All Refrigerator/Freezer)

30" Designer



36" Designer



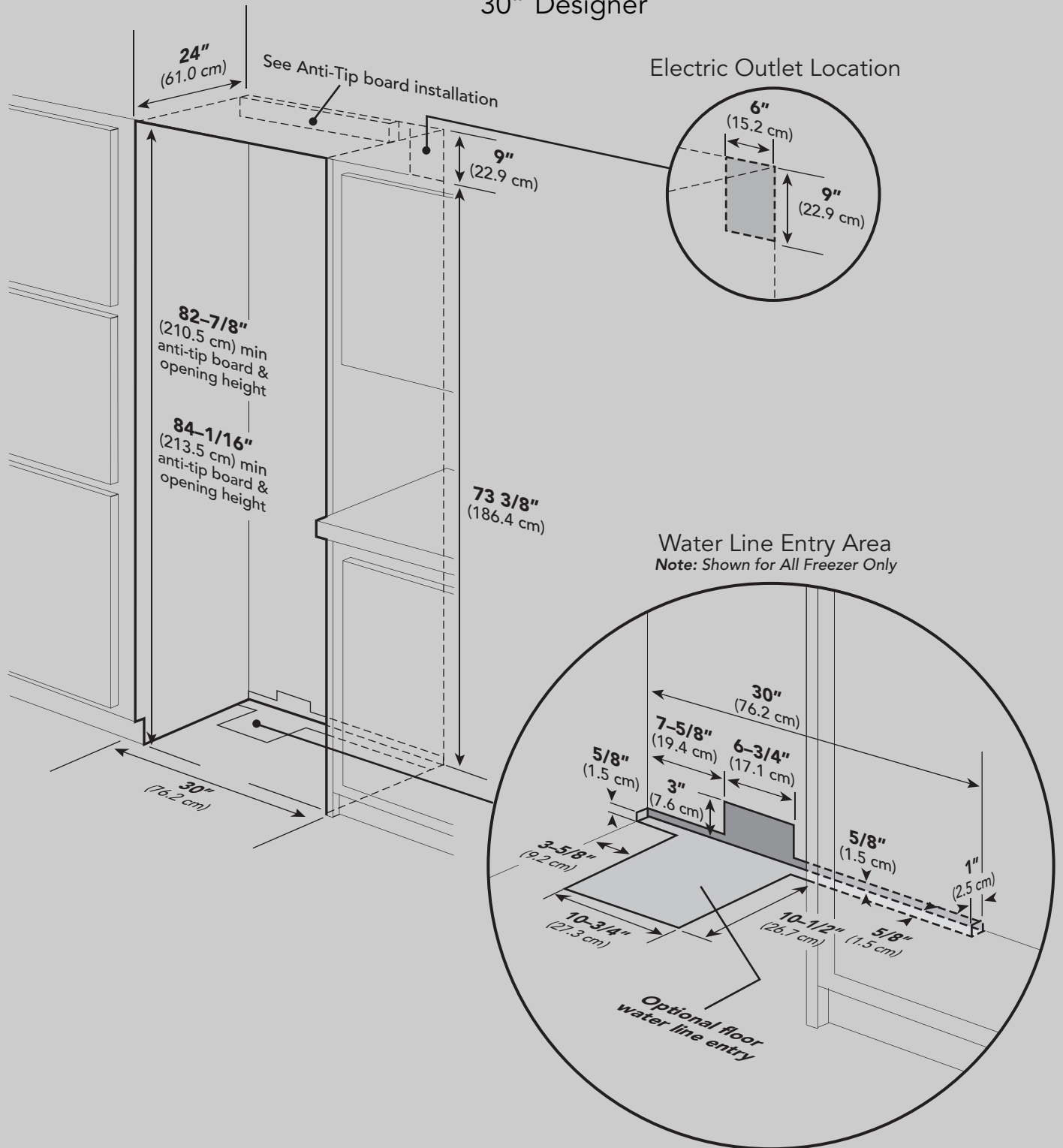
Specifications (Designer All Refrigerator/Freezer)

30" All Refrigerator/Freezer		
Description	DDFB304	DDRB304
Overall Width	30" (76.2 cm)	
Overall Height from Bottom	Min. 82 3/4" (210.2 cm) to Max. 84 1/16" (213.5 cm)	
Overall Depth from Rear	To front edge of side trim: 23 13/16" (60.5 cm) To front of top grille: 24" (61.0 cm) To front of handle: 26" (66.0 cm)	
Cutout Width	30" (76.2 cm)	
Cutout Height	Min. 82 7/8" (210.5 cm) to Max. 84 1/16" (213.5 cm)	
Cutout Depth	Min. 24" (61.0 cm)	
Electrical Requirements	115 volt, 60 Hz, 15 amp dedicated circuit; 3-wire cord with grounded 3-prong plug attached to product	
Maximum Amp Usage	9.1 amps	5.7 amps
Inlet Water Requirements	1/4" copper tubing inlet waterline; minimum 20 psi; maximum 120 psi	N/A
Overall Interior Dimensions Total Capacity	15.9 cu. ft. (450 liters)	18.2 cu. ft. (516 liters)
Approximate Shipping Weight	525 lbs. (236.3 kg)	495 lbs. (222.8 kg)

36" All Refrigerator/Freezer		
Description	DDFB364	DDRB364
Overall Width	36" (91.5 cm)	
Overall Height from Bottom	Min. 82 3/4" (210.2 cm) to Max. 84 1/16" (213.5 cm)	
Overall Depth from Rear	To front edge of side trim: 23 13/16" (60.5 cm) To front of top grille: 24" (61.0 cm) To front of handle: 26" (66.0 cm)	
Cutout Width	36" (91.5 cm)	
Cutout Height	Min. 82 7/8" (210.5 cm) to Max. 84 1/16" (213.5 cm)	
Cutout Depth	Min. 24" (61.0 cm)	
Electrical Requirements	115 volt, 60 Hz, 15 amp dedicated circuit; 3-wire cord with grounded 3-prong plug attached to product	
Maximum Amp Usage	9.5 amps	6.5 amps
Inlet Water Requirements	1/4" copper tubing inlet waterline; minimum 20 psi; maximum 120 psi	N/A
Overall Interior Dimensions Total Capacity	19.1 cu. ft. (541 liters)	22.8 cu. ft. (646 liters)
Approximate Shipping Weight	580 lbs. (261.0 kg)	555 lbs. (249.8 kg)

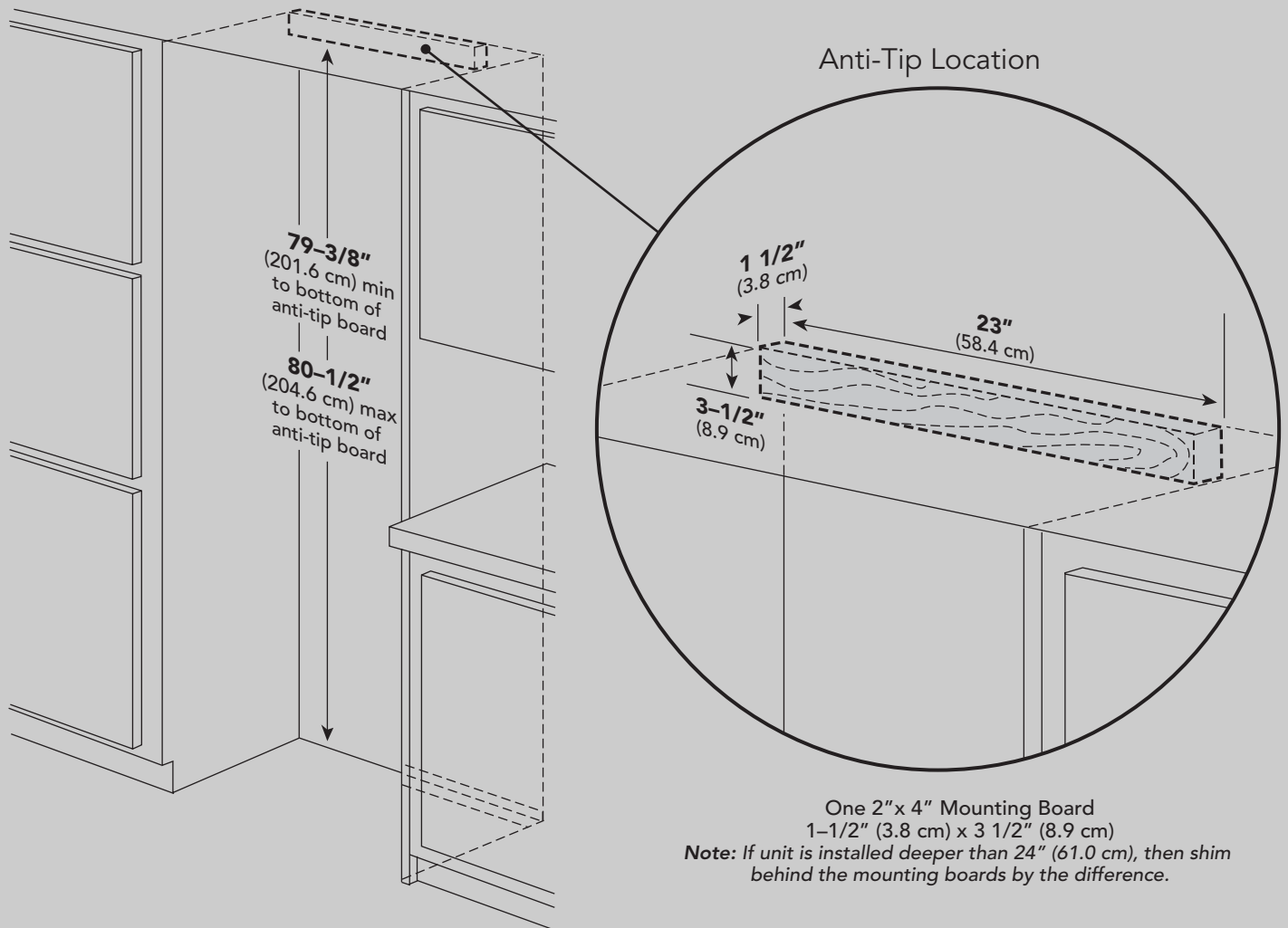
Cutout Dimensions (Designer All Refrigerator/Freezer)

30" Designer



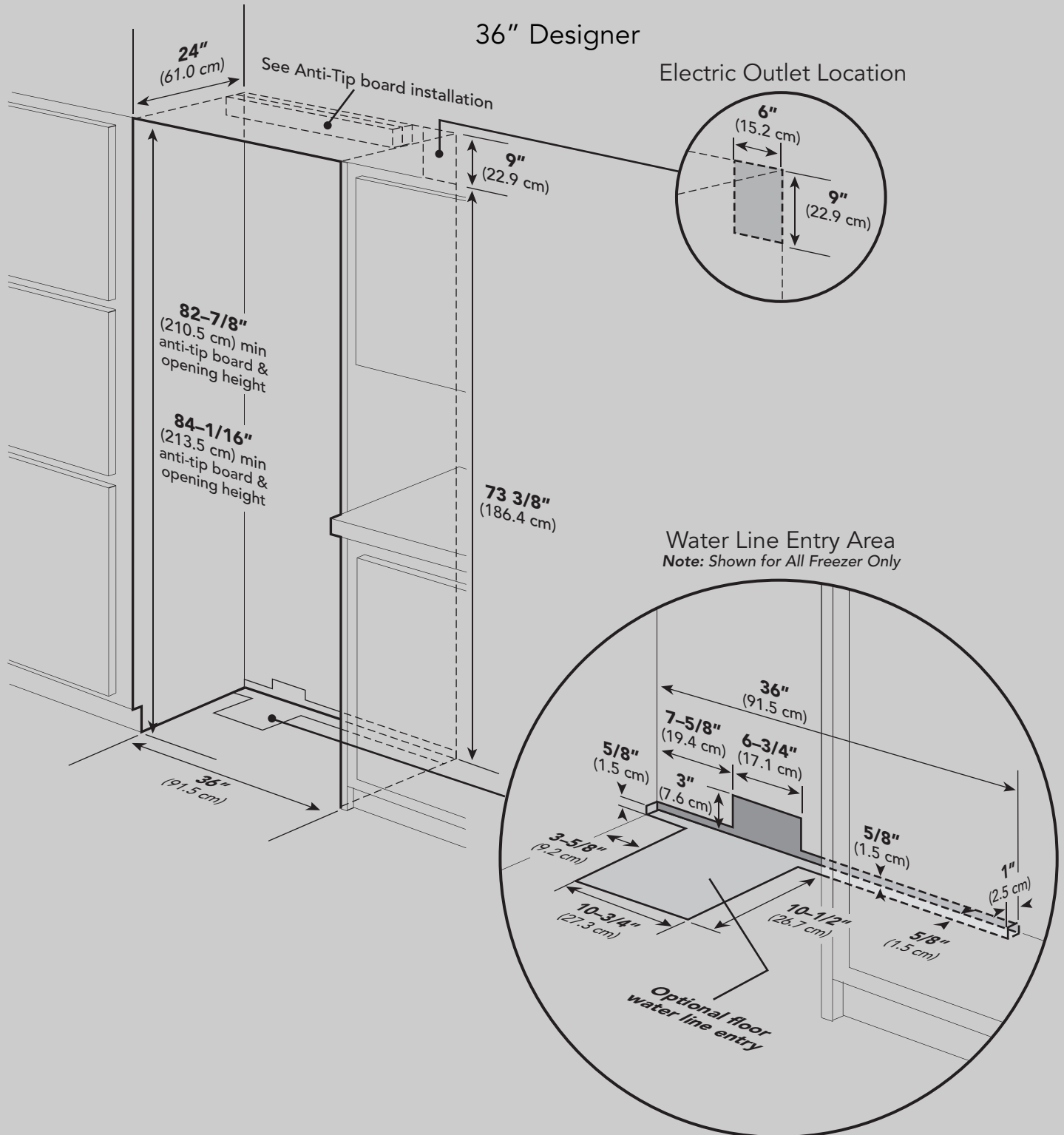
Anti-Tip Dimensions (Designer All Refrigerator/Freezer)

30" Designer



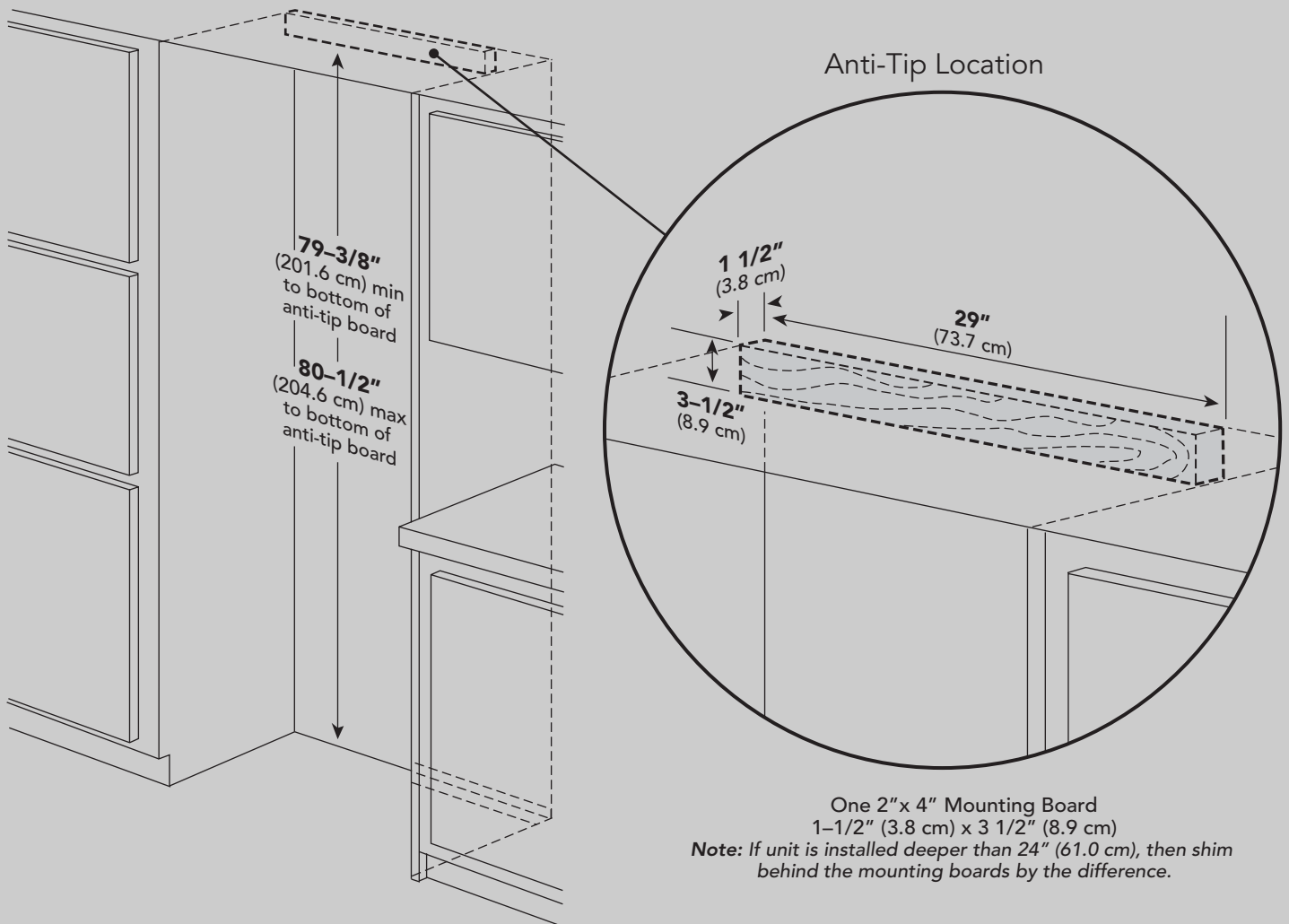
Bottom of anti-tip board is 3-7/8" (9.8 cm) below opening height.
Note: Top of unit must be placed firmly under anti-tip board.

Cutout Dimensions (Designer All Refrigerator/Freezer)



Anti-Tip Dimensions (Designer All Refrigerator/Freezer)

36" Designer



Bottom of anti-tip board is 3-7/8" (9.8 cm) below opening height.
Note: Top of unit must be placed firmly under anti-tip board.