

Viking Installation Guide

Built-In 18" H. Hoods
(Indoor and Outdoor Models)

NOTE: IF INSTALLING HOOD WITH WARMING SHELF PANEL, INSTALL WARMING SHELF PANEL FIRST.

IMPORTANT - PLEASE READ AND SAVE THESE INSTRUCTIONS

- Before beginning, please read these instructions completely and carefully.
- Do not remove permanently affixed labels, warnings, or plates from the product. This may void the warranty.
- Please observe all local and national codes and ordinances. If no local codes are applicable, wire in accordance with the National Electrical Code, ANSI/NFPA 70-1990.
- **Outdoor approved models should be installed in a covered non-enclosed area and should be protected from the elements as much as possible.**
- **The installer should leave these instructions with the consumer who should retain for local inspector's use and for future reference.**
- **Check with a qualified and trained installer or local codes for makeup air requirement, if any.**

This hood is for residential installation only and is not designed for installation over a commercial product. Make sure power is off at the main circuit breaker or fuse box before making connections.

To avoid risk of fire, electric shock, or injury to persons, turn off the electricity to the hood from the power supply before servicing or cleaning.

Viking Range hoods are equipped with variable speed controls for blowers. These units will not function with a single speed ventilator. All Viking Range ventilator kits are designed specifically for use with Viking Range hoods. Use of any non-Viking Range ventilator kit will void the hood warranty.

WARNING - TO REDUCE THE RISK OF FIRE, ELECTRIC SHOCK, OR INJURY TO PERSONS, OBSERVE THE FOLLOWING:

1. Use this unit only in the manner intended by the manufacturer. If you have any questions, contact the manufacturer.
2. Before servicing or cleaning unit, switch power off at service panel and lock service panel to prevent power from being switched on accidentally. When the service disconnecting means cannot be locked, securely fasten a prominent warning device, such as a tag, to the service panel.

CAUTION

TO REDUCE THE RISK OF FIRE, ELECTRICAL SHOCK, OR INJURY TO PERSONS, RANGEHOODS MUST BE INSTALLED WITH THE VENTILATORS THAT ARE SPECIFIED ON THEIR CARTON INDICATING SUITABILITY WITH THIS MODEL. OTHER VENTILATORS CANNOT BE SUBSTITUTED.

WARNING

TO REDUCE THE RISK OF FIRE, ELECTRICAL SHOCK, OR INJURY TO PERSONS, OBSERVE THE FOLLOWING:

1. Installation work and electrical wiring must be done by qualified person(s) in accordance with all applicable codes and standards, including fire-rated construction.
2. Sufficient air is needed for proper combustion and exhausting of gases through the flue (chimney) of fuel burning equipment to prevent back drafting. Follow the heating equipment manufacturer's guideline and safety standards such as those published by the National Fire Protection Association (NFPA), and the American Society for Heating, Refrigeration and Air Conditioning Engineers (ASHRAE), and the local code authorities.
3. When cutting or drilling into wall or ceiling, do not damage electrical wiring and other hidden utilities.
4. Ducted fans must always be vented to the outdoors.
5. **WARNING!:** To reduce the risk of fire, use only metal ductwork.
6. **CAUTION!:** To reduce risk of fire and to properly exhaust air, be sure to duct air outside. Do not vent exhaust air into spaces within walls or ceilings, or into attics, crawl spaces, or garages.

WARNING - TO REDUCE THE RISK OF INJURY TO PERSONS IN THE EVENT OF A RANGETOP GREASE FIRE, OBSERVE THE FOLLOWING:

(based on "Kitchen Firesafety Tips" published by NFPA)

1. **SMOTHER FLAMES** with a close-fitted lid, cookie sheet, or metal tray, then turn off the burner. **BE CAREFUL TO PREVENT BURNS.** If the flames do not go out immediately, **EVACUATE AND CALL THE FIRE DEPARTMENT.**
2. **NEVER PICK UP A FLAMING PAN.** You may be burned.
3. **DO NOT USE WATER,** including wet dishcloths or towels - a violent steam explosion will result.
4. Use an extinguisher **ONLY** if:
 - You know you have a Class ABC extinguisher, and you already know how to operate it.
 - The fire is small and contained in the area where it started.
 - The fire department is being called.
 - You can fight the fire with your back to an exit.

IMPORTANT SERVICE INSTRUCTOINS

-CAUTION-

For general ventilating use only. Do not use to exhaust hazardous or explosive materials and vapors.

BASIC SPECIFICATIONS - INTERIOR AND EXTERIOR POWER HOODS

18" H. Indoor Wall Hoods

DESCRIPTION	RECOM. CFM ¹ (Int.-Interior; Ext.-Exterior)	NUMBER OF HALOGEN LIGHTS	250 WATT HEAT LAMPS (bulb sold separately)	FILTERS	SPACERS	120VAC/60Hz MAX. AMPS ³ (Interior/Exterior)
24"W.	300 int./600 int./900 ext./1200 ext.	2	1	2	1	5.0/6.2/8.7/6.1
30" W.	300 int./600 int./1200 int./900 ext./1200 ext.	2	1	2	1	5.0/6.2/8.7/8.7/6.1
36"W.*	300 int./600 int./1200 int./900 ext./1200 ext.	2	1	2	2	5.0/6.2/8.7/8.7/6.1
42"W.*	600 int./1200 int./900 ext./1200 ext.	2	1	2	2	6.2/8.7/8.7/6.1
48"W., 54"W.*	1200 int./1200 ext./1500 ext.	3	2	3	2	11.1/8.4/9.1
60"W.*	1200 int./1200 ext./1500 ext.	4	2	4	1	11.5/8.8/9.5
66"W.*	1200 int./1200 ext./1500 ext.	4	2	4	2	11.5/8.8/9.5

18" H. Indoor Island Hoods

DESCRIPTION	RECOM. CFM ¹ (Int.-Interior; Ext.-Exterior)	NUMBER OF HALOGEN LIGHTS	FILTERS	SPACERS	120VAC/60Hz MAX. AMPS ³ (Interior/Exterior)
36"W.*	600 int./1200 int./900 ext./1200 ext.	4	4	2	4.9/7.4/7.4/4.7
42"W.*	600 int./1200 int. 900 ext./1200 ext./1500 ext.	4	4	4	4.9/7.4/4.8/5.4
54"W.*	1200 int./1200 ext./1500 ext.	6	6	4	8.2/5.6/6.2
66"W.*	1200 int./1200 ext./1500 ext.	8	8	4	9.0/6.3/7.1

18" H. Outdoor Wall Hoods*

DESCRIPTION	RECOM. CFM ¹ (Int.-Interior; Ext.-Exterior)	NUMBER OF HALOGEN LIGHTS	FILTERS	SPACERS	120VAC/60Hz MAX. AMPS ³ (Interior/Exterior)
36"W.	1200 int./1200 ext./1500 ext.	2	2	2	8.7/6.1/6.8
48"W.	1200 int./1200 ext./1500 ext.	3	3	2	11.5/8.8/9.5
60"W.	1200 int./1200 ext./1500 ext.	4	4	1	11.5/8.8/9.5

*1200 CFM interior or exterior or 1500 CFM exterior (if applicable) ventilator should be used with all outdoor approved models and when indoor models are installed over ranges/rangetops with gas grill.

MODEL NUMBER	CFM ¹	RECOMMENDED DUCT SIZE	MAX. DUCT RUN ² (ft.)
For Use with hoods:			
VIV300 (interior)	300	7" round	50
VIV600 (interior)	600	7" round	50
VIV1200 (interior)	1200	10" round	50
VEV900 (exterior)	900	10" round	50
VEV1200 (exterior)	1200	10" round	50
VEV1500 (exterior)	1500	10" round	75

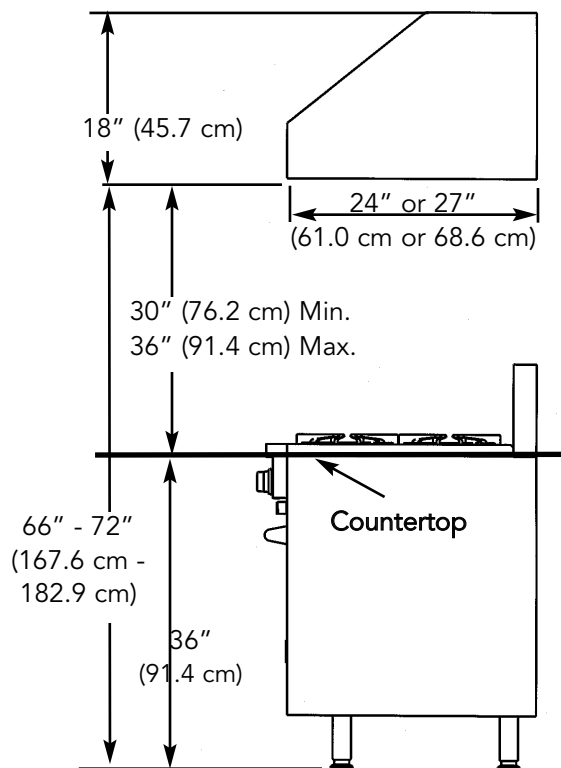
PROPER INSTALLATION/DUCTING IS EXTREMELY IMPORTANT TO ENSURE MAXIMUM PERFORMANCE FROM ANY VENTILATION PRODUCT

- All CFMs stated are based on tests at .1 static pressure: without applying static pressure, CFM would be greatly overstated.
- Duct run length is for general reference only; for longer duct runs, increase duct size and contact a qualified and trained installer.
 - Straight runs and gradual turns are best; for example, each 90° elbow is equivalent to 5-10 feet (1.52 - 3.05 m) of straight run.
 - Never use flexible duct; it creates back pressure/air turbulence and greatly reduces performance.
 - Proper performance is dependent upon proper ducting; make sure that a qualified and trained installer is used.
 - Check with a qualified and trained installer or local codes for makeup air requirement, if any.**
- Max. amp rating for hoods includes recommended ventilator kit rating; all products must be hard wired direct with 2-wire with ground.

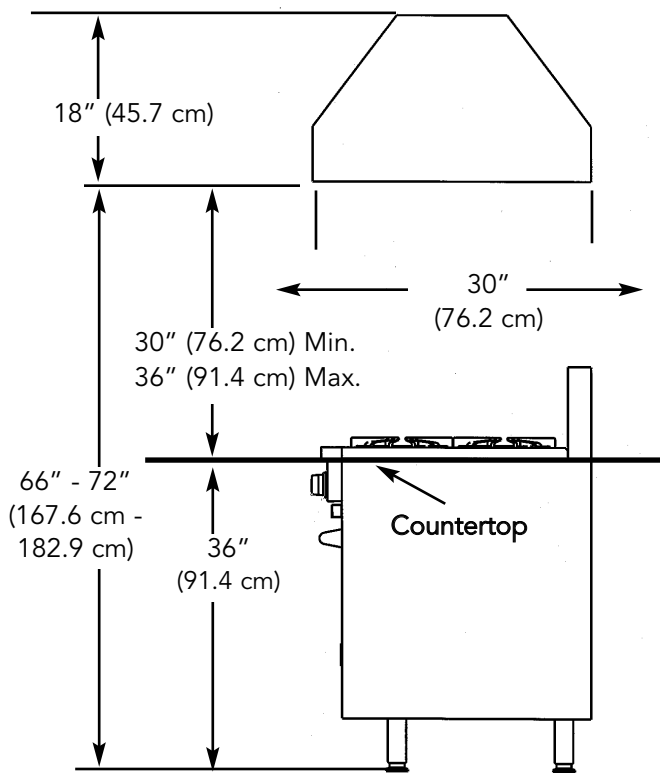
HEIGHT OF INDOOR HOOD

The bottom of the hood should be 30" (76.2 cm) min. to 36" (91.4 cm) max. above the countertop. This would typically result in the bottom of the hood being 66" (167.6 cm) to 72" (182.9 cm) above the floor. The bottom of the hood should never be more than 72" (182.9 cm) above the floor or more than 36" (91.4 cm) above the countertop. These dimensions provide for safe and efficient operation of the hood.

WALL INSTALLATION



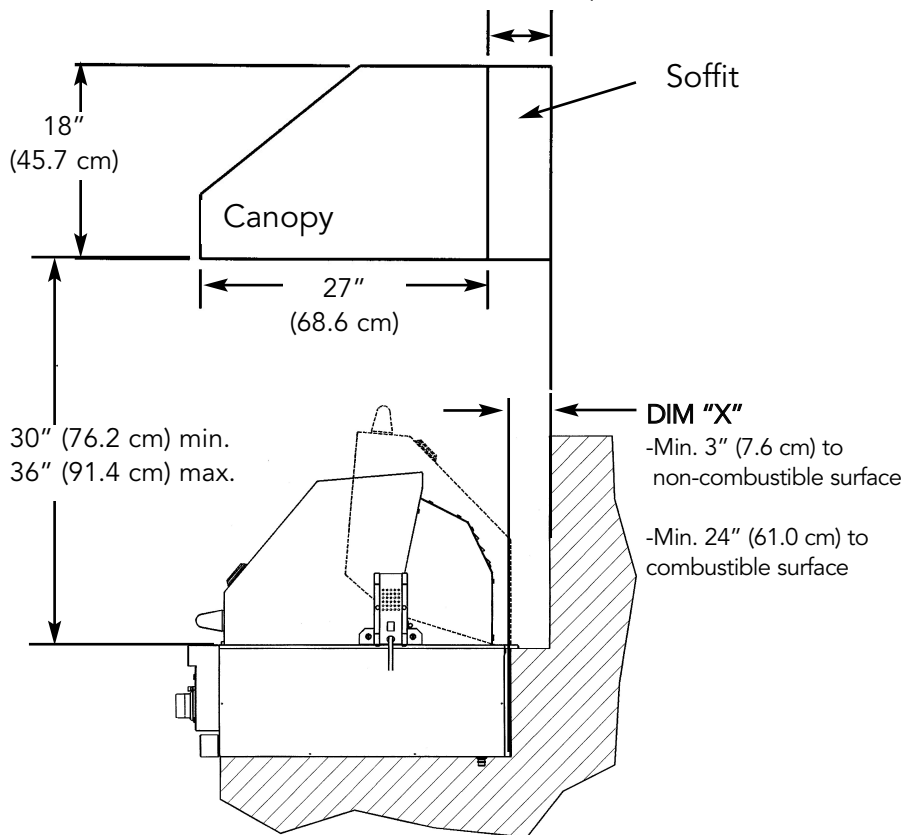
ISLAND INSTALLATION



DIM "X" plus 4-1/2" (11.4 cm)

HEIGHT OF OUTDOOR HOOD

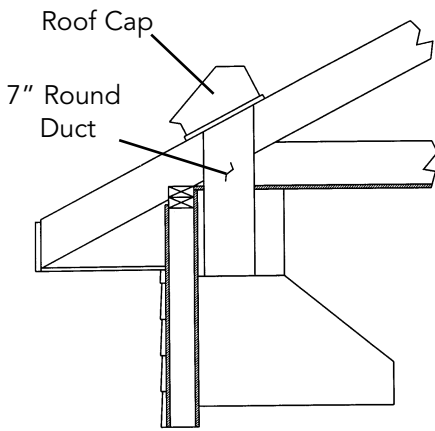
The bottom of the hood should be 30" (76.2 cm) to 36" (91.4 cm) above the grill surface. The hood should be installed 4-1/2" (11.4 cm) plus the distance between the back trim and surface from the back wall. (NOTE: There is a 3" minimum clearance from the back trim to non-combustible surfaces and a 24" minimum to combustible surfaces.) This will require building the hood out from the wall. Any combustible material used for this purpose must be covered with locally supplied stainless steel. It is also recommended a backsplash be used with outdoor installations.



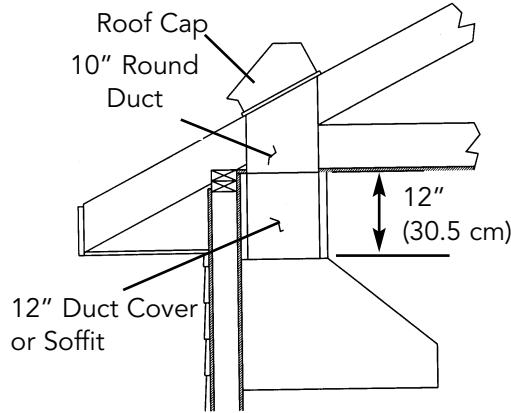
PREPARING FOR HOOD INSTALLATION

Plan where the ductwork will be located. See pages 9-12 for rough-in dimensions. Install proper-sized duct work, and roof or wall cap for the type of blower you are using. Recommended hood locations for the most common installations are shown on page 2.

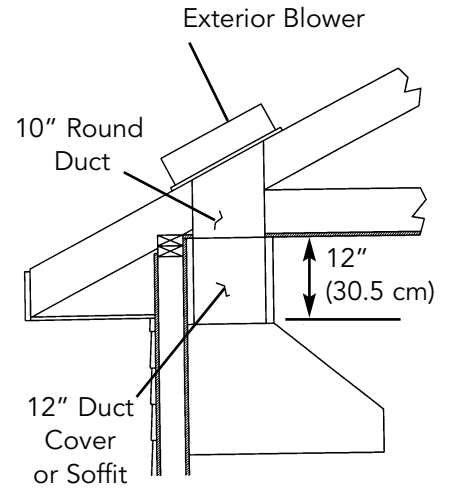
Adjust your measurements for various heights of ceilings, soffits, cabinets, or ranges/rangetops.



300 or 600 CFM Single Blower
Interior-Power - Typical Ductwork



1200 CFM Single Blower
Interior-Power - Typical Ductwork



900, 1200, or 1500 CFM
Exterior-Power - Typical Ductwork

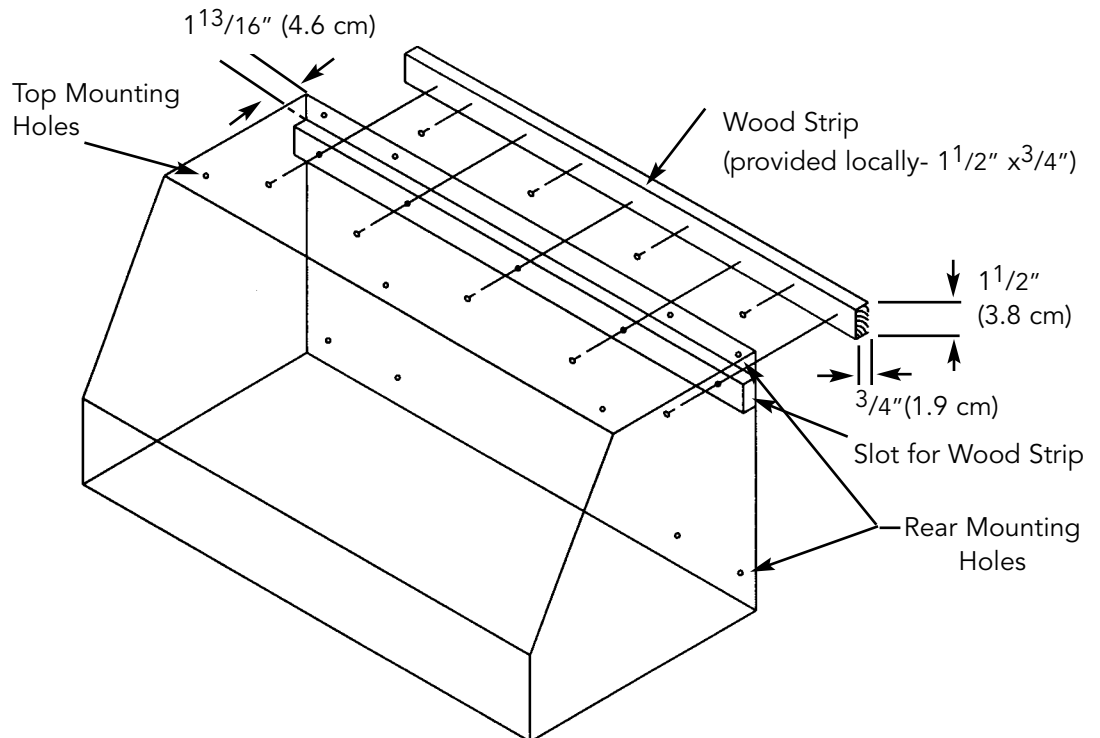
ELECTRICAL SUPPLY

Run 120 VAC electrical power cable from service panel to installation location. See "Basic Specifications" on page 13 for the maximum amp requirements.

INSTALLING HOOD CANOPY (Indoor/Outdoor VWH Models Only)

Center the wood strip (provided locally - see drawing for dimensions) and attach to wall. Using the slot located on the backside of the canopy, place the hood onto the wood strip. Secure the hood to strip with mounting screws provided. Make sure that the wood strip mounting screws are driven into the framing and not just the drywall. Use additional mounting screws (and wall anchors if necessary) in the other holes.

NOTE: BECAUSE OF THE WEIGHT OF THE HOOD - MAKE SURE THAT THE WOOD STRIP MOUNTING SCREWS ARE DRIVEN INTO THE FRAMING AND NOT JUST THE DRYWALL. IT MAY BE NECESSARY TO DRILL ADDITIONAL HOLES IN THE CANOPY FOR PROPER ALIGNMENT.

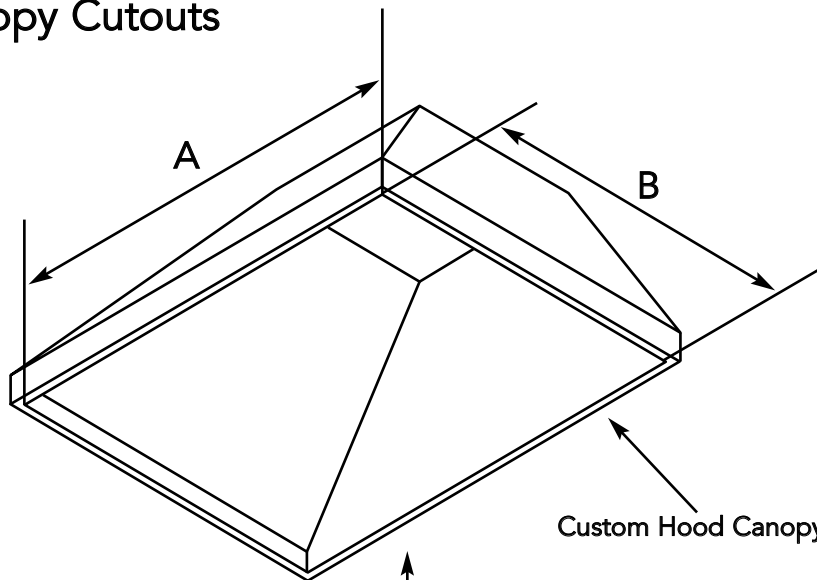


INSTALLING HOOD CANOPY (VBCV/VICV Custom Ventilator Kits Only)

*For best results, center the unit over the burners of the cooking product (front to back; right to left).

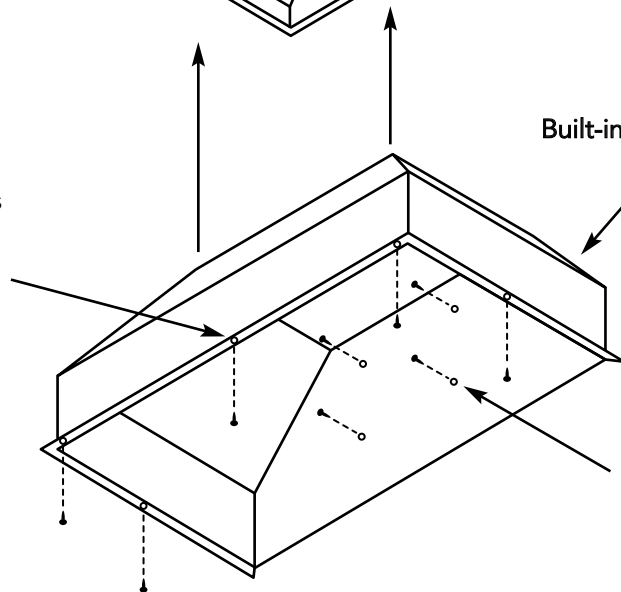
Make sure the back wall of the custom hood canopy is flush with the cutout so the ventilator system may be mounted as shown below.

Custom Hood Canopy Cutouts



- 1) Position ventilator system inside of the custom hood canopy and center it front to back and left to right.

- 2) Bottom mounting holes fasten ventilator system to bottom of custom hood canopy with the screws provided



- 3) OPTIONAL Rear mounting holes fasten ventilator system to rear of custom hood canopy

Wall Hoods

	A	B
30" W.	27 7/16" (69.7 cm)	21 7/16" (54.5 cm)
36" W.	33 7/16" (84.9 cm)	21 7/16" (54.5 cm)
42" W.	39 7/16" (100.2 cm)	21 7/16" (54.5 cm)
48" W.	45 7/16" (115.4 cm)	21 7/16" (54.5 cm)
54" W.	51 7/16" (130.7 cm)	21 7/16" (54.5 cm)
60" W.	57 7/16" (145.9 cm)	21 7/16" (54.5 cm)
66" W.	63 7/16" (161.1 cm)	21 7/16" (54.5 cm)

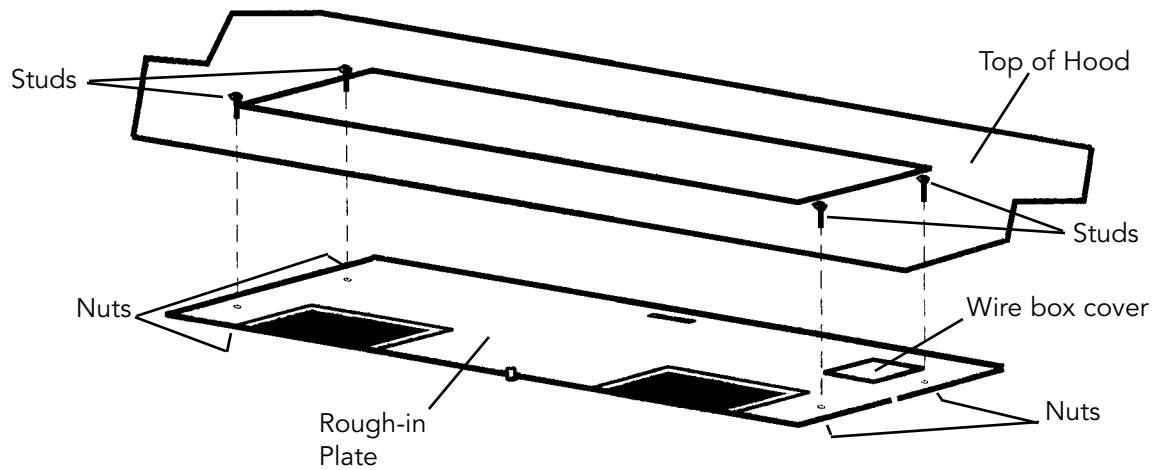
Island Hoods

	A	B
36" W.	33 7/16" (84.9 cm)	27 9/16" (70.0 cm)
42" W.	39 7/16" (100.2 cm)	27 9/16" (70.0 cm)
54" W.	51 7/16" (130.7 cm)	27 9/16" (70.0 cm)
66" W.	63 7/16" (161.1 cm)	27 9/16" (70.0 cm)

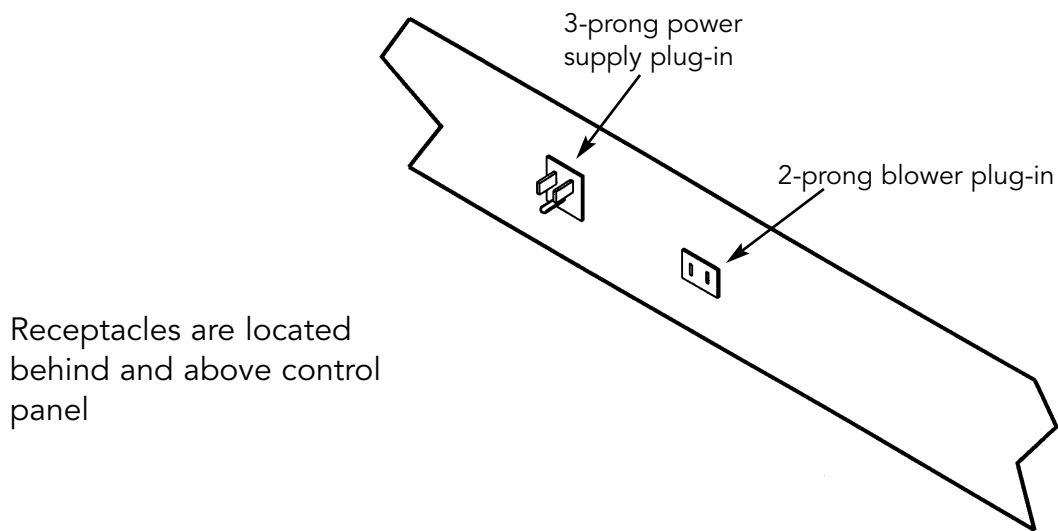
INSTALLING ROUGH-IN PLATE AND CONNECTING DUCT - INTERNAL POWER

(Also see instructions supplied with ventilator kit)

1. Attach rough-in plate to studs in the inside, top of hood with four (4) #10-24 nuts provided.
2. Connect ductwork using supplied transition and damper (transition and damper are part of rough-in plate on some models). Use duct tape to make all joints secure and air tight. In some installations, it is easier to attach transition to plate before attaching plate to hood.
3. Remove wire box cover. Remove a knockout from the wiring box. Feed 6" of power cable through opening and attach cable to wiring in wiring box with appropriate connector. **WARNING: MAKE SURE ELECTRICAL SUPPLY IS OFF.**
4. Wire black to black, white to white, and green or bare wire beneath green ground screw. Replace wire box cover.



5. Plug the rough-in plate power cord into the receptacle located on the top side of the light panel.



Receptacles are located behind and above control panel

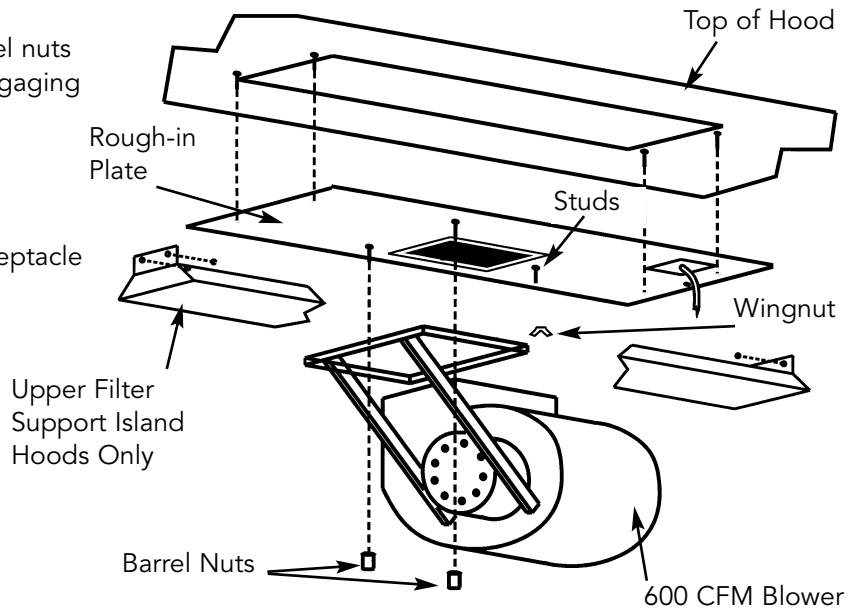
INSTALLING THE VENTILATORS

VIV300 or VIV600 - Interior-Power Ventilator Kit (300 or 600 CFM)

(also see instructions supplied with ventilator kit)

1. Make sure barrel nuts and wing nut are engaged halfway onto threaded stud.
2. Lift ventilator into canopy - may be easier to turn ventilator side ways to lift into canopy then rotate into mounting position.
3. Lift ventilator allowing barrel nuts to come through large end of keyhole opening.
4. Slide ventilator to the right, engaging barrel nuts into small end of keyhole openings and engaging studs with wing nut in slot on right side of ventilator. Make sure discharge openings match.
5. Tighten barrel nuts and wing nut.
6. Plug the ventilator power cord into the receptacle located on the topside of the light panel.

***NOTE: Island Hoods Only - Upper filter support must be removed before blower can be installed.**

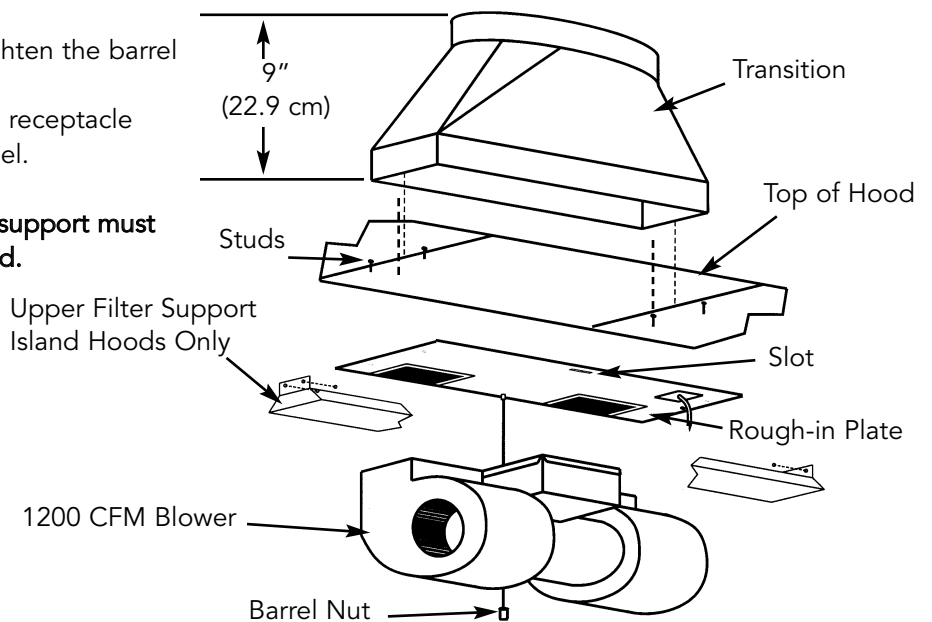


VIV1200 - Interior-Power Ventilator Kit (1200 CFM)

(also see instructions supplied with ventilator kit)

1. Make sure barrel nuts and wing nut are engaged halfway onto threaded stud.
2. Lift ventilator into canopy - may be easier to turn ventilator side ways to lift into canopy then rotate into mounting position.
3. Engage tab on ventilator with slot in rough-in plate AND engage slot in ventilator with barrel nut on threaded stud.
4. Push ventilator towards the back of hood to fully engage.
5. Use a long, flat-head screwdriver to tighten the barrel nut securely.
6. Plug the ventilator power cord into the receptacle located on the topside of the light panel.

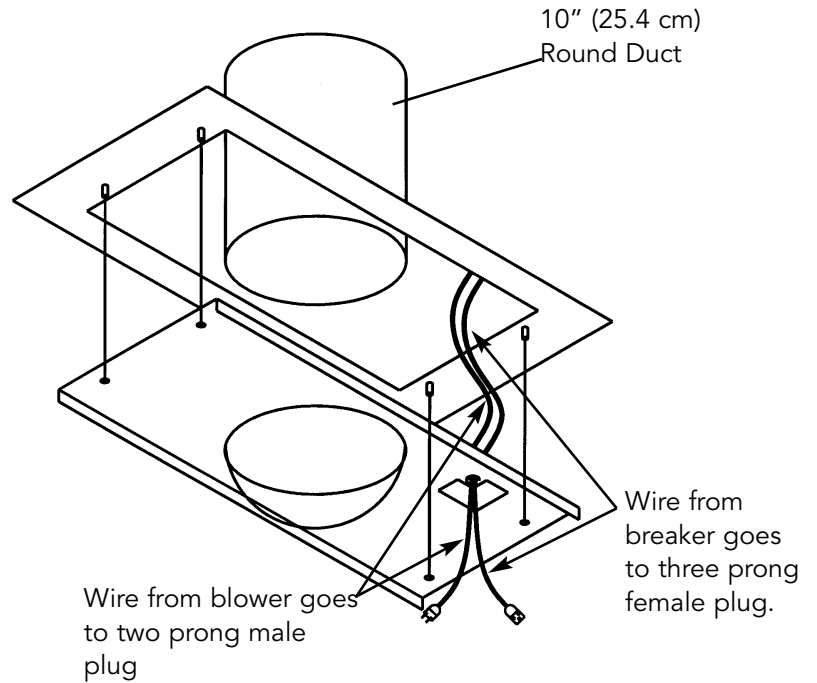
***NOTE: Island Hoods Only - Upper filter support must be removed before blower can be installed.**



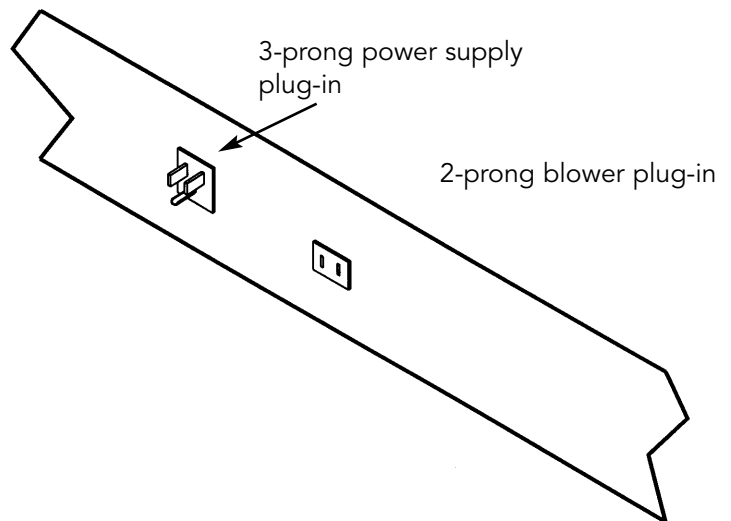
INSTALLING ROUGH-IN PLATE AND CONNECTING DUCT -EXTERNAL POWER

(Also see instructions supplied with ventilator kit)

1. Run 10" round steel ductwork, from exterior blower to the installation location. For best performance, use the straightest possible duct run and the fewest number of elbows. Tape all joints.
2. Run 120 VAC electrical power cable from service panel and from remote blower to installation location.
3. Remove wiring box cover. Remove knockouts from the wiring box. Feed 6" of power cable through the openings and attach cables to wiring box with appropriate connectors.
4. Wire black to black, white to white, and green or bare wire beneath green ground screw. Replace wiring box cover.
5. Attach rough-in plate to the studs at the inside top of hood with (4) #10-24 nuts provided.
6. Connect ductwork to rough-in plate and tape joint.



7. Plug the rough-in plate power cord into the receptacle located on the top side of the light panel. Receptacles are located behind and above control panel



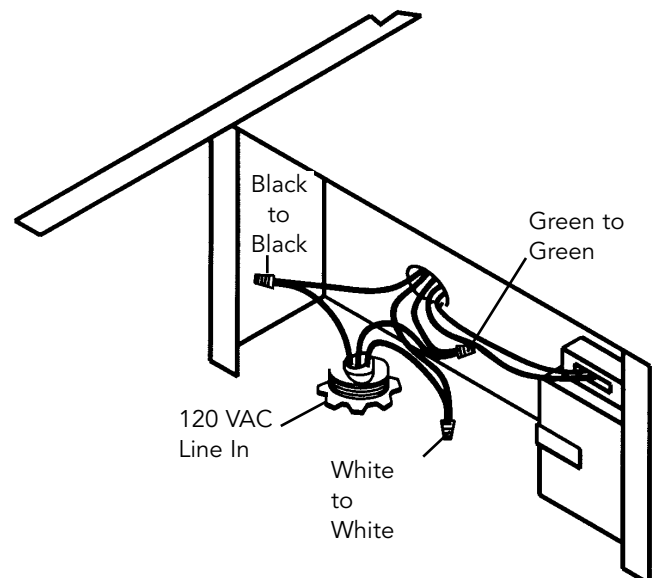
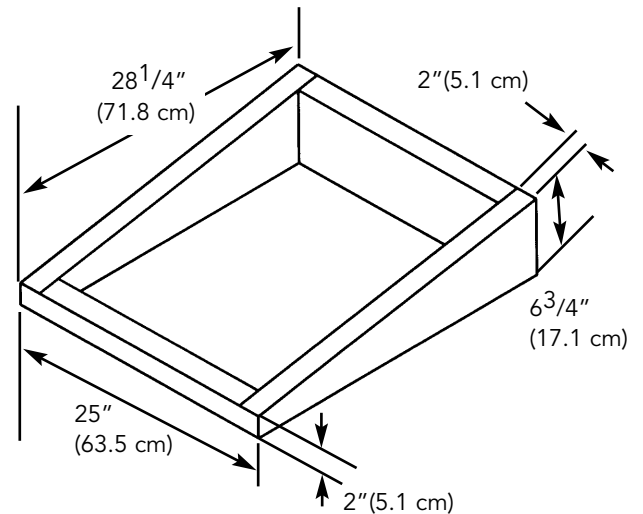
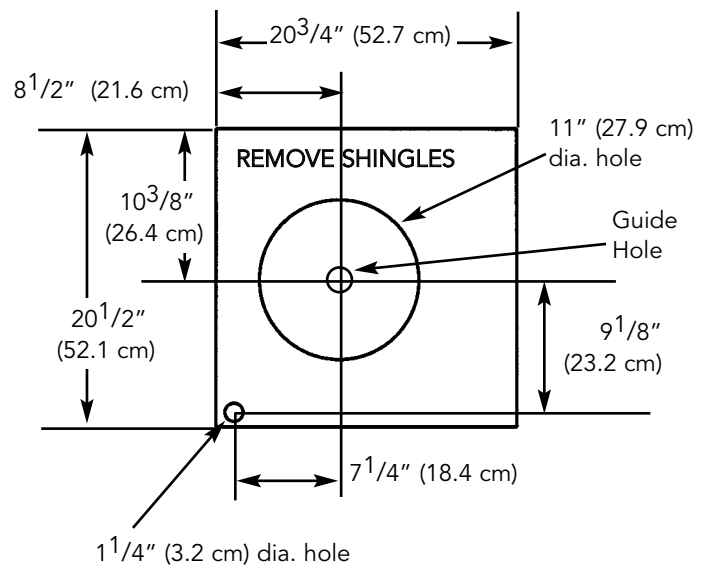
ROOF INSTALLATION EXTERIOR-POWER VENTILATOR

VEV900-Exterior Power Ventilator Kit (900CFM)

(also see instructions supplied with ventilator kit)

1. Locate the blower on the rear slope of the roof. Place it in a location to minimize duct run. The location should be free of obstacles (T.V. leads, electrical lines, etc.). Bear in mind, if the blower top is level with the roof peak, it will not be seen from the street. Keep this approximate location in mind as you work from within the attic.
2. Mark a point halfway between rafters.
3. Drill a guide hole through the roof at this point.
4. From the outside, use the guide hole as a starting point.
 - A. Use a T-square to measure $8\frac{1}{2}"$ (21.6 cm) to the left of the guide hole, then down $10\frac{3}{8}"$ (26.4 cm) to locate the bottom left corner of the layout.
 - B. Mark the rectangular cutout and remove only the shingles in this area.
5. Mark an 11" (27.9 cm) diameter circle centered on the guide hole and mark the center of the $1\frac{1}{4}"$ (3.2 cm) diameter electrical wiring hole.
6. Cut out the roof board(s) along the 11" (27.9 cm) diameter circle and drill a $1\frac{1}{4}"$ hole as marked.
7. For flat roof installations, build a curb that will mount the blower at a minimum pitch of 2/12. Discharge end of the blower should be pointed away from prevailing winds.
8. Remove roofing nails from the upper two-thirds of the shingles around the cutout area. Carefully lift the shingles to allow the back flashing sheet on the blower housing to fit under them.
9. Center the blower ring in the 11" (27.9 cm) diameter hole, making sure that the $1\frac{1}{4}"$ (3.2 cm) diameter electrical wiring hold aligns with the hole in the wiring box.
10. Attach the blower to the roof with the six screws provided. It is recommended that the screws be located inside the blower housing. All six holes in the back panel must be filled, or any moisture that may get inside the housing could leak into the house.
11. Using a good grade of roofing cement, seal all of the shingles around the housing and flashing sheet as well as the mounting screw heads.
12. Bring electrical wiring through the hole in the wiring box and secure it according to local codes.
13. Make the electrical connections with the proper connector for the type of wiring being used. Connect white to white, black to black, and the green or bare wire to green.
14. Replace wiring box cover and screws. Do not pinch wiring under the cover.
15. Check for free movement of the damper before installing housing cover and screws.
16. Turn on power and check operation of the blower.

ROOF CUTOUT

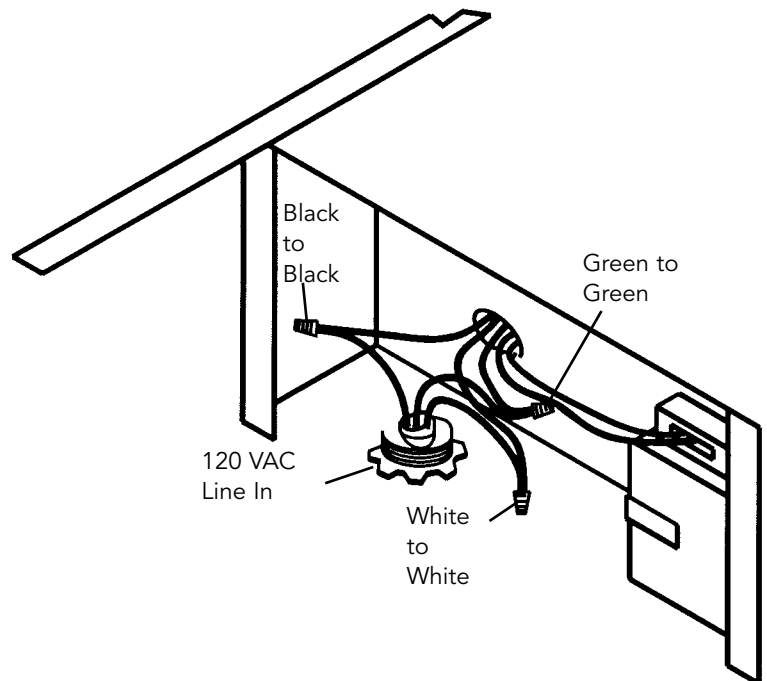
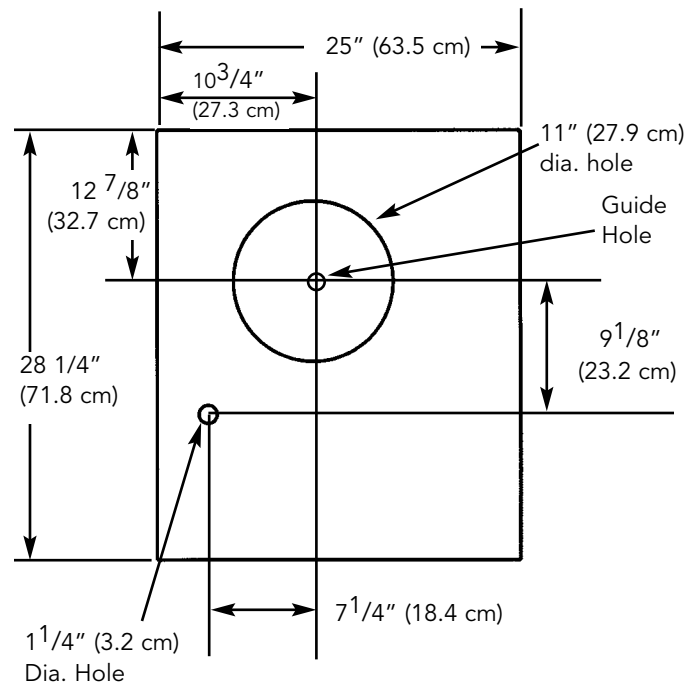


WALL INSTALLATION EXTERIOR-POWER VENTILATOR

VEV900-Exterior-Power Ventilator Kit (900CFM)

1. Choose a position on the outside wall. Min. 24" (61.0 cm) from ground may vary depending on local codes or location. Make sure that no wall studs, pipes or wires run through the opening area.
2. Drill a guide hole at the center of the opening area.
3. From the outside, use the guide hole as a starting point to lay out the installation.
 - A. Use a T-square to measure 10³/₄" (27.3 cm) to the left of the guide hole, then 12⁷/₈" (32.7 cm) to locate the top-left corner of the layout.
 - B. Starting from the top-left corner, mark a 25" (63.5 cm) by 28¹/₂" (72.4 cm) rectangle on wall located from guide hole.
4. Cut a rectangular hole in the siding only. Do not cut the sheathing. Nail down all siding ends.
5. Mark an 11" (27.9 cm) diameter circle centered on the guide hole and mark the center of the 1¹/₄" diameter electrical wiring hole.
6. Cut the 11" (27.9 cm) hole in the sheathing and drill the 1¹/₄" (3.2 cm) as marked.
7. Place a large bead of caulk on the back side of the housing along the outer edge.
8. Center the blower ring in the 11" (27.9 cm) diameter hole, making sure that the 1¹/₄" (3.2 cm) diameter electrical wiring hole aligns with the hole in the wiring box.
9. Attach blower to the wall with the six screws provided. It is recommended that the screws be located inside the blower housing. All six holes in the back panel must be filled, or any moisture that may get inside the housing could leak into the house.
10. Using a good grade of caulk, seal all around the mounting screw heads.
11. Bring electrical wiring through the hole in the wiring box and secure it according to local codes.
12. Make the electrical connections with the proper connector for the type of wire being used. Connect white to white, black to black, and green or bare wire to green.
13. Replace wiring box cover and screws. Do not pinch wiring under cover.
14. Check for free movement of the damper before installing housing cover and screws.
15. Turn on power and check operation of the blower.
16. Top and side flanges of the back plate may be covered with trim strips. Do not block grill opening at bottom with trim. It will adversely affect performance of the blower.

WALL CUTOUT



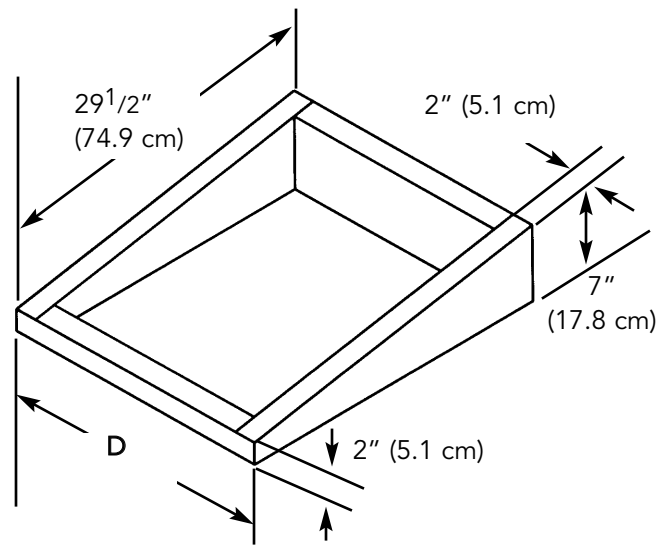
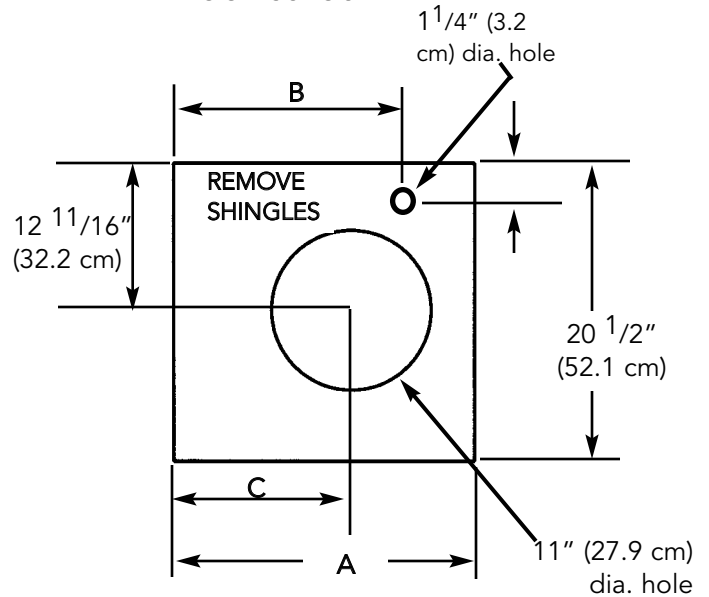
ROOF INSTALLATION EXTERIOR-POWER VENTILATOR

Exterior Power Ventilator

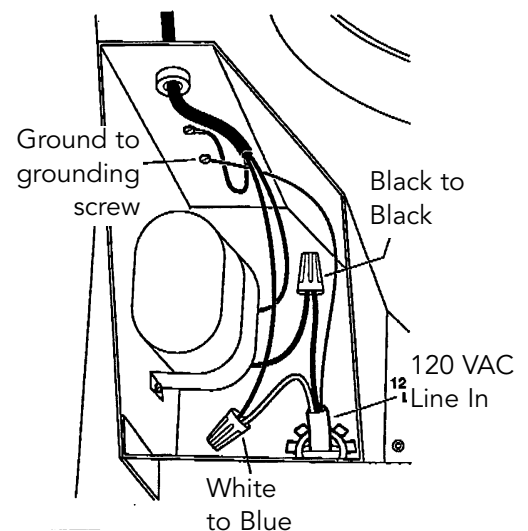
(also see instructions supplied with ventilator kit)

1. Locate the blower on the rear slope of the roof. Place it in a location to minimize duct run. The location should be free of obstacles (T.V. leads, electrical lines, etc.). Bear in mind, if the blower top is level with the roof peak, it will not be seen from the street. Keep this approximate location in mind as you work from within the attic.
2. Mark a point halfway between rafters.
3. Drill a guide hole through the roof at this point.
4. From the outside, use the guide hole as a starting point to lay out the installation.
 - A. Use a T-square to measure $9\frac{13}{16}$ " (24.9 cm) to the left of the guide hole, then $12\frac{11}{16}$ " (32.2 cm) to locate the top-left corner of the layout.
 - B. Starting from the top-left corner, mark the rectangular cutout and remove only the shingles in this area.
5. Mark an 11" (27.9 cm) diameter hole centered on the guide hole. Mark the center of the $1\frac{1}{4}$ " (3.2 cm) diameter electrical wiring hole.
6. Cut out the roof board(s) along the 11" (27.9 cm) diameter circle and drill a $1\frac{1}{4}$ " hole as marked.
7. For flat roof installations, build a curb that will mount the blower at a minimum pitch of 2/12. Discharge end of the blower should be pointed away from prevailing winds.
8. Remove roofing nails from the shingles around the top and sides of the cutout area only. Carefully lift the shingles to allow the back flashing sheet on the blower housing to fit under them.
9. Center the blower ring in the 11" (27.9 cm) diameter hole, making sure that the $1\frac{1}{4}$ " (3.2 cm) diameter electrical wiring hole aligns with the hole in the wiring box.
10. Attach the blower to the roof with the six screws provided. It is recommended that the screws be located inside the blower housing. All six holes in the back panel must be filled, or any moisture that may get inside the housing could leak into the house.
11. Using a good grade of roofing cement, seal all of the shingles around the housing and flashing sheet as well as the mounting screw heads.
12. Bring electrical wiring through the hole in the wiring box and secure it according to local codes.
13. Make the electrical connections with the proper connector for the type of wiring being used. Connect white to white, black to black, and the green or bare wire to green.
14. Replace wiring box cover and screws. Do not pinch wiring under the cover.
15. Check for free movement of the damper before installing housing cover and screws.
16. Turn on power and check operation of the blower.

ROOF CUTOUT



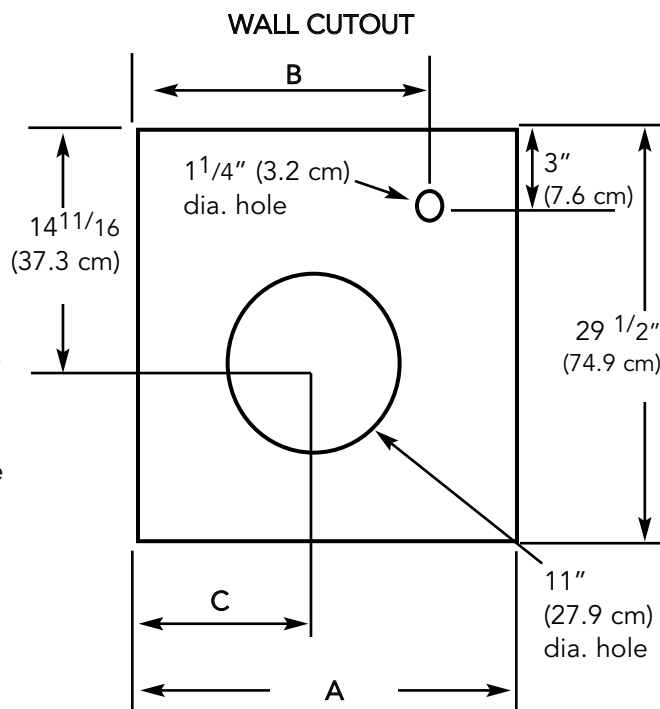
	A	B	C	D
VEV1200	18" (45.7 cm)	15" (38.1 cm)	$9\frac{13}{16}$ " (24.9 cm)	22" (55.9 cm)
VEV1500	21" (53.3 cm)	18" (45.7 cm)	$12\frac{5}{8}$ " (32.1 cm)	25" (63.5 cm)



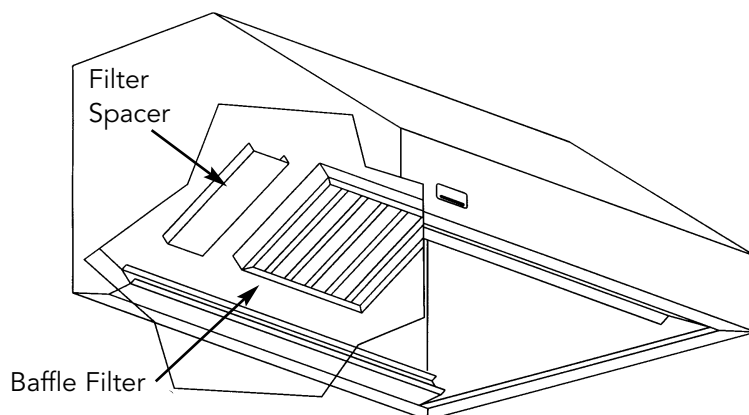
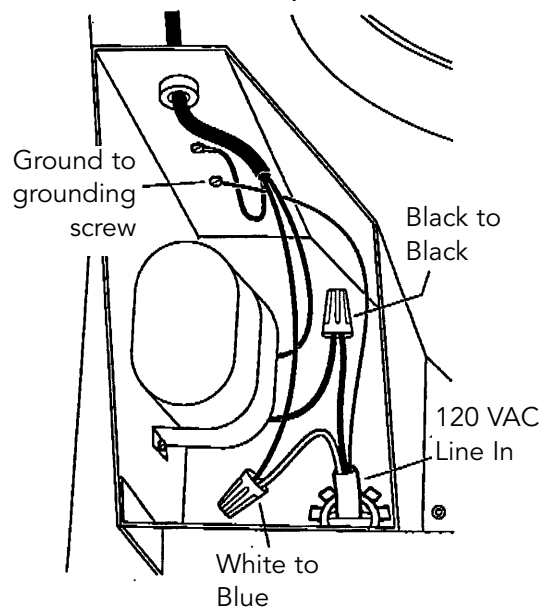
WALL INSTALLATION EXTERIOR-POWER VENTILATOR

Exterior Power Ventilator Kit

1. Choose a position on the outside wall. Min. 24" (61.0 cm) from ground may vary depending on local codes or location. Make sure that no wall studs, pipes or wires run through the opening area.
2. From inside, mark and drill a guide hole at the center of the opening area.
3. From the outside, use the guide hole as a starting point to lay out the installation.
 - A. Use a T-square to measure 11¹³/₁₆" (30.0 cm) to the left of the guide hole, then 14¹¹/₁₆" (37.3 cm) to locate the top-left corner of the layout.
 - B. Starting from the top-left corner, mark a 22" (55.9 cm) by 29¹/₂" (74.9 cm) rectangle on wall located from guide hole.
4. Cut a rectangular hole in the siding only. Do not cut the sheathing. Nail down all siding ends.
5. Mark an 11" (27.9 cm) diameter circle centered on the guide hole and mark the center of the 1¹/₄" diameter electrical wiring hole.
6. Cut the 11" (27.9 cm) hole in the sheathing and drill the 1¹/₄" (3.2 cm) as marked.
7. Place a large bead of caulk on the back side of the housing along the outer edge.
8. Center the blower ring in the 11" (27.9 cm) diameter hole, making sure that the 1¹/₄" (3.2 cm) diameter electrical wiring hole aligns with the hole in the wiring box.
9. Attach blower to the wall with the six screws provided. All six holes in the back panel must be filled, or any moisture that may get inside the housing could leak into the house.
10. Using a good grade of caulk, seal all around the mounting screw heads.
11. Bring electrical wiring through the hole in the wiring box and secure it according to local codes.
12. Make the electrical connections with the proper connector for the type of wire being used. Connect white to blue, black to black, and green or bare wire to grounding screw.
13. Replace wiring box cover and screws. Do not pinch wiring under cover.
14. Check for free movement of the damper before installing housing cover and screws.
15. Turn on power and check operation of the blower.
16. Top and side flanges of the back plate may be covered with trim strips. Do not block grill opening at bottom with trim. It will adversely affect performance of the blower.



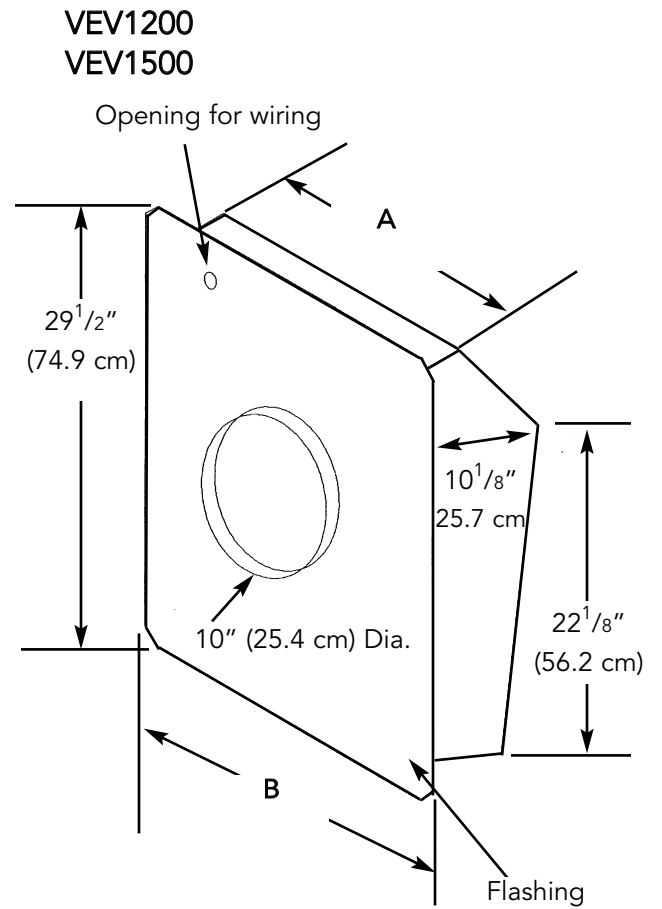
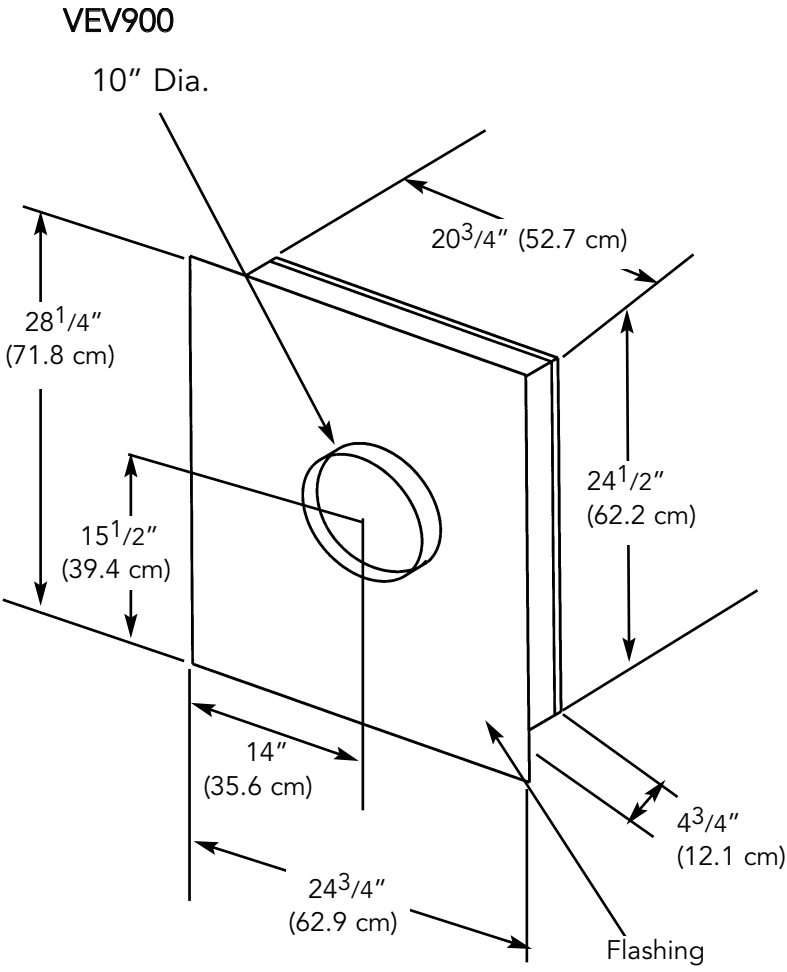
	A	B	C
VEV1200	22" (55.9 cm)	17" (43.2 cm)	11 13/16" (30.0 cm)
VEV1500	25" (63.5 cm)	20" (50.8 cm)	14 5/8" (37.2 cm)



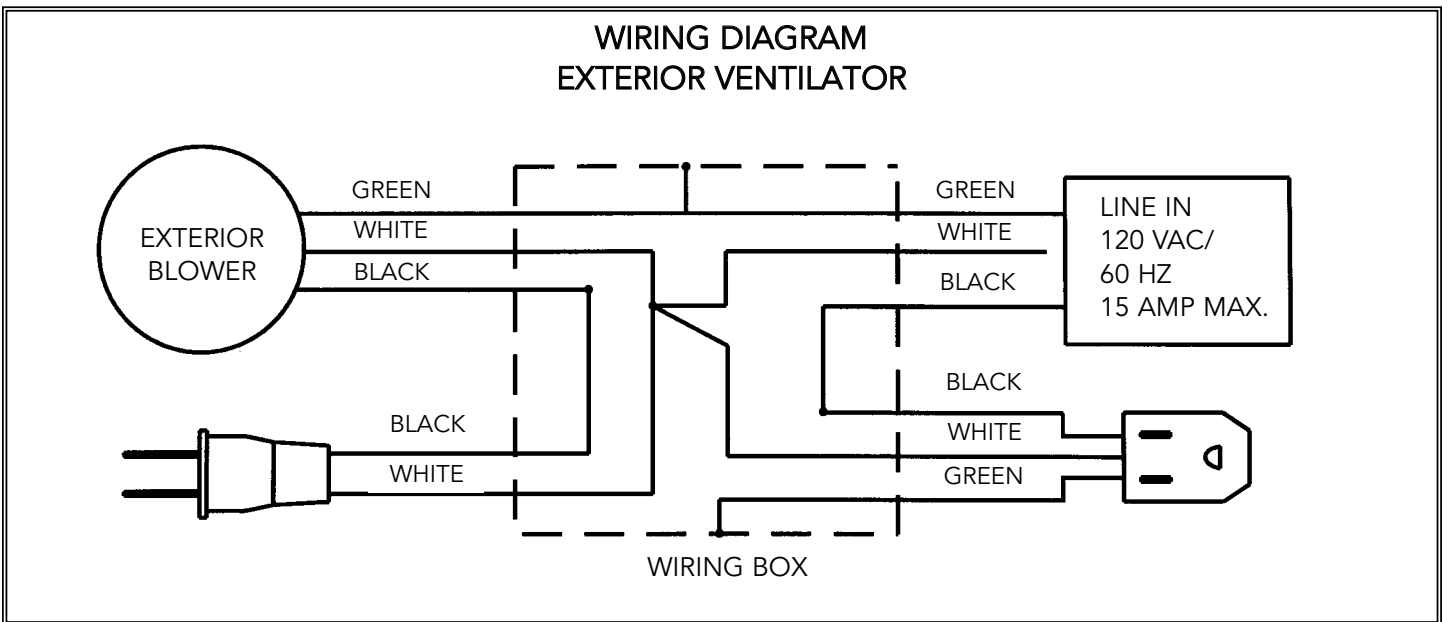
FILTER/SPACER INSTALLATION

1. Install spacer/s in center or outside of filters.
2. Number of spacers and baffle filters will vary by model.

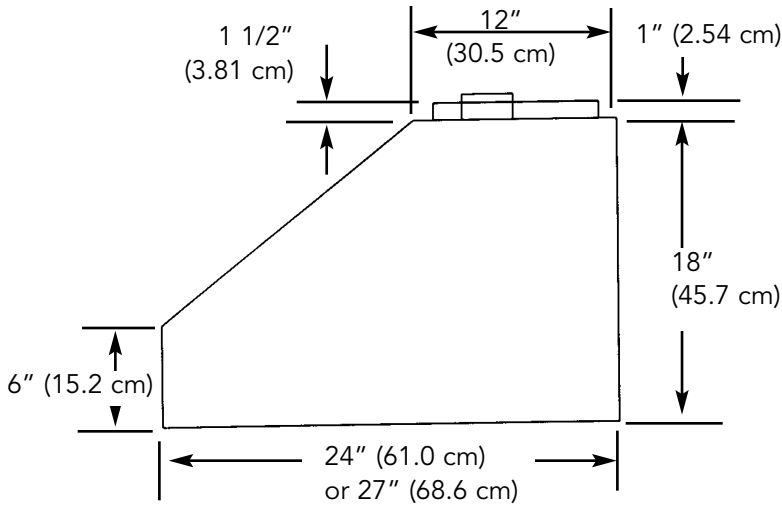
EXTERIOR VENTILATOR DIMENSIONS



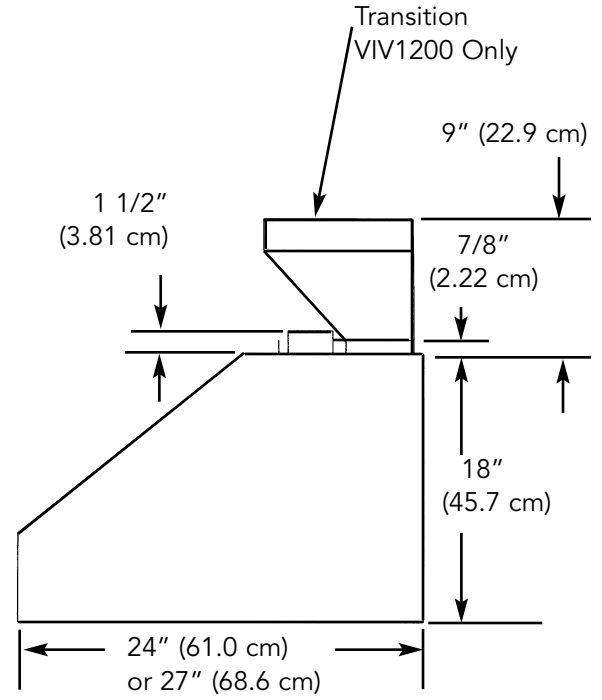
	A	B
VEV1200	18" (45.7 cm)	22" (55.9 cm)
VEV1500	21" (53.3 cm)	25" (55.9 cm)



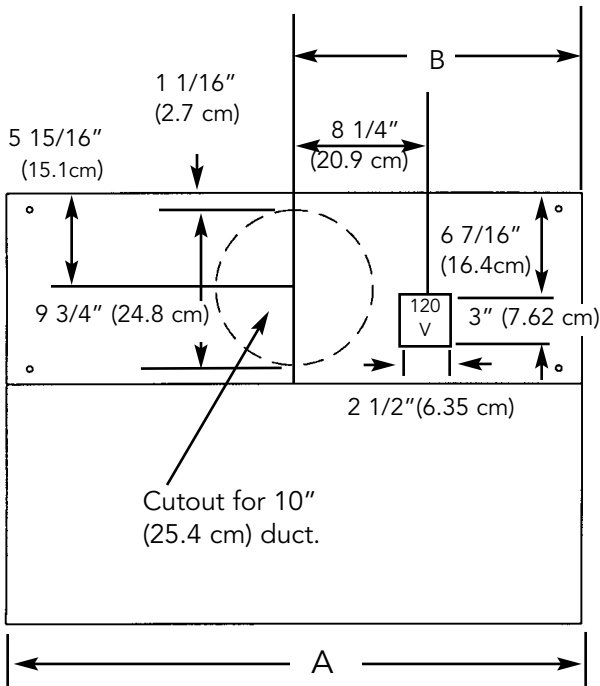
WALL HOOD DIMENSIONS
(Indoor/Outdoor VWH Models)



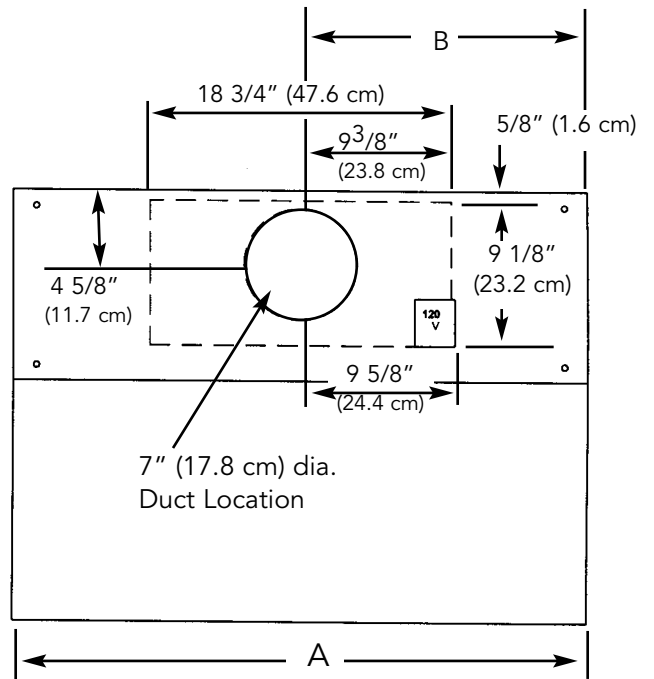
FOR 900, 1200 or 1500 CFM EXTERIOR VENTILATOR INSTALLATION



FOR 300, 600 or 1200 CFM INTERIOR VENTILATOR INSTALLATION

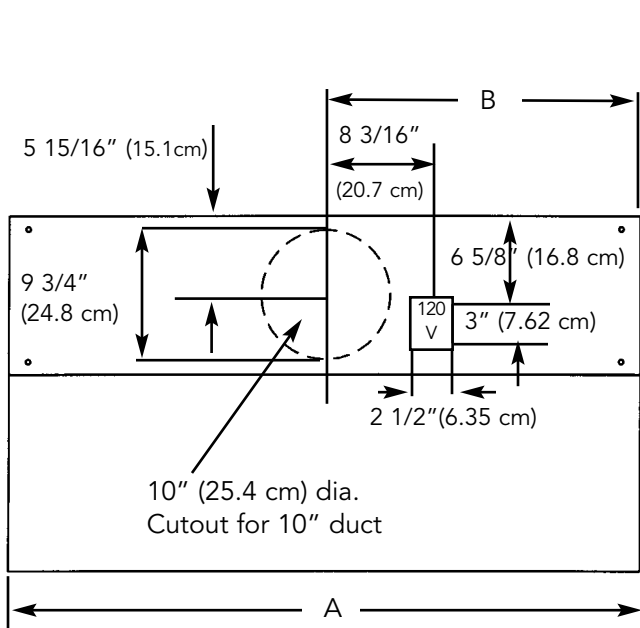


FOR 900 or 1200 CFM EXTERIOR VENTILATOR INSTALLATION
 24", 30", 36", 42" W. Models

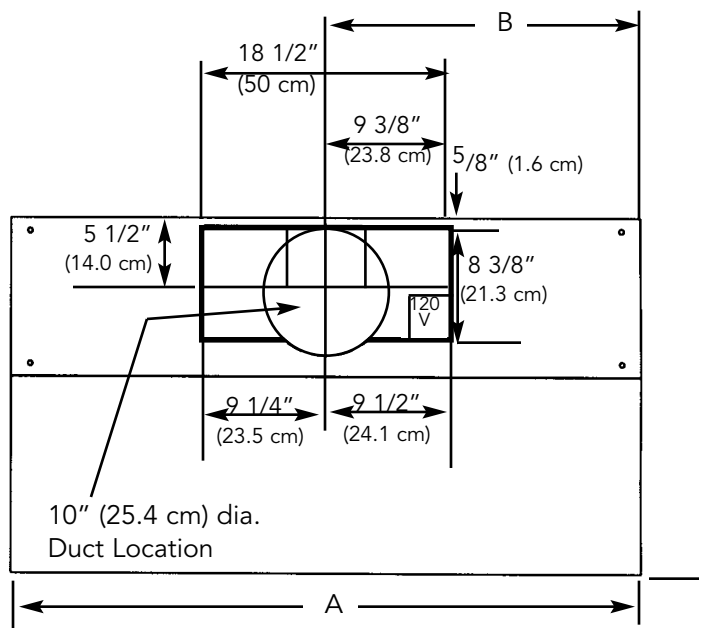


FOR 300 or 600 CFM INTERIOR VENTILATOR INSTALLATION
 24", 30", 36", 42" W. Models

*Note: "Dotted Line" (.....) represents cutout



FOR 1200 or 1500 CFM EXTERIOR
VENTILATOR INSTALLATION
48", 54", 60", 66" W. Models

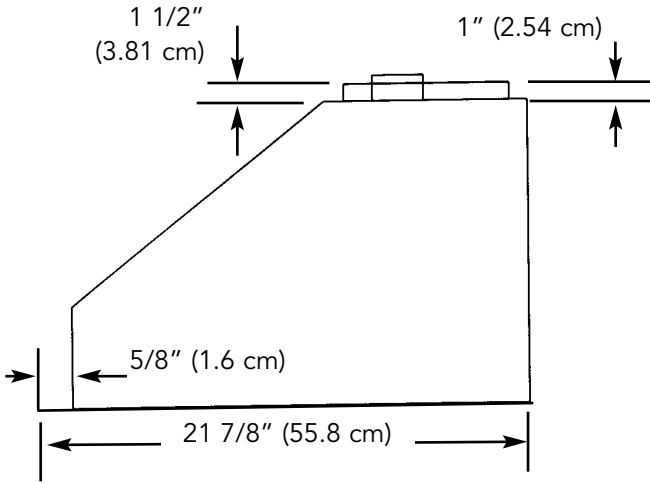


FOR 1200 CFM INTERIOR
VENTILATOR INSTALLATION
30", 36", 42", 48", 54", 60", 66" W. Models

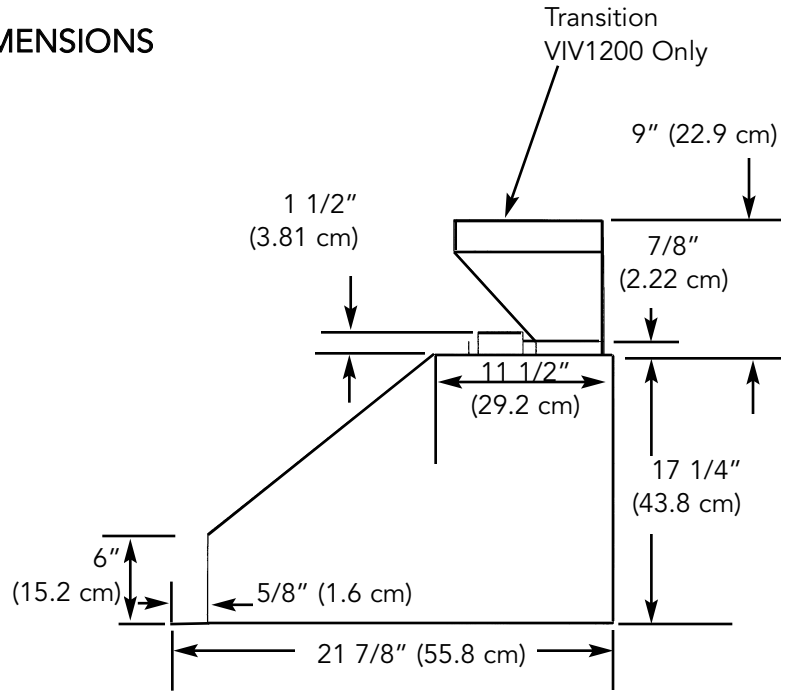
*Note: "Dotted Line" (.....) represents cutout

	A	B
24" W. Models	23 7/8" (60.6 cm)	11 15/16" (30.3 cm)
30" W. Models	29 7/8" (75.9 cm)	14 15/16" (37.9 cm)
36" W. Models	35 7/8" (91.1 cm)	17 15/16" (45.6 cm)
42" W. Models	41 7/8" (106.4 cm)	20 15/16" (18.2 cm)
48" W. Models	47 7/8" (121.6cm)	23 15/16" (60.8 cm)
54" W. Models	53 7/8" (136.8 cm)	26 15/16" (68.4 cm)
60" W. Models	59 7/8" (152.1 cm)	29 15/16" (76.0 cm)
66" W. Models	65 7/8" (167.3 cm)	32 15/16" (83.7 cm)

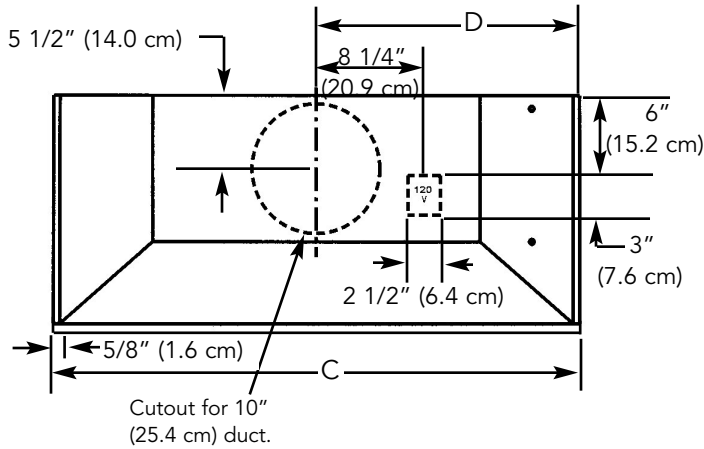
**BUILT-IN CUSTOM VENTILATOR SYSTEM DIMENSIONS
(VBCV Models)**



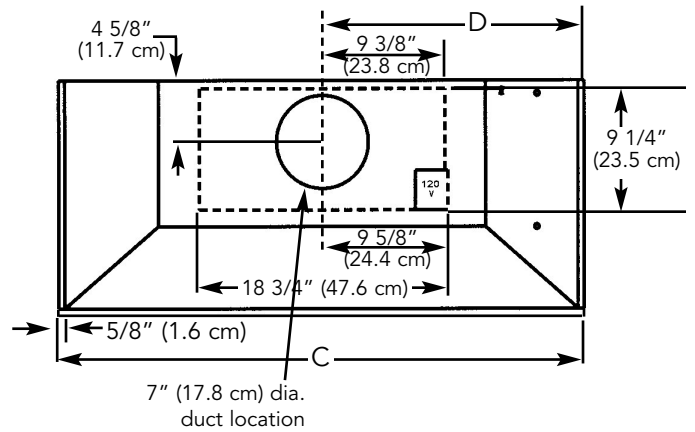
FOR 900, 1200 or 1500 CFM EXTERIOR VENTILATOR INSTALLATION



FOR 300, 600 or 1200 CFM INTERIOR VENTILATOR INSTALLATION



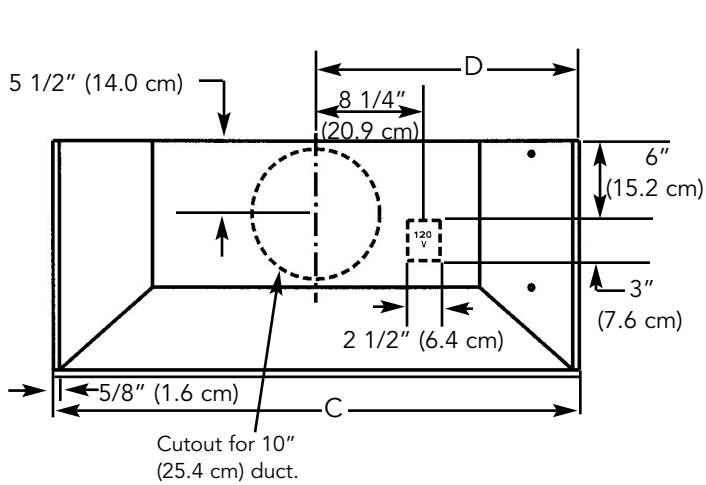
900 or 1200 CFM EXTERIOR VENTILATOR INSTALLATION
30", 36", 42" W. Models



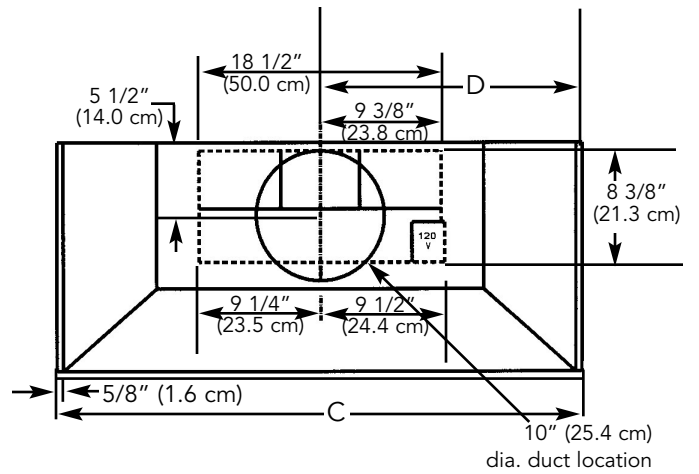
300 or 600 CFM INTERIOR VENTILATOR INSTALLATION
30", 36", 42" W. Models

	C	D
30" W. Models	28 1/4" (71.8 cm)	14 1/8" (35.9 cm)
36" W. Models	34 1/4" (87.0 cm)	17 1/8" (43.5 cm)
42" W. Models	40 1/4" (102.2 cm)	20 1/8" (51.1 cm)

*Note: "Dotted Line" (.....) represents cutout



48", 54", 60", 66" W. Models
1200 or 1500 CFM EXTERIOR VENTILATOR
INSTALLATION

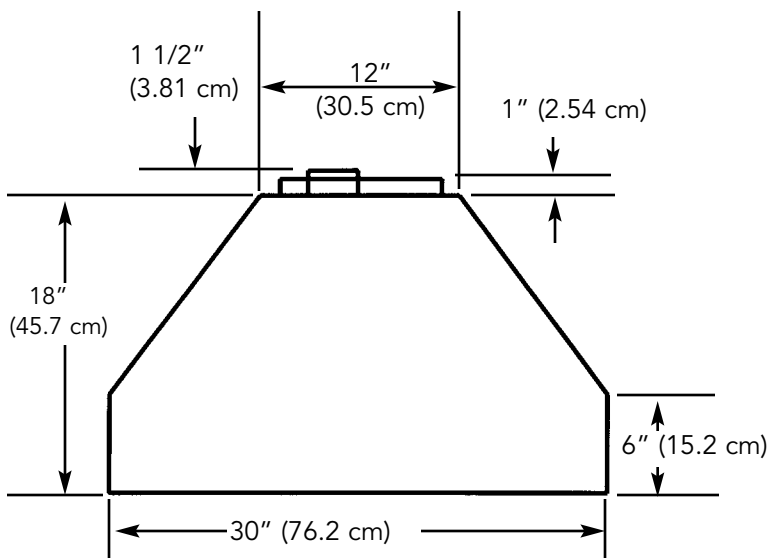


30", 36", 42", 48", 54", 60", 66" W. Models
1200 CFM INTERIOR VENTILATOR INSTALLATION

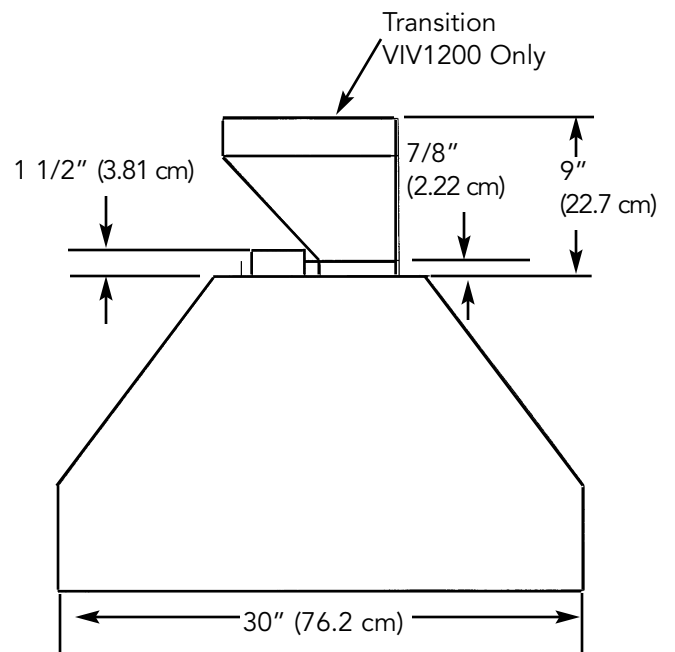
*Note: "Dotted Line" (.....) represents cutout

	C	D
30" W. Models	28 1/4" (71.8 cm)	14 1/8" (35.9 cm)
36" W. Models	34 1/4" (87.0 cm)	17 1/8" (43.5 cm)
42" W. Models	40 1/4" (102.2 cm)	20 1/8" (51.1 cm)
48" W. Models	46 1/4" (117.5 cm)	23 1/8" (58.7 cm)
54" W. Models	52 1/4" (132.7 cm)	26 1/8" (66.4 cm)
60" W. Models	58 1/4" (148.0 cm)	29 1/8" (74.0 cm)
66" W. Models	64 1/4" (163.2 cm)	32 1/8" (81.6 cm)

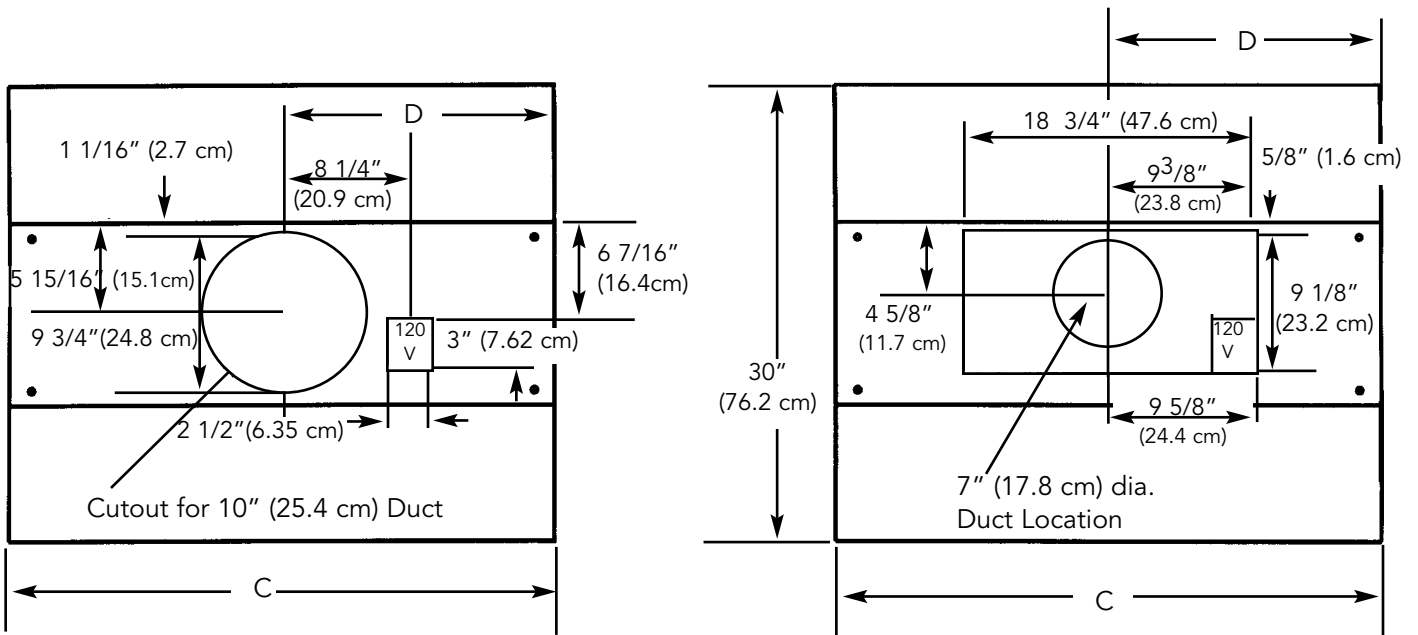
ISLAND HOOD DIMENSIONS (VIH Models)



FOR 900, 1200 or 1500 CFM EXTERIOR
VENTILATOR INSTALLATION



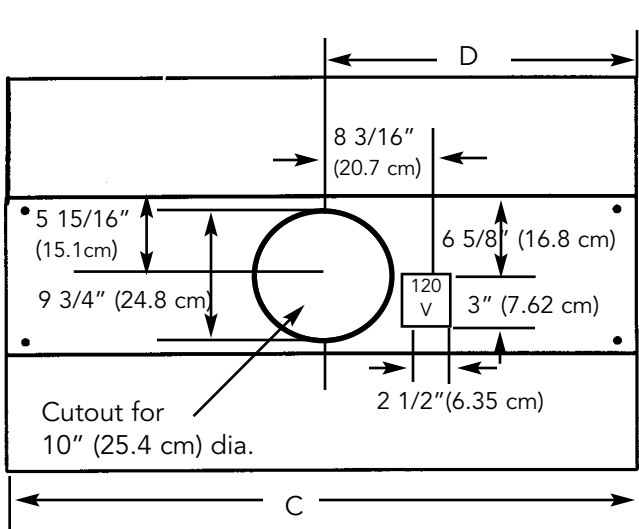
FOR 600 or 1200 CFM INTERIOR
VENTILATOR INSTALLATION



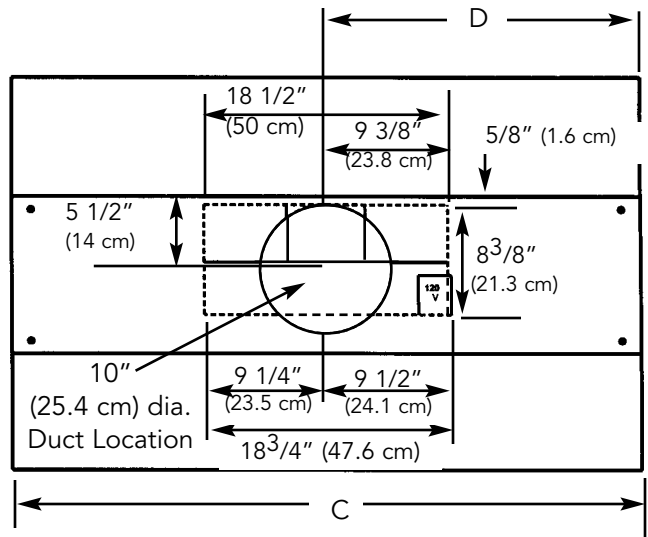
FOR 900 or 1200 CFM EXTERIOR VENTILATOR INSTALLATION
36\", 42\" W. Models

FOR 600 CFM INTERIOR VENTILATOR INSTALLATION
36\", 42\" W. Models

*Note: "Dotted Line" (.....) represents cutout



FOR 1200 or 1500 CFM EXTERIOR VENTILATOR INSTALLATION
42\", 54\", 66\" W. Models

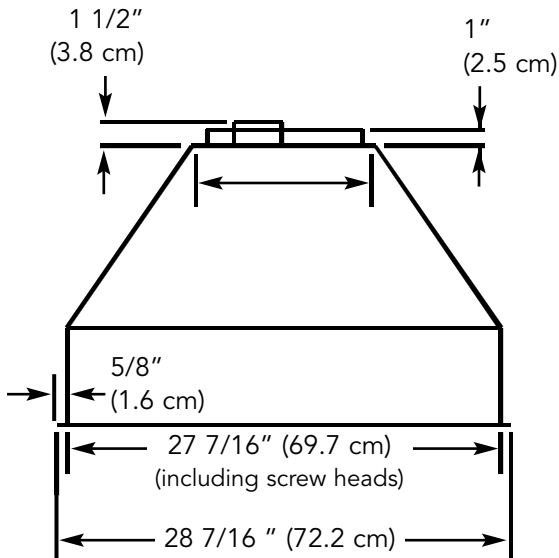


FOR 1200 or 1500 CFM INTERIOR VENTILATOR INSTALLATION
42\", 54\", 66\" W. Models

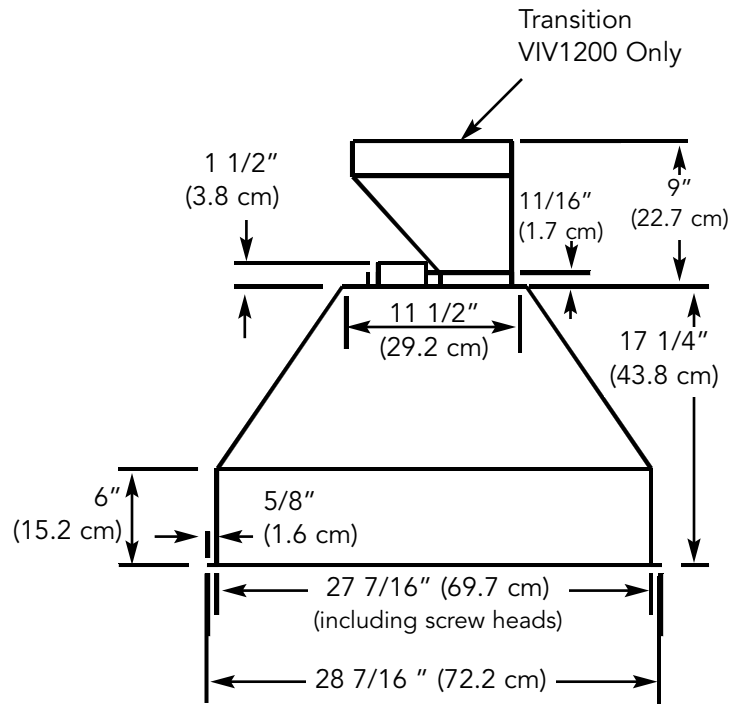
*Note: "Dotted Line" (.....) represents cutout

	C	D
36\" W. Models	35 7/8\" (91.1 cm)	17 15/16\" (45.56 cm)
42\" W. Models	41 7/8\" (106.4 cm)	20 15/16\" (18.18 cm)
54\" W. Models	53 7/8\" (136.8 cm)	26 15/16\" (68.42 cm)
66\" W. Models	65 7/8\" (167.3 cm)	32 15/16\" (83.66 cm)

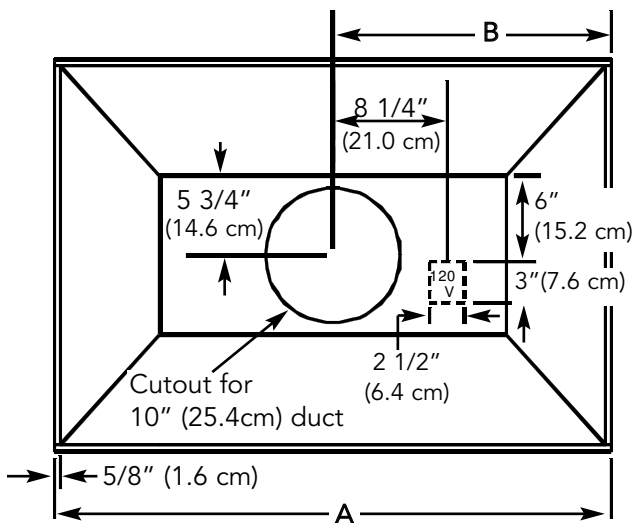
BUILT-IN CUSTOM VENTILATOR SYSTEM DIMENSIONS (VICV Models)



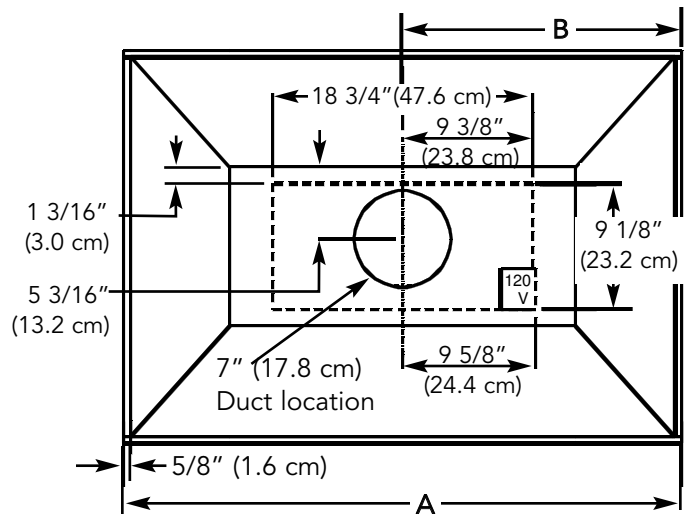
EXTERNAL POWER



INTERNAL POWER



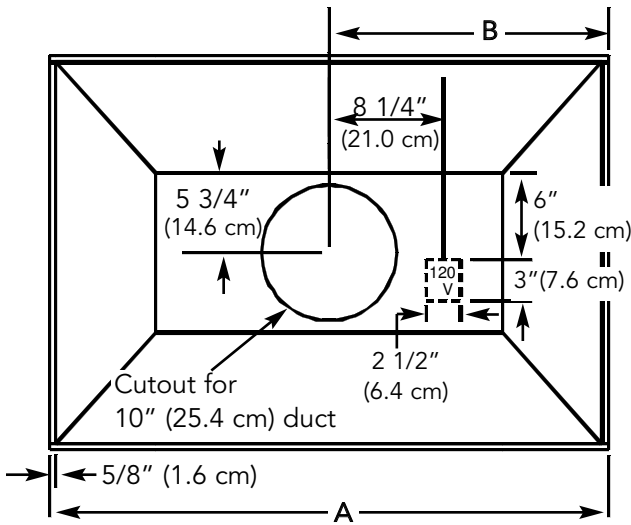
36", 42" W. Models
VEV900/VEV1200 EXTERNAL POWER



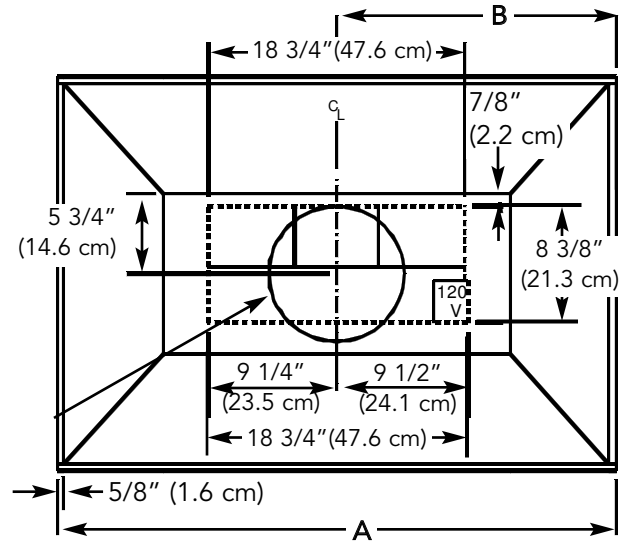
36", 42" W. Models
VIV600 INTERNAL POWER

*Note: "Dotted Line" (.....) represents cutout

	A	B
36" W. Model	34 1/4" (87.0 cm)	17 1/8" (43.5 cm)
42" W. Model	40 1/4" (102.2 cm)	20 1/8" (51.1 cm)



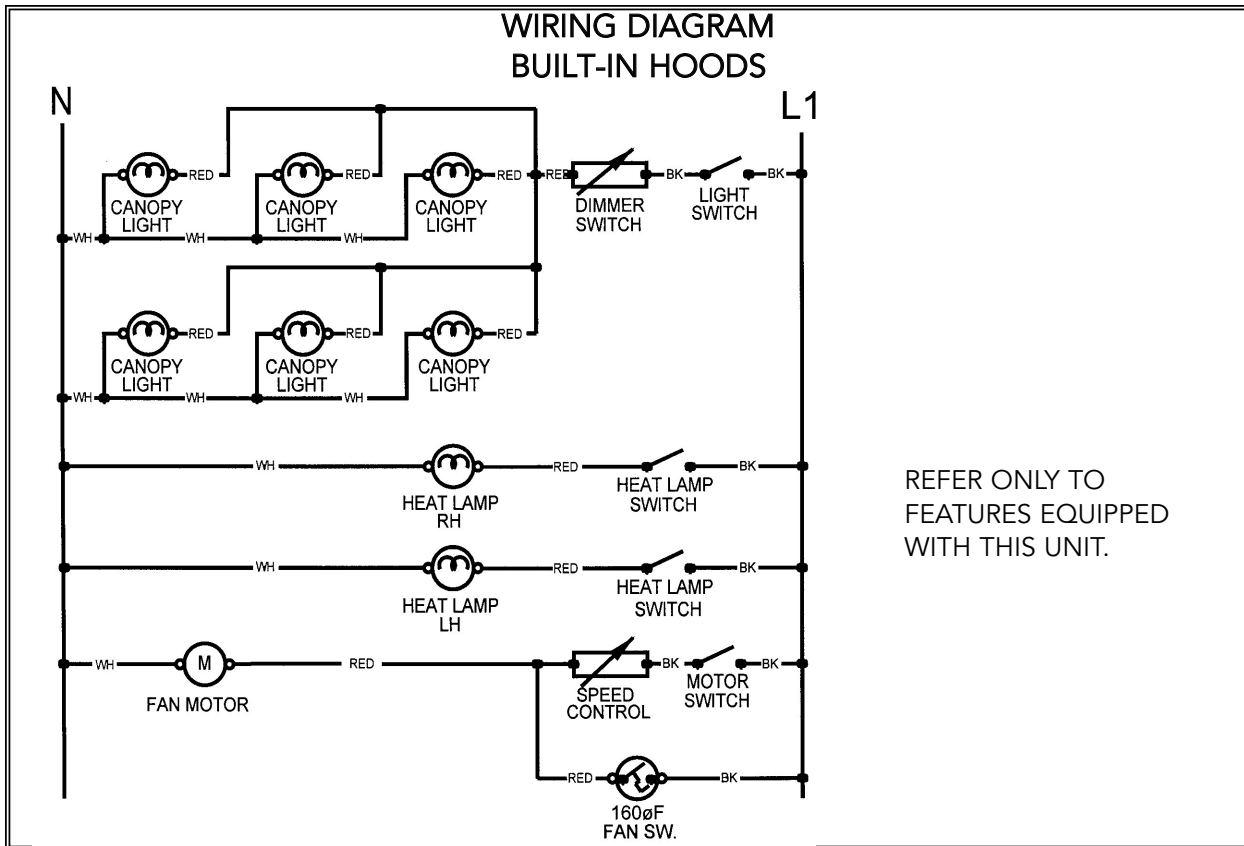
42", 54", 66" W. Models
VEV1200/VEV1500 EXTERNAL POWER



42", 54", 66" W. Models
VIV1200 INTERNAL POWER

*Note: "Dotted Line" (.....) represents cutout

	A	B
54" W. Model	52 1/4" (132.7 cm)	26 1/8" (66.4 cm)
66" W. Model	64 1/4" (163.2 cm)	32 1/8" (81.6 cm)





Viking Range Corporation
111 Front Street
Greenwood, Mississippi 38930 USA
(662) 455-1200

For more product information,
call 1-888-VIKING1 (845-4641)
or visit the Viking Web site at
vikingrange.com