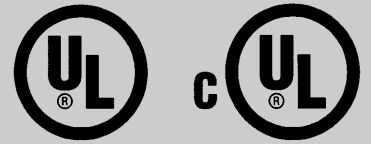


Viking Installation Guide



Built-In Interior Power 18" H. Hoods

Viking Range Corporation
111 Front Street
Greenwood, Mississippi 38930 USA

**NOTE: Includes Recirculating Hood Kit
Installation Instructions
(See page 5)**

**NOTE: IF INSTALLING HOOD WITH WARMING
SHELF PANEL, INSTALL WARMING SHELF
PANEL FIRST.**

IMPORTANT - PLEASE READ AND FOLLOW

- Before beginning, please read these instructions completely and carefully.
- Do not remove permanently affixed labels, warnings, or plates from the product. This may void the warranty.
- Please observe all local and national codes and ordinances. If no local codes are applicable, wire in accordance with the National Electrical Code, ANSI/NFPA 70-1990.
- **The installer should leave these instructions with the consumer who should retain for local inspector's use and for future reference.**

This hood is for residential installation only and is not designed for installation over a commercial product. Make sure power is off at the main circuit breaker or fuse box before making connections. **To avoid risk of fire, electric shock, or injury to persons, turn off the electricity to the hood from the power supply before servicing or cleaning.**

Viking hoods are equipped with variable speed controls for blowers. These units will not function with a single speed ventilator. All Viking ventilator kits are designed specifically for use with Viking hoods. Use of any non-Viking ventilator kit will void the hood warranty.

WARNING

TO REDUCE THE RISK OF FIRE, ELECTRICAL SHOCK, OR INJURY TO PERSONS, RANGEHOODS MUST BE INSTALLED WITH THE VENTILATORS THAT ARE SPECIFIED ON THEIR CARTON INDICATING SUITABILITY WITH THIS MODEL. OTHER VENTILATORS CANNOT BE SUBSTITUTED.

WARNING

TO REDUCE THE RISK OF FIRE, ELECTRICAL SHOCK, OR INJURY TO PERSONS, OBSERVE THE FOLLOWING:

1. Installation work and electrical wiring must be done by qualified person(s) in accordance with all applicable codes and standards, including fire-rated construction.
2. Sufficient air is needed for proper combustion and exhausting of gases through the flue (chimney) of fuel burning equipment to prevent back drafting. Follow the heating equipment manufacturer's guideline and safety standards such as those published by the National Fire Protection Association (NFPA), and the American Society for Heating, Refrigeration and Air Conditioning Engineers (ASHRAE), and the local code authorities.
3. When cutting or drilling into wall or ceiling, do not damage electrical wiring and other hidden utilities.
4. Ducted fans must always be vented to the outdoors.
5. **WARNING!:** To reduce the risk of fire, use only metal ductwork.
6. **CAUTION!:** To reduce risk of fire and to properly exhaust air, be sure to duct air outside. Do not vent exhaust air into spaces within walls or ceilings, or into attics, crawl spaces, or garages.

CAUTION

For general ventilating use only. Do not use to exhaust hazardous or explosive materials and vapors.

BASIC SPECIFICATIONS
INTERIOR-POWER 10"H. HOODS

Specifications	24" W. Model	30" W. Model	36" W. Model
Exhaust Capacity	460 CFM	460 CFM	460 CFM
Blower Motors	1	1	1
Electrical Requirements (120VAC/60Hz)	5.6 amps	5.6 amps	5.6 amps
Ducting Requirements *	7" (17.8 cm) round	7" (17.8 cm) round	7" (17.8 cm) round
Baffle Filters	2	2	2
Charcoal Filters**	N/A	2	2
Halogen Lights (50W)	2	2	2

* Disregard when using recirculating kits
 ** Recirculating kits only

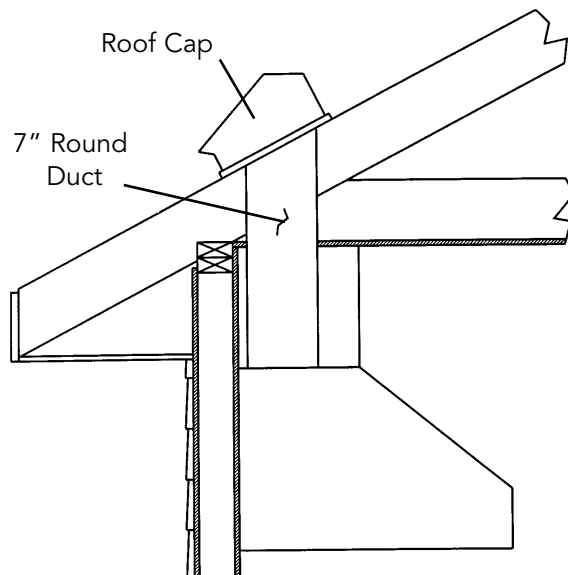
- Maximum duct run length: 50 Ft. (152.4 cm)
- All CFM's stated are based on tests with .1 static pressure; without applying static pressure (as some brands consciously do), CFM could be greatly overstated.
- Duct run length is for general reference only; for longer duct runs, increase duct size and contact a qualified and trained installer.
- Straight runs and gradual turns are best; avoid sharp turns; for example, each 90° elbow is equivalent to 5 - 10 feet (1.52 m - 3.05 m) of straight run.
- NEVER USE FLEXIBLE DUCT; It creates back pressure / air turbulence and greatly reduces performance.
- Proper performance is dependent upon proper ducting; make sure that a qualified and trained installer is used.
- Check with a qualified and trained installer or local codes for makeup air requirements, if any.

INSTALLATION

Plan where and how the ductwork will be located. Install proper-sized duct work, transition(s), elbow(s) and roof or wall cap.

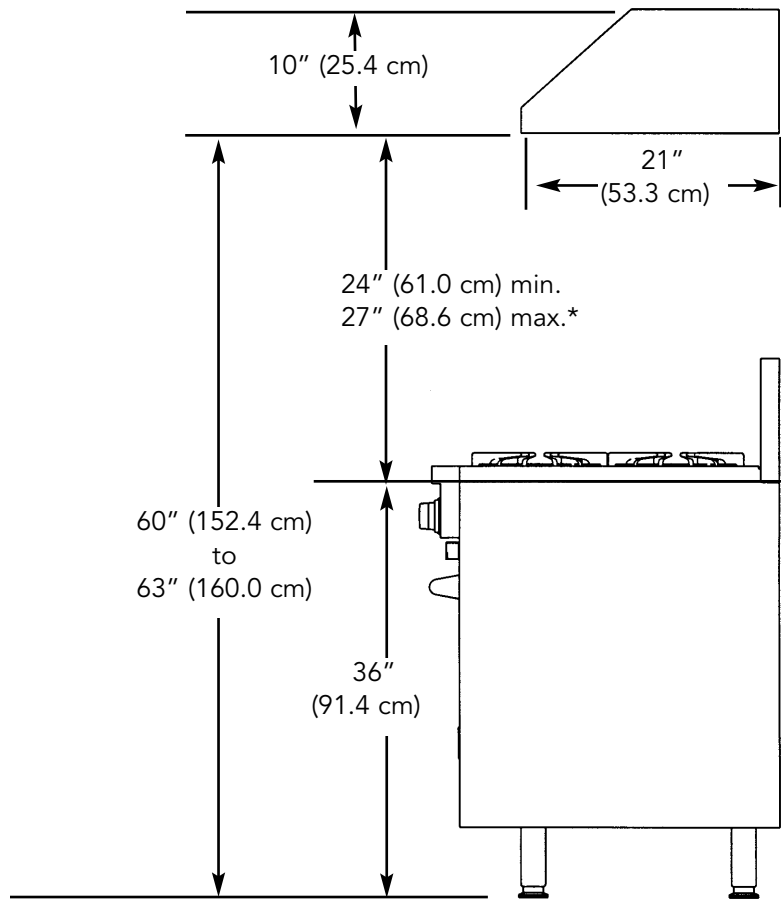
Dimensions for the most common installations are shown ABOVE.

Adjust your measurements for various heights of ceilings, soffits, cabinets, or cooktops.



HEIGHT OF HOOD

The bottom of the hood should be 24" (61.0 cm) min. to 27" (68.6 cm) max. above the countertop. This would result in the bottom of the hood being 60" (152.4 cm) to 63" (160.0 cm) above the floor. These dimensions provide for safe and efficient operation of the hood and a more proportionately pleasing and attractive installation.



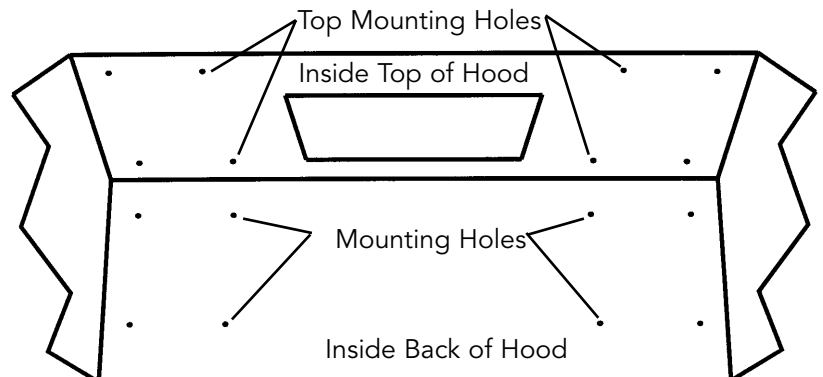
***NOTE:** When installing with a 24" H. high shelf, the 27" (68.6 cm) max. dimension must be used.

INSTALLING HOOD

Center hood over location and hold it against bottom of soffit or flue. Secure hood to wall with mounting screws.

Use additional mounting screws (and wall anchors if necessary) through outer set of holes.

NOTE: BECAUSE OF THE WEIGHT OF THE HOOD - MAKE SURE THAT THE OUTER MOUNTING SCREWS ARE DRIVEN INTO THE SOFFIT FRAMING AND NOT JUST THE DRYWALL



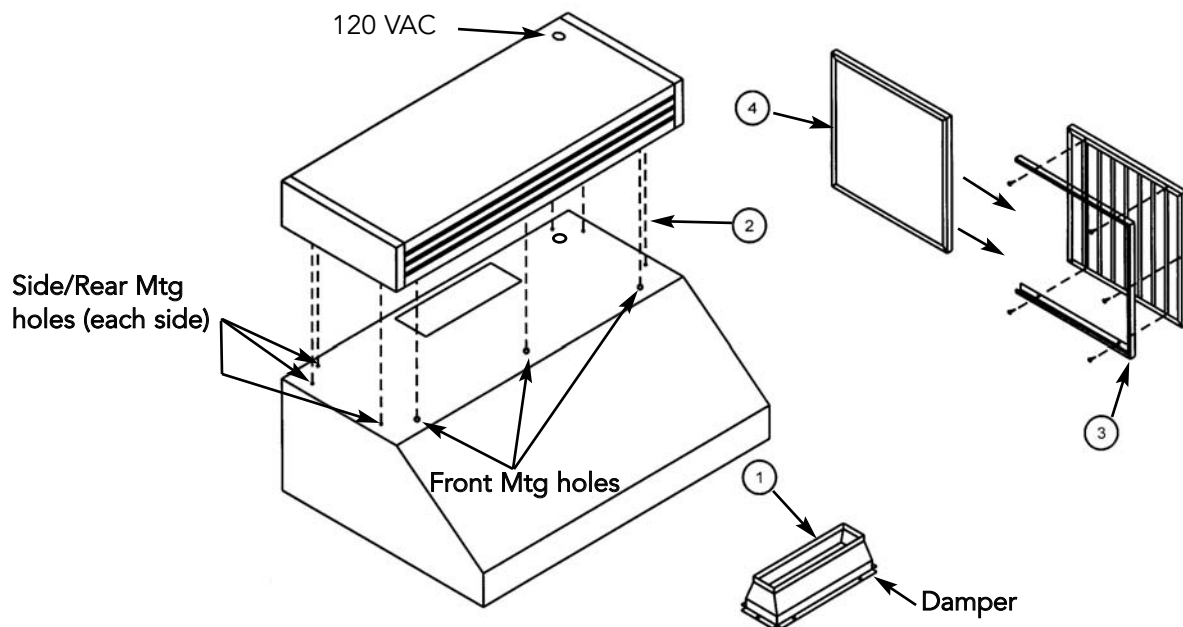
INSTALLING DUCT

1. Use 7" round ductwork. Run ductwork from roof cap or wall cap, to the installation location. For best performance, use the straightest possible duct run and the fewest number of elbows. Tape all joints.
2. Run 120 VAC electrical power cable from service panel to installation location.
3. Connect transition provided to the damper on top of hood. Tape all joints.
4. Connect the same transition to the duct extending from the roof/wall cap. Tape all joints.
5. Remove wire box cover. Remove a knockout from the wiring box. Feed 6" of power cable through opening and attach cable to wiring box with appropriate connector.
6. Wire black to black, white to white, and green or bare wire beneath green ground screw. Replace wire box cover.
7. If using a duct cover, from inside the hood, attach duct cover to top of hood using the #8 screws provided with duct cover.

Use duct tape to make all joints secure and air tight. In some installations, it is easier to attach transition to plate before attaching plate to hood.

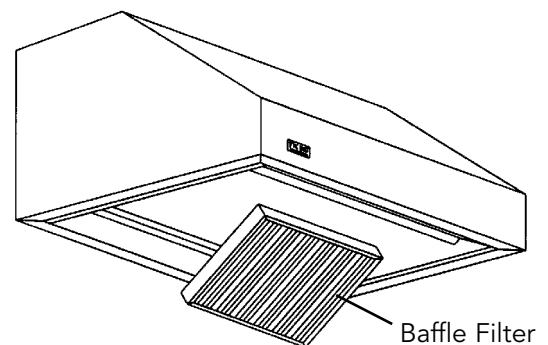
INSTALLING RECIRCULATING HOOD KIT (sold separately)

1. Remove the damper from the canopy assembly and discard along with the 3/4" x 10" to 7" diameter transition.
2. Slide the recirculating assembly onto the top of the hood and secure on the sides/rear using the (6) #10 x 1/2" screws provided. The front mounting holes will use the (3) #10-24 X 1/2" screws and #10-24 lock nuts provided.
3. Attach the charcoal filter channel to the filter as shown.
4. Slide the charcoal filter in place and install in hood.



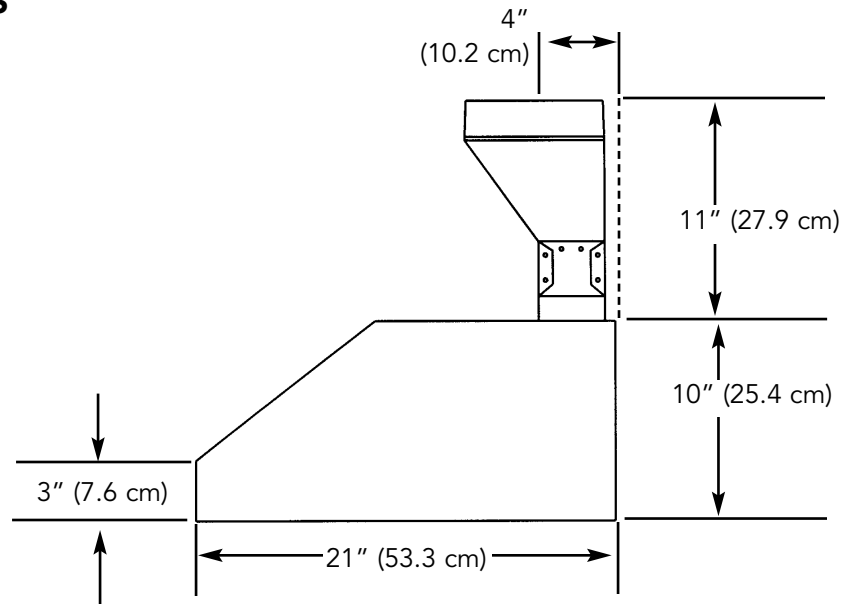
After installing the hood:

Set the baffle filters in place on the front ledge and raise until it drops into place on rear ledge.

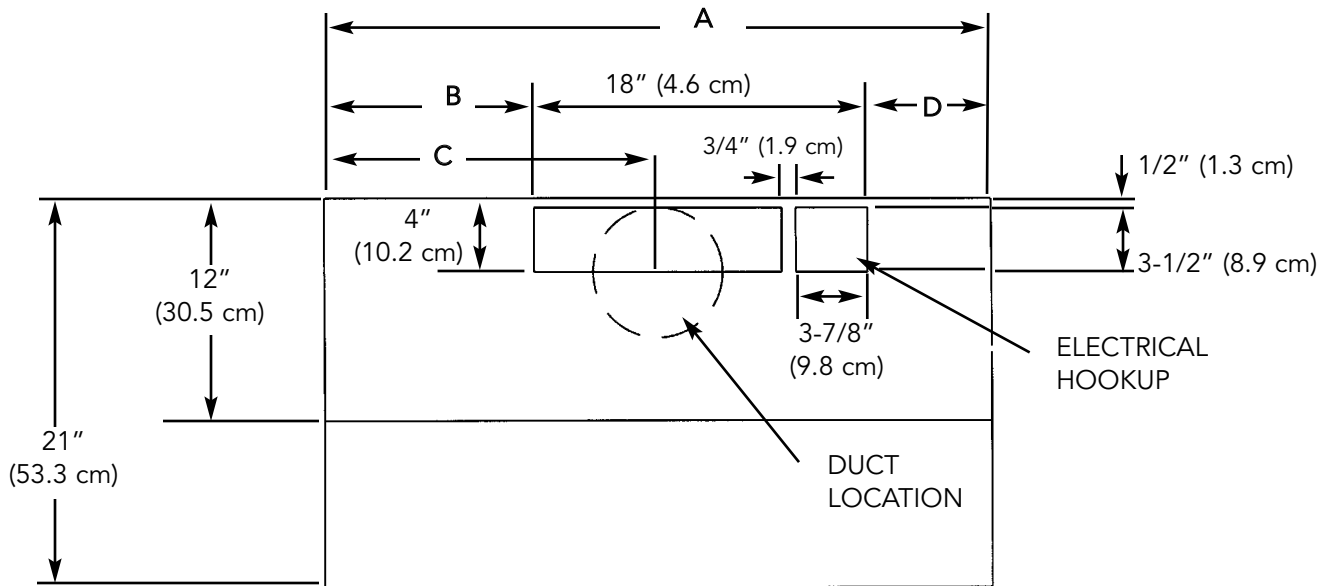


**WALL HOOD DIMENSIONS
(VWH Models Only)**

SIDE VIEW



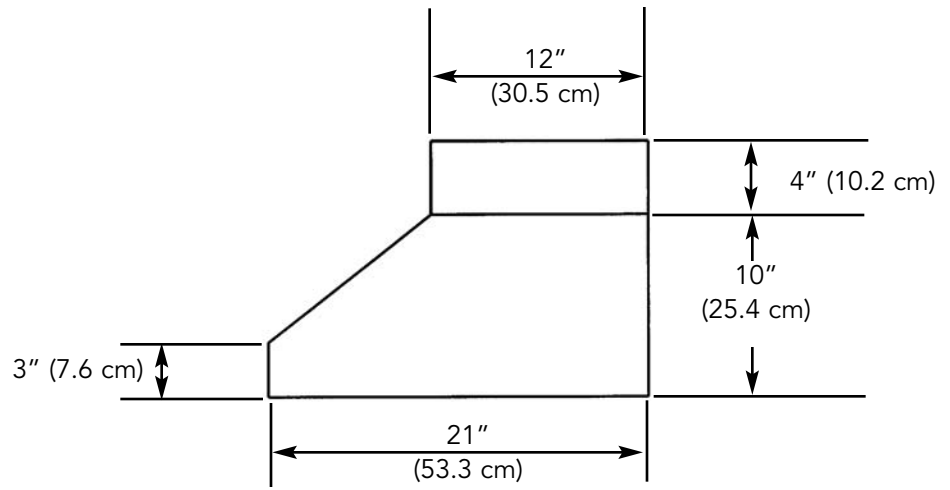
TOP VIEW



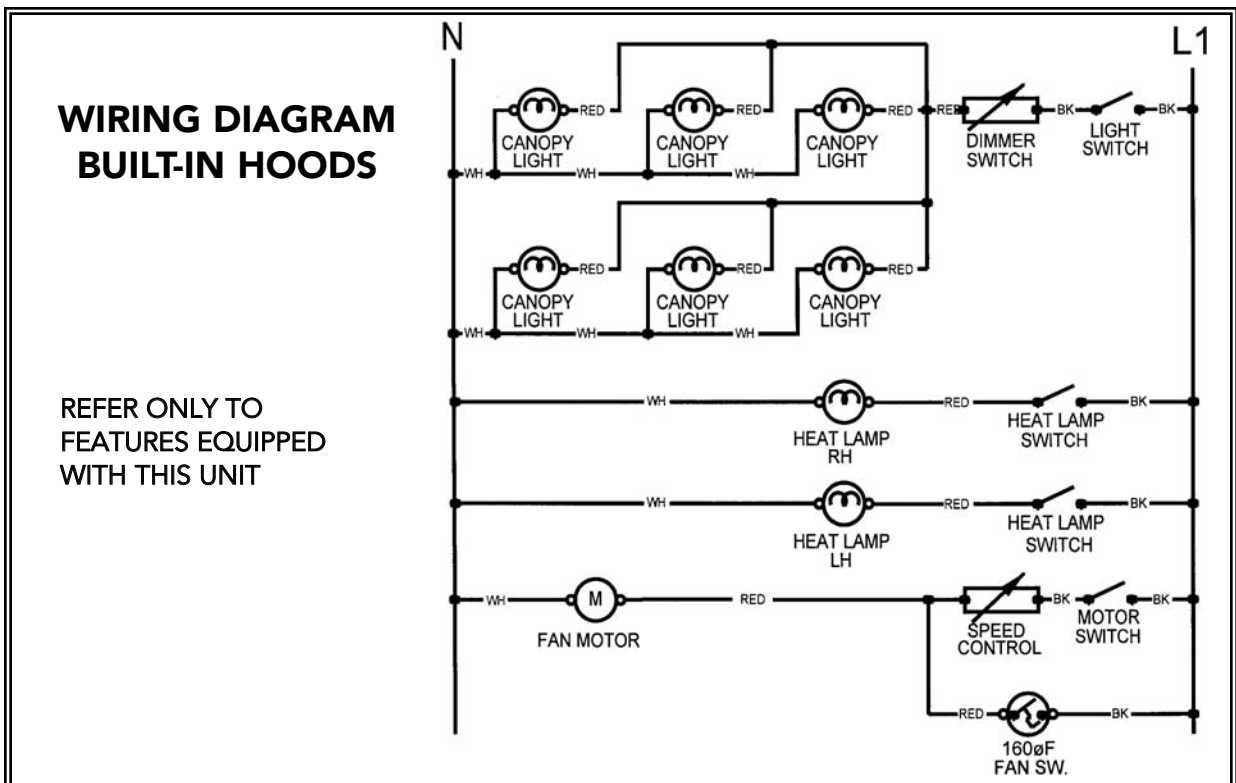
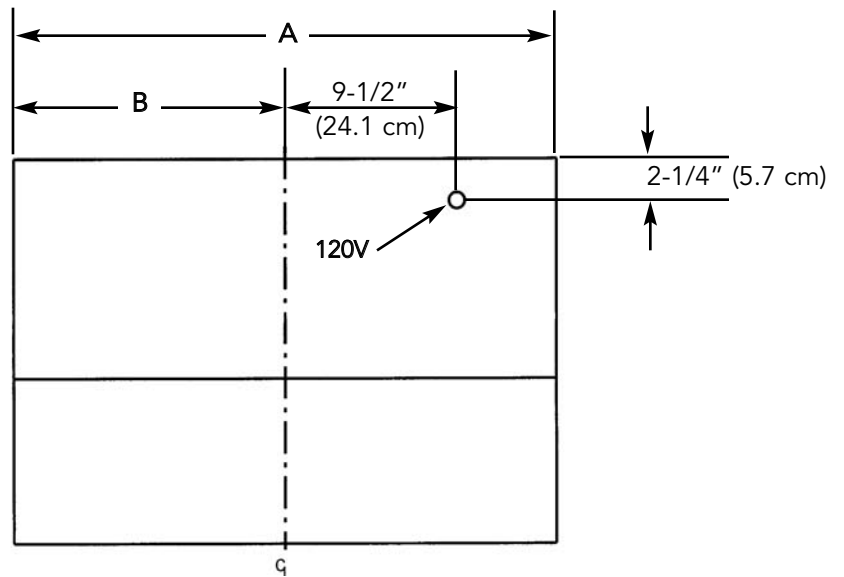
	A	B	C	D
24" W.	23 7/8" (60.6 cm)	5 1/4" (13.3 cm)	11 15/16" (30.3 cm)	5/8" (1.6 cm)
30" W.	29 7/8" (75.9 cm)	8 1/4" (20.9 cm)	14 15/16" (37.9 cm)	3 5/8" (9.2 cm)
36" W.	35 7/8" (91.1 cm)	11 1/4" (28.6 cm)	17 15/16" (45.6 cm)	6 5/8" (16.8 cm)

RECIRCULATING WALL HOOD DIMENSIONS (VWH/VRK Models)

Side View



	A	B
24" W.	23 7/8" (60.6 cm)	11-15/16" (30.3 cm)
30" W.	29-7/8" (75.9 cm)	14-15/16" (37.9 cm)
36" W.	35-7/8" (91.1 cm)	17-15/16" (45.6 cm)





Viking Range Corporation
111 Front Street
Greenwood, Mississippi 38930 USA
(662) 455-1200

For more product information,
call 1-888-VIKING1 (845-4641)
or visit the Viking Web site at
vikingrange.com