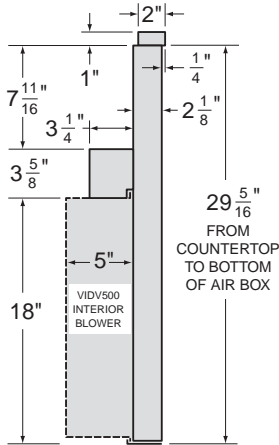


TAKE MEASUREMENTS (CONTINUED)

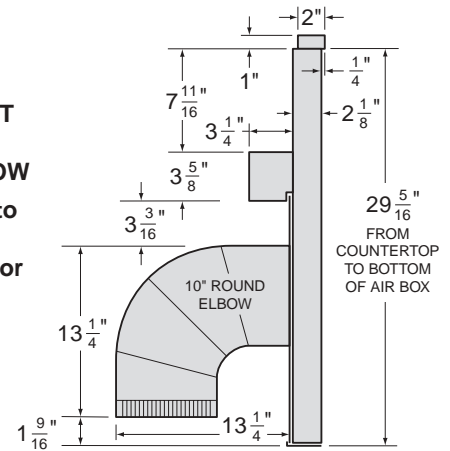
Interior Blower Installation

SIDE VIEW OF DOWNDRAFT WITH VIDV500 INTERIOR BLOWER



Exterior Blower Installation

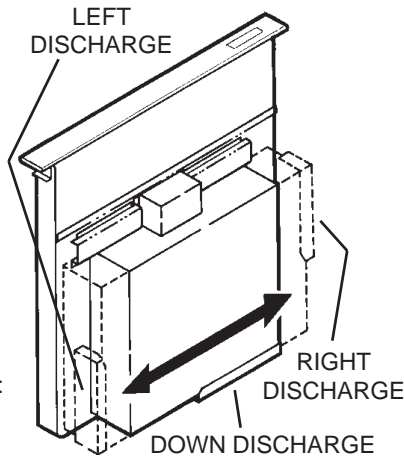
SIDE VIEW OF DOWNDRAFT WITH 10" ROUND ELBOW (for connection to VEDV900 or VEDV1200 Exterior Blower)



PLAN THE DUCTWORK

Interior Blower Installation

1. The interior downdraft blower system is designed for use with 3-1/4" x 10" ductwork (can be transitioned to 6" round). Three different discharge directions are available with side-to-side adjustment for accurate alignment of ductwork.
2. For best performance: Choose the ducting option which allows the shortest length of ductwork and a minimum number of elbows and transitions. Check location of floor joists, wall studs, electrical wiring or plumbing for possible interference.



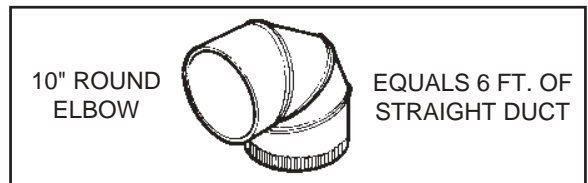
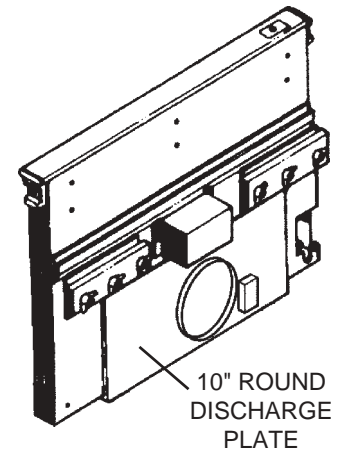
<p>6" ROUND ELBOW</p> <p>EQUALS 6 FT. OF STRAIGHT DUCT</p>	<p>3-1/4" X 10" TO 6" RD. TRANSITION</p> <p>EQUALS 2 FT. OF STRAIGHT DUCT</p>	<p>3-1/4" X 10" 90° ELBOW</p> <p>EQUALS 8 FT. OF STRAIGHT DUCT</p>
--	---	--

3. The system will operate most efficiently when the ductwork does not exceed 40 feet of equivalent duct. The chart, above, shows equivalent feet of elbows and transitions. The number of feet of straight duct plus the equivalent feet of transitions and/or elbows to be used should equal 40 feet or less.

NOTE: The equivalent feet of various roof and wall caps has been taken into consideration. Do not include them in this calculation.

Exterior Blower Installation

1. The exterior downdraft blower system is designed for use with 10" round ductwork.
2. For best performance: Plan ducting which has the shortest length of ductwork and a minimum number of elbows. Check location of floor joists, wall studs, electrical wiring or plumbing for possible interference.

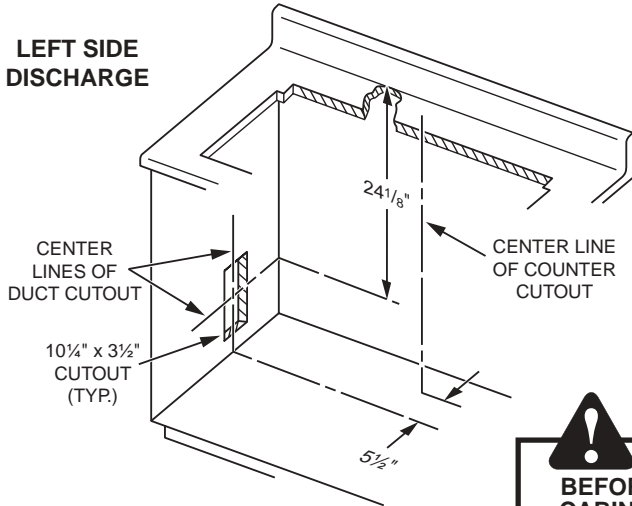


3. The system will operate most efficiently when the ductwork does not exceed 40 feet of equivalent duct. The illustration, above, shows equivalent feet of a 10" round elbow. The number of feet of straight duct plus the equivalent feet of elbows to be used should equal 40 feet or less.

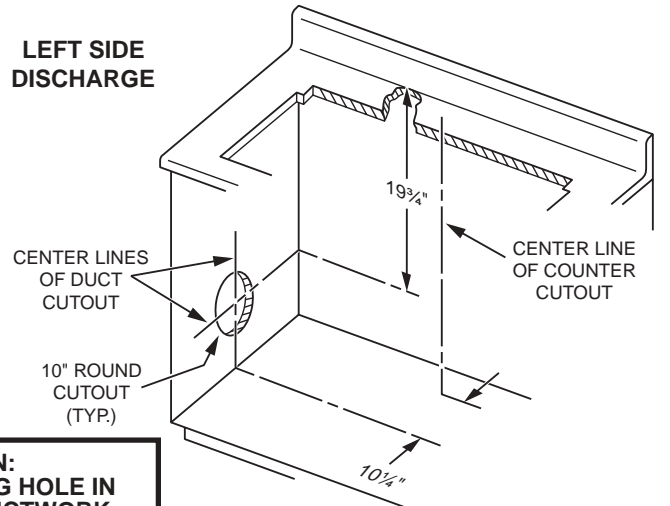
NOTE: The equivalent feet of various roof and wall caps has been taken into consideration. Do not include them in this calculation.

PLAN THE CABINET CUTOUTS

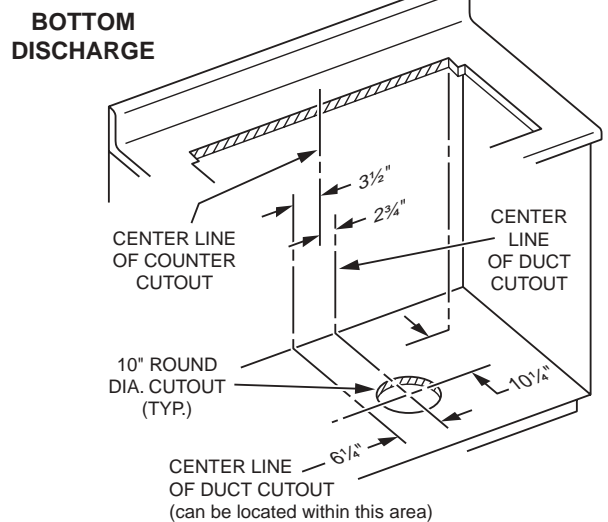
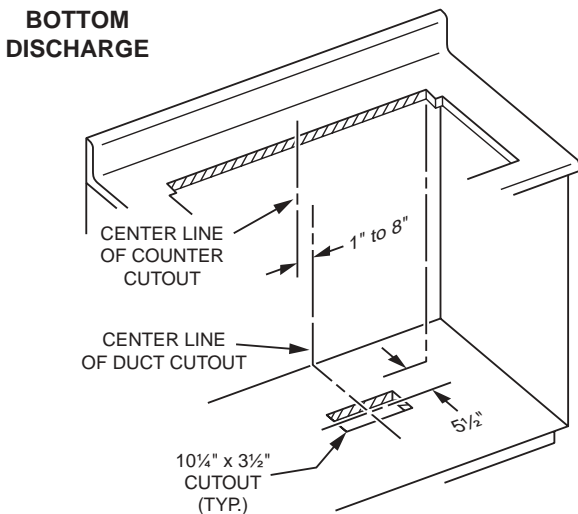
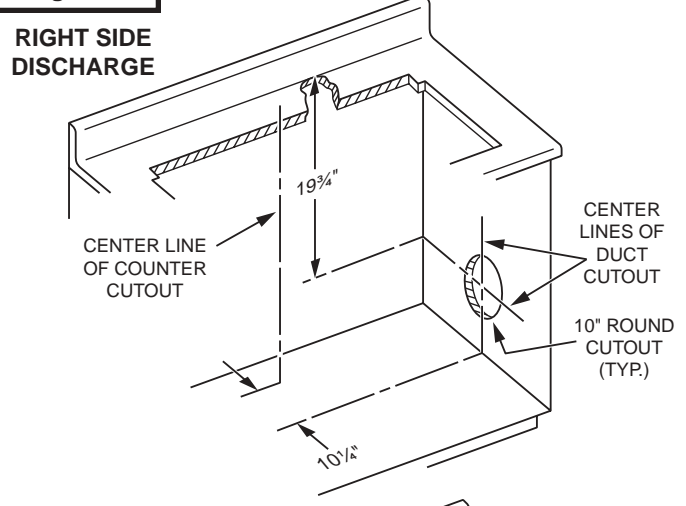
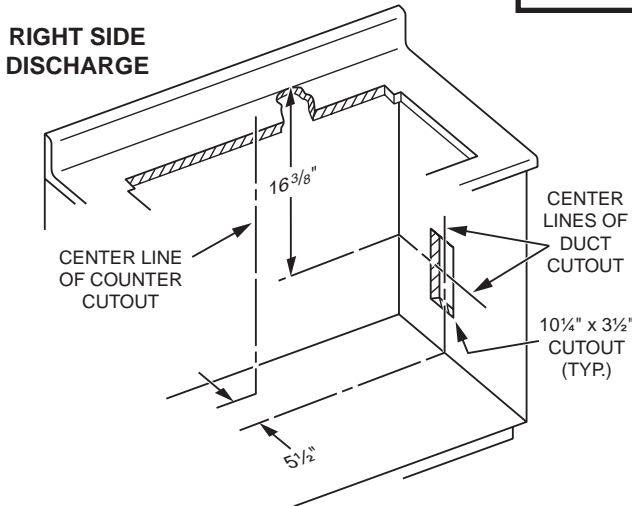
Interior Blower Installation



Exterior Blower Installation



CAUTION:
BEFORE CUTTING HOLE IN CABINET FOR DUCTWORK,
 check for interference with floor joists, wall studs, electrical wiring, or plumbing.

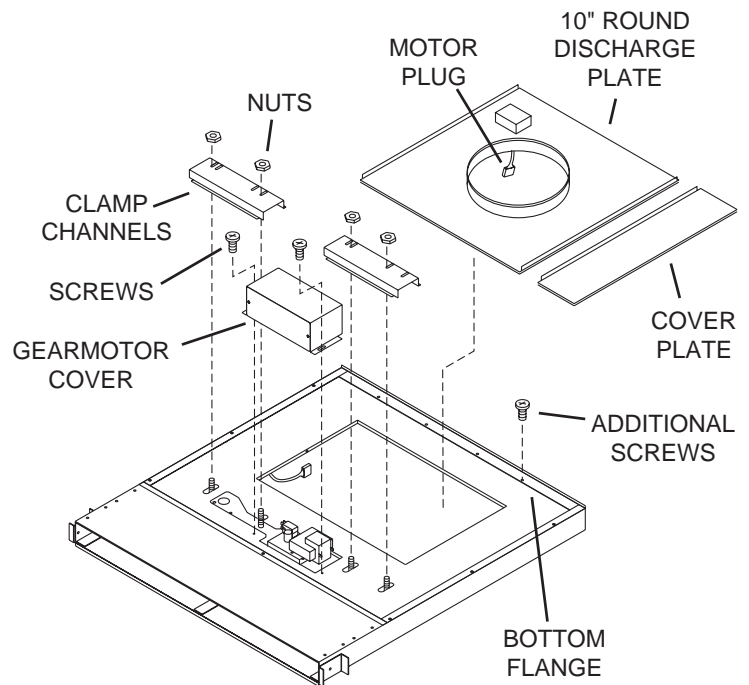


PREPARE THE DOWNDRAFT

Exterior Blower Installation

The downdraft is shipped without a blower. Purchase a Model VEDV900 or VEDV1200 Exterior Blower and mount the **10" discharge plate** to the downdraft as follows:

1. Place the downdraft on its back on a table of flat work surface.
2. Remove the **4 nuts** and **2 clamp channels**.
3. Remove **2 screws** and the **gear motor cover**.
4. Carefully position the 10" discharge plate under the **bottom flange** of the downdraft.
5. Connect **motor plug**.
6. Replace the gear motor cover and 2 sheet metal screws.
7. Replace the 2 clamp channels and start the 4 nuts, do not tighten.
8. Slide blower left of right to desired position. Use **cover plate** (supplied) to close up any open space.
9. Tighten 4 nuts to secure top of blower. Use **additional screws** (supplied) through bottom flange to secure bottom of discharge plate.



CUT COUNTERTOP OPENING

All Units

1. Measure and cut the countertop opening for your width of cooktop and downdraft.

Cooktop Width & Model	30" VECU	36" VECU	VGSU102	VGSU162	30" VGRT *	36" VGRT *	48" VGRT *
For use with Downdraft Models	VIPR101SS VIPR101RSS	VIPR161SS VIPR161RSS	VIPR101SS VIPR101RSS	VIPR161SS VIPR161RSS	VIPR101RSS	VIPR161RSS	VIPR181RSS
Cutout Dimensions							
A	28-3/4"	34-3/4"	28-1/16"	34-1/4"	30"	36"	48"
B	20-1/4"	20-1/4"	18-3/4"	18-3/4"	24"	24"	24"
C	27"	33"	26-3/4"	33"	27"	33"	45"
D	2-1/4"	2-1/4"	3"	3"	2-3/4"	2-3/4"	2-3/4"
E	7/8"	7/8"	---	---	1-1/2"	1-1/2"	1-1/2"
F	7/8"	7/8"	1-5/16"	1-1/4"	1-1/2"	1-1/2"	1-1/2"

* Must use island trim. Rear countertop trim (supplied with island trim) will be used in this installation.

