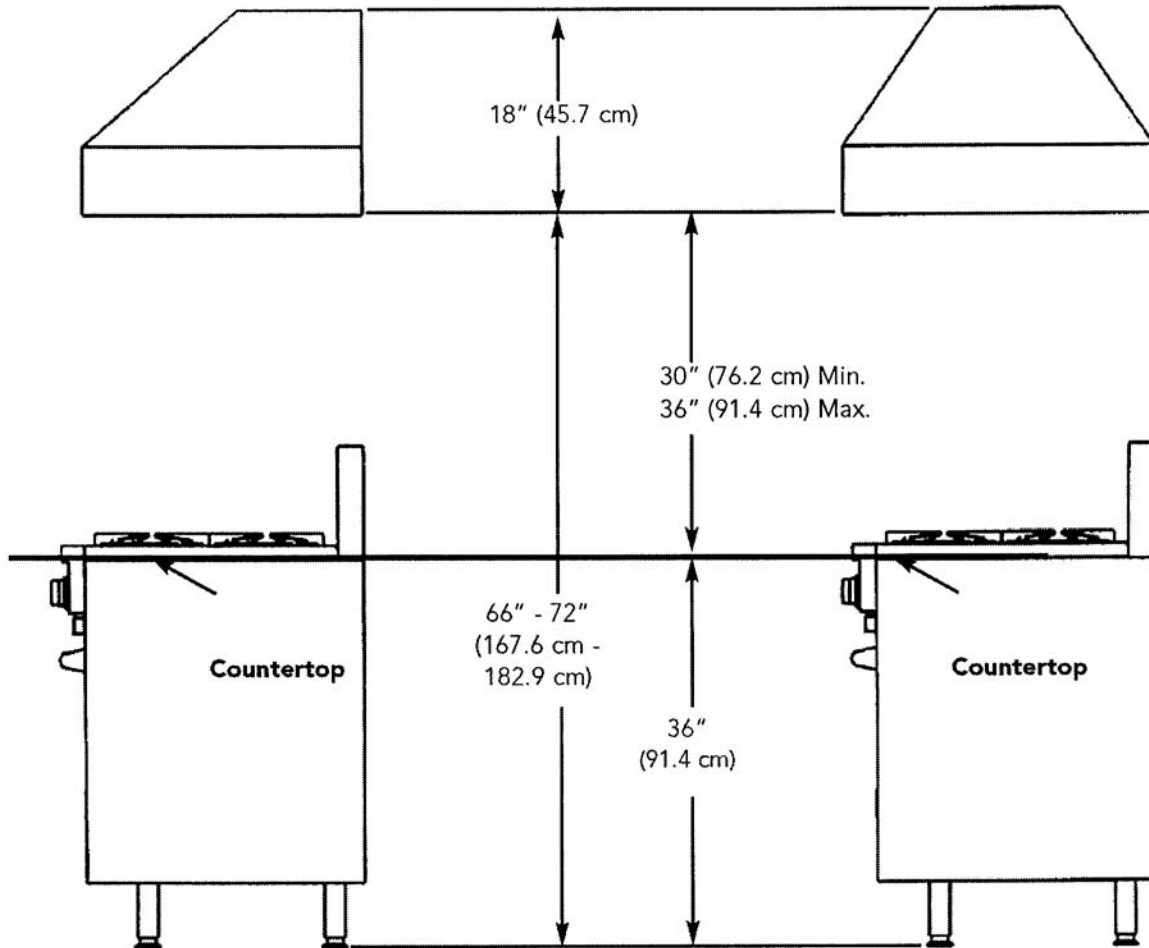


HEIGHT OF HOOD

The bottom of the hood should be 30" (76.2 cm) min. to 36" (91.4 cm) max. above the countertop. This would typically result in the bottom of the hood being 66" (167.6 cm) to 72" (175.3 cm) above the floor. The bottom of the hood should never be more than 72" (182.9 cm) above the floor or more than 36" (91.4 cm) above the countertop. These dimensions provide for safe and efficient operation of the hood.

WALL INSTALLATION

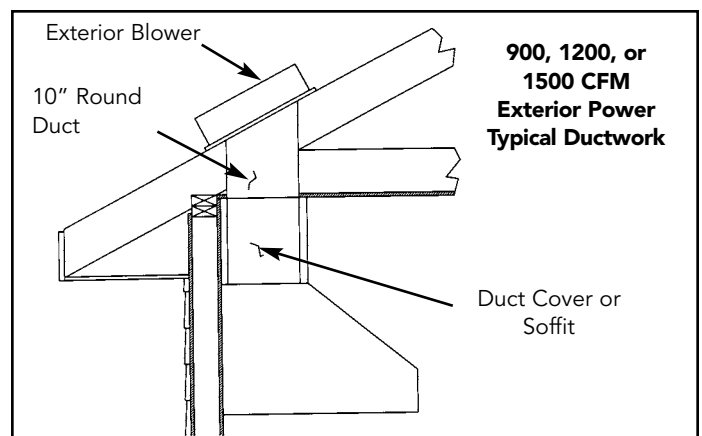
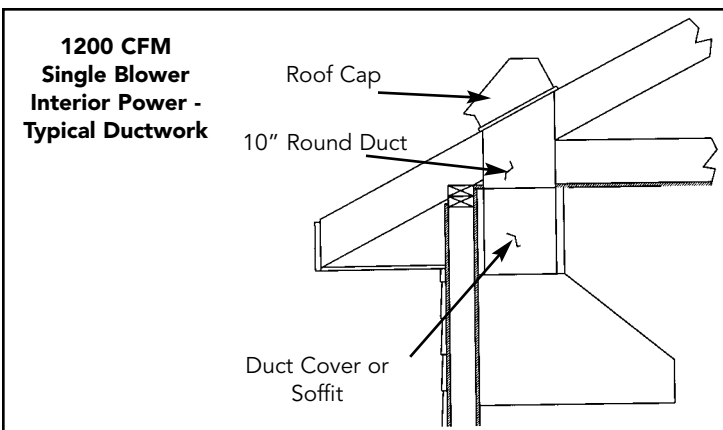
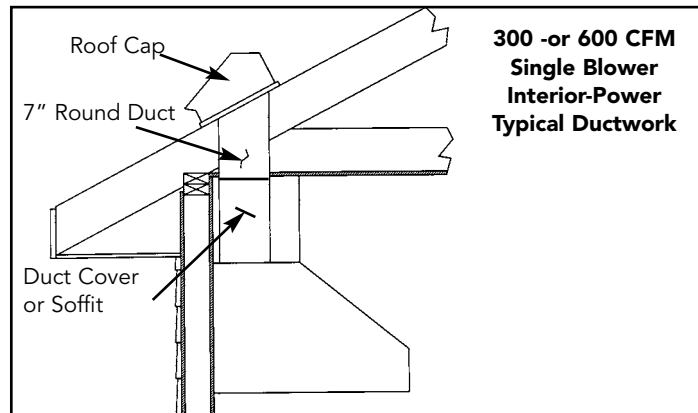
ISLAND INSTALLATION



PREPARING FOR HOOD INSTALLATION

Plan where the ductwork will be located. See pages 11-14 for rough-in dimensions. Install proper-sized duct work, and roof or wall cap for the type of blower you are using. Recommended hood locations for the most common installations are shown on page 2.

Adjust your measurements for various heights of ceilings, soffits, cabinets, or ranges/rangetops.



ELECTRICAL SUPPLY

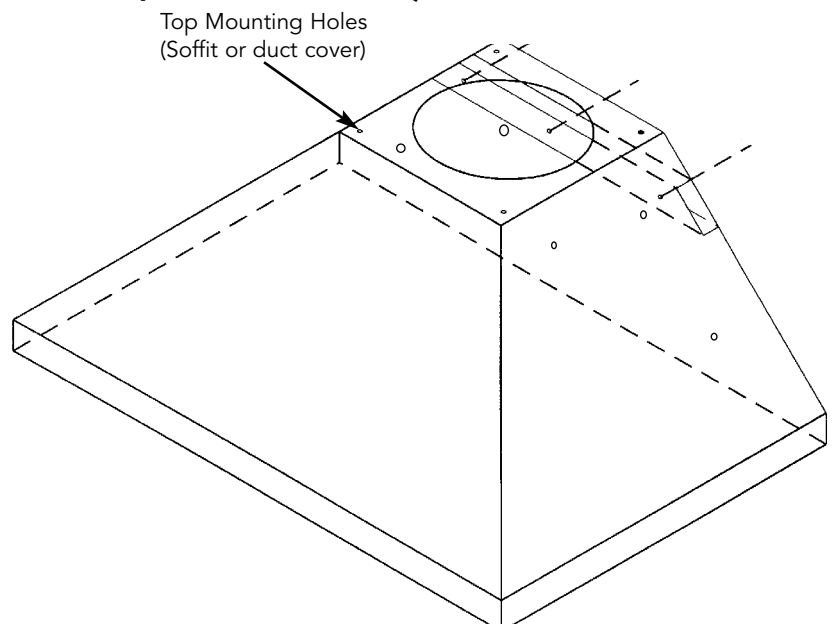
Run 120 VAC electrical power cable from service panel to installation location. See "Basic Specifications" on page 15 for the maximum amp requirements.

(BEFORE INSTALLING ISLAND HOOD CANOPY, SKIP TO PAGE 5)

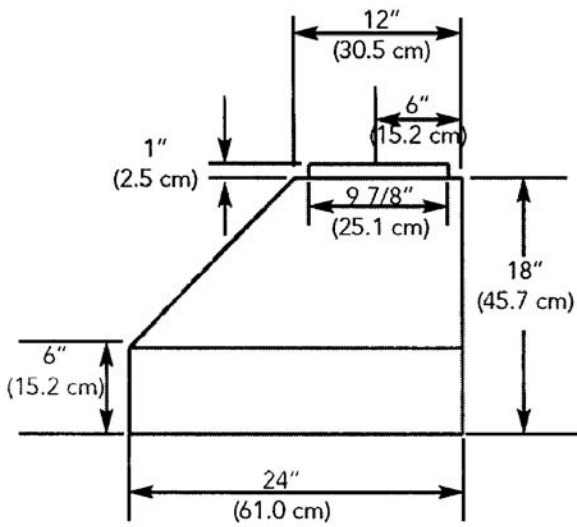
INSTALLING HOOD CANOPY

Center the canopy and attach to wall. Secure the hood to wall with mounting screws provided. Make sure that the mounting screws are driven into the framing and not just the drywall. Use additional mounting screws (and wall anchors if necessary) in the other holes.

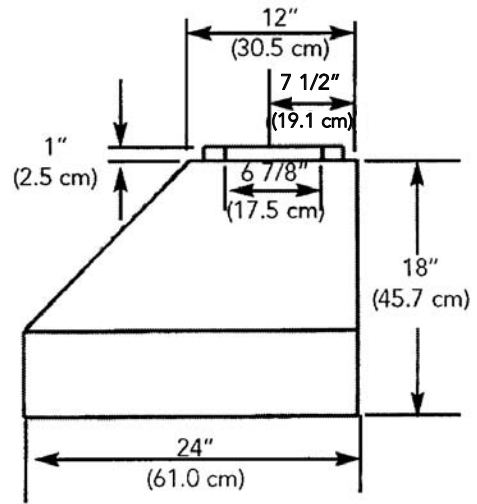
NOTE: BECAUSE OF THE WEIGHT OF THE HOOD - MAKE SURE THAT THE MOUNTING SCREWS ARE DRIVEN INTO THE FRAMING AND NOT JUST THE DRYWALL. IT MAY BE NECESSARY TO DRILL ADDITIONAL HOLES IN THE CANOPY FOR PROPER ALIGNMENT.



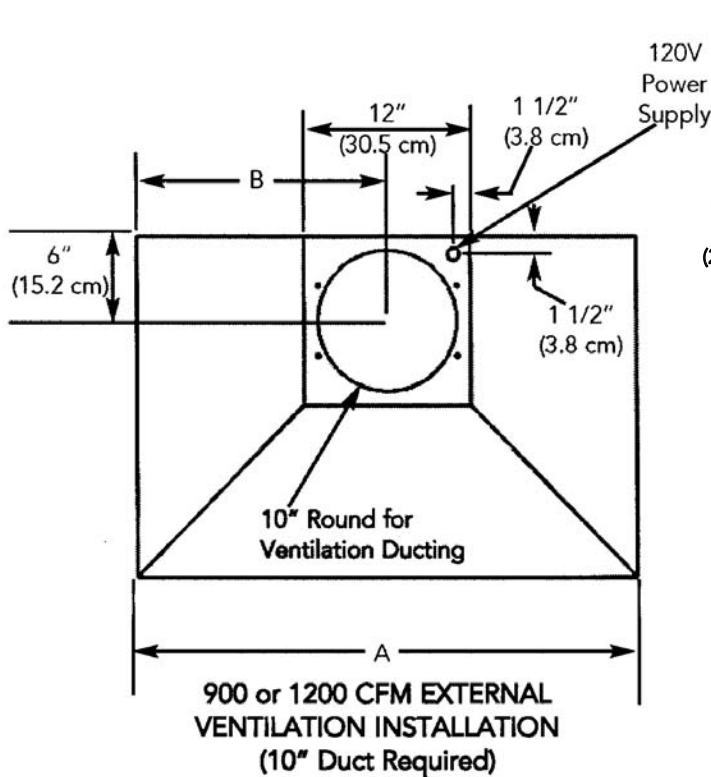
WALL HOOD DIMENSIONS
30"/36"/42" W. PROFESSIONAL CHIMNEY HOODS



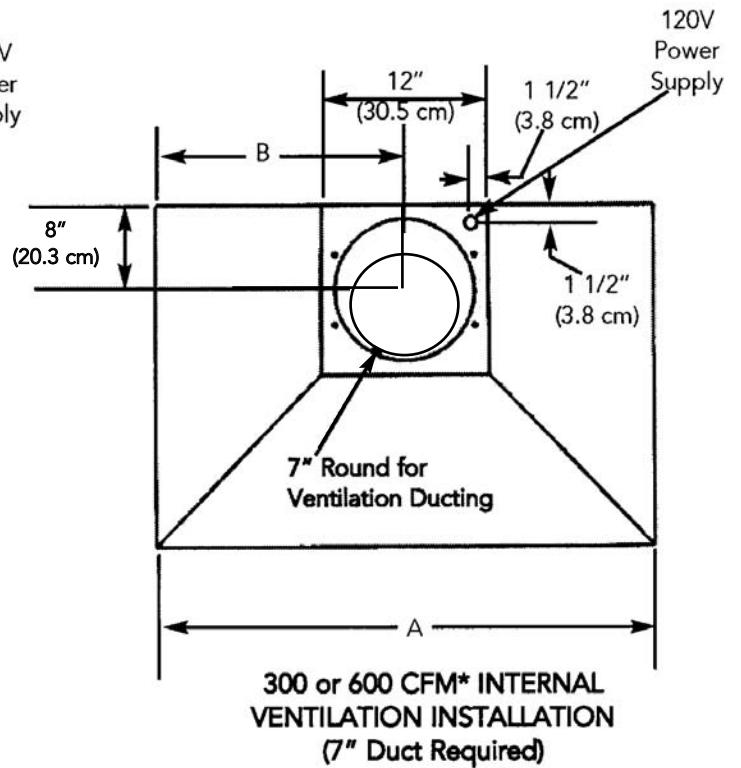
900 or 1200 CFM EXTERNAL VENTILATION INSTALLATION



300 or 600 CFM* INTERNAL VENTILATION INSTALLATION



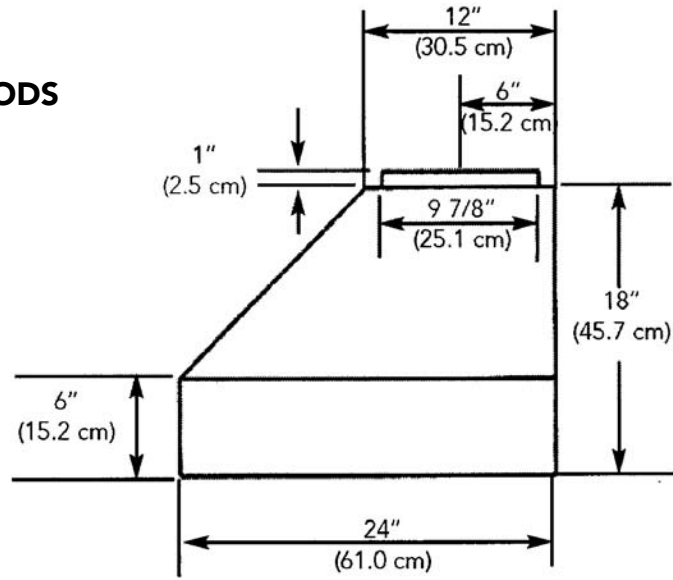
900 or 1200 CFM EXTERNAL VENTILATION INSTALLATION (10" Duct Required)



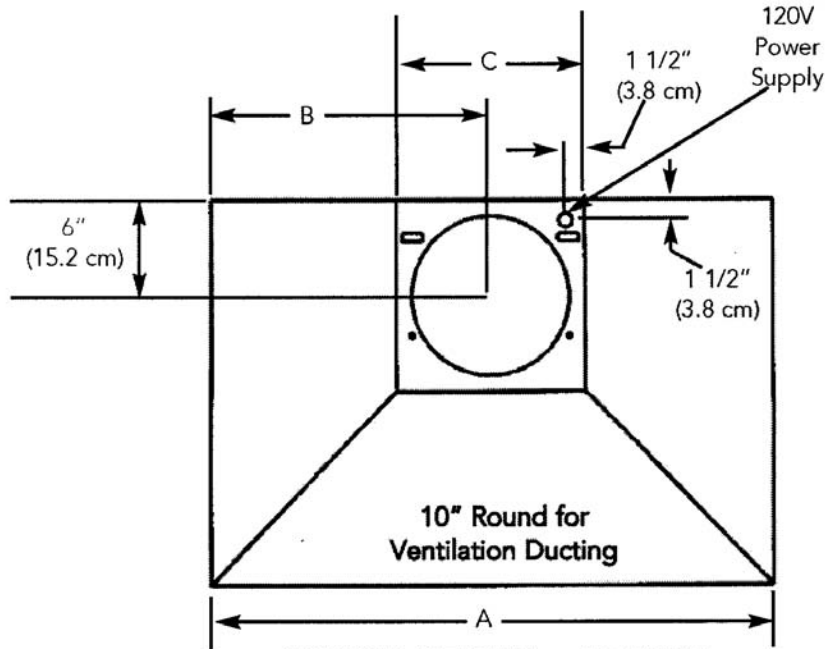
300 or 600 CFM* INTERNAL VENTILATION INSTALLATION (7" Duct Required)

	A	B
30" W.	29 7/8" (75.9 cm)	14 15/16" (37.9 cm)
36" W.	35 7/8" (91.3 cm)	17 15/16" (45.6 cm)
42" W.	41 7/8" (106.4 cm)	20 15/16" (53.2 cm)

WALL HOOD DIMENSIONS
48"/54"/60"/66" W.
PROFESSIONAL CHIMNEY HOODS



1200 CFM INTERNAL or EXTERNAL
1500 CFM EXTERNAL
VENTILATION INSTALLATION



1200 CFM INTERNAL or EXTERNAL
1500 CFM EXTERNAL
VENTILATION INSTALLATION
(10" Duct Required)

	A	B	C
48" W.	47 7/8" (121.6 cm)	23 15/16" (60.8 cm)	18" (45.7 cm)
54" W.	53 7/8" (136.8 cm)	26 15/16" (68.4 cm)	18" (45.7 cm)
60" W.	59 7/8" (152.1 cm)	29 15/16" (76.0 cm)	24" (61.0 cm)
66" W.	65 7/8" (167.3 cm)	32 15/16" (83.7 cm)	24" (61.0 cm)

**BASIC SPECIFICATIONS
INTERIOR AND EXTERIOR POWER HOODS**

WALL HOODS

DESCRIPTION	RECOM. CFM' (int.-interior; ext.-exterior)	NUMBER OF HALOGEN LIGHTS	250 WATT HEAT LAMPS (Sold Separately)	FILTERS	120VAC/60Hz SPACERS			MAX. AMPS3 (Interior/Exterior)
					Center	LH	RH	
30" W.	300 int./600 int./900 ext./1200 ext.	2	1	2	0	1	1	3.9/6.0/8.7/6.0
36" W. *	300 int./600 int./900 ext./1200 ext.	2	1	2	1	1	1	3.9/6.0/8.7/6.0
42"W.*	600 int./900 ext./1200 ext.	2	1	2	1	1	1	6.0/8.7/6.1
48" W.	1200 int./1200 ext./1500 ext.	3	2	2	1	1	1	11.5/8.5/9.2
54" W.	1200 int./1200 ext./1500 ext.	3	2	3	2	1	1	11.5/8.5/9.2
60" W.	1200 int./1200 ext./1500 ext.	4	2	3	2	1	1	11.9/8.9/9.7
66" W.	1200 int./1200 ext./1500 ext.	4	2	3	0	1	1	11.9/8.9/9.7

ISLAND HOODS

DESCRIPTION	RECOM. CFM' (int.-interior; ext.-exterior)	NUMBER OF HALOGEN LIGHTS	FILTERS	SPACERS			120VAC/60Hz MAX. AMPS3 (Interior/Exterior)
				Center	LH	RH	
36" W.*	600 int./900 ext./1200 ext.	4	4	2	2	2	3.9/6.6/3.9
42"W.*	600 int./900 ext./1200 ext./1500 ext.	4	4	2	2	2	3.9/6.6/3.9/5.5
54" W.	1200 int./1200 ext./1500 ext.	6	6	2	2	2	8.6/5.6/6.4
66" W.	1200 int./1200 ext./1500 ext.	8	8	2	2	2	9.5/6.5/7.3

*1200 or 1500 CFM exterior ventilator should be used when installed over ranges/rangetops with gas grill.

MODEL NUMBER	CFM'	RECOMMENDED DUCT SIZE	MAX. DUCT RUN ² (ft.)
For Use with hoods:			
DIV300 (interior)	300	7" round	50
DIV600 (interior)	600	7" round	50
DIV1200 (interior)	1200	10" round	50
DEV900 (exterior)	900	10" round	50
DEV1200 (exterior)	1200	10" round	50
DEV1500 (exterior)	1500	10" round	75

PROPER INSTALLATION/DUCTING IS EXTREMELY IMPORTANT TO ENSURE MAXIMUM PERFORMANCE FROM ANY VENTILATION PRODUCT

- All CFMs stated are based on tests at .1 static pressure: without applying static pressure, CFM would be greatly overstated.
- Duct run length is for general reference only; for longer duct runs, increase duct size and contact a qualified and trained installer.
 - Straight runs and gradual turns are best; for example, each 90o elbow is equivalent to 5-10 feet (1.52 - 3.05 cm) of straight run.
 - Never use flexible duct; it creates back pressure/air turbulence and greatly reduces performance.
 - Proper performance is dependent upon proper ducting; make sure that a qualified and trained installer is used.
 - Check with a qualified and trained installer or local codes for makeup air requirement, if any.
- Max. amp rating for hoods includes recommended ventilator kit rating; all products must be hard wired direct with 2-wire with ground.