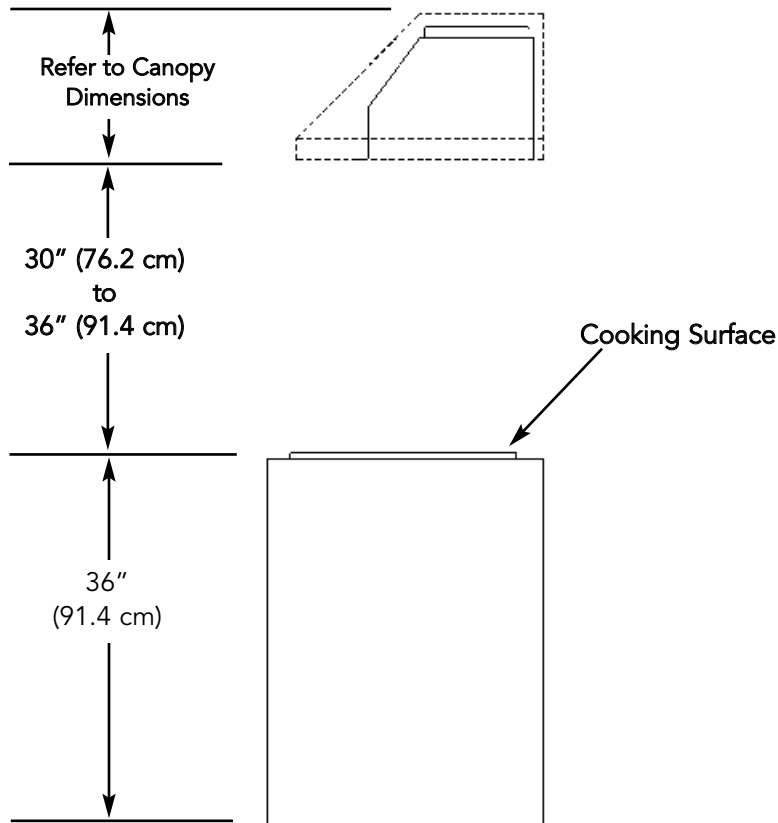


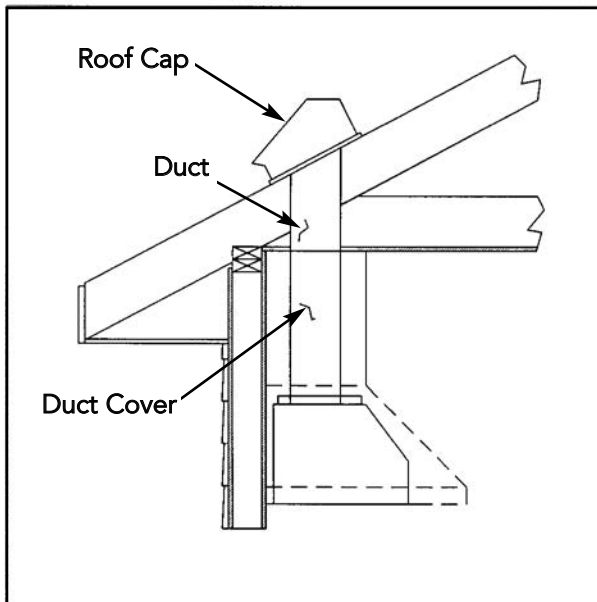
## HEIGHT OF HOOD

The bottom of the hood should be 30" (76.2 cm) to 36" (91.4 cm) above the countertop. This would typically result in the bottom of the hood being 66" (167.6 cm) to 72" (182.9 cm) above the floor. For best performance, it is recommended that the bottom of the hood be 30" (76.2) to 33" (83.8 cm) above the countertop. These dimensions provide for safe and efficient operation of the hood.

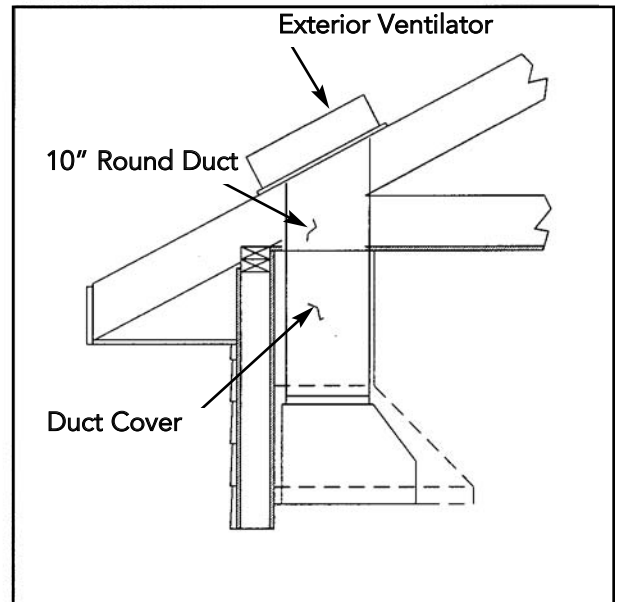


## PREPARING FOR HOOD INSTALLATION

Plan where the ductwork will be located. See pages 12-13 for rough-in dimensions. Install proper-sized duct work, and roof or wall cap for the type of blower you are using. Adjust your measurements for various heights of ceilings, soffits, cabinets, or ranges/rangetops.



300 or 440 CFM (7" Round)  
880 CFM (10" Round)  
Interior Power Typical Ductwork

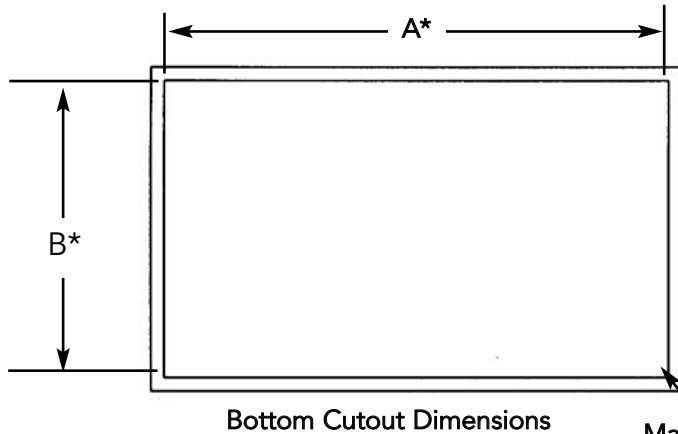


900,1200,1500 CFM  
Exterior Power Typical Ductwork

## ELECTRICAL SUPPLY

Run 120 VAC electrical power cable from service panel to installation location (see dimensions page for exact location). See "Basic Specifications" on page 15 for the maximum amp requirements.

## INSTALLING HOOD CANOPY



Bottom Cutout Dimensions

### Wall Hoods

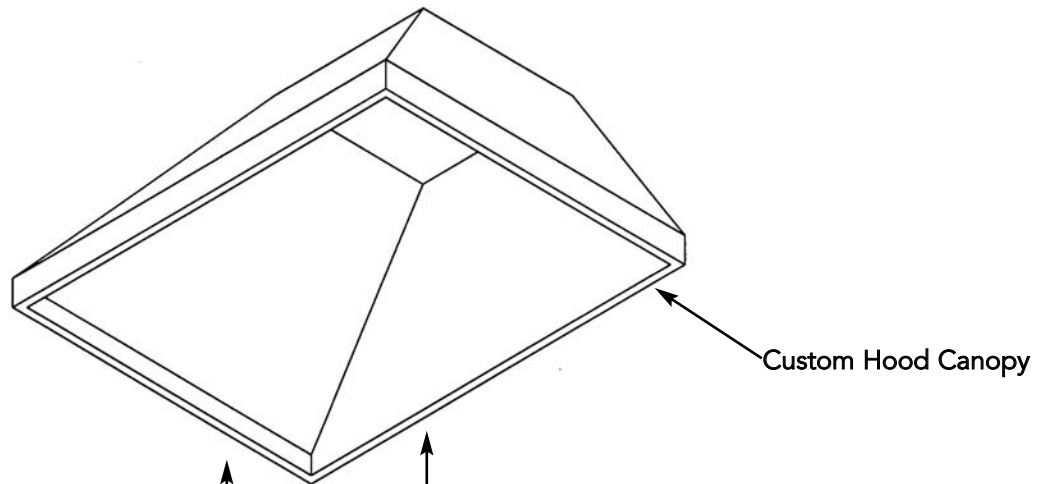
	A	B
30" W.	28 11/16" (72.9 cm)	16 1/2" (41.9 cm)
36" W.	34 11/16" (88.1 cm)	16 1/2" (41.9 cm)
42" W.	40 11/16" (103.4 cm)	16 1/2" (41.9 cm)
48" W.	46 11/16" (118.6 cm)	16 1/2" (41.9 cm)

### Island Hoods

	A	B
36" W.	34 11/16" (88.1 cm)	21 1/2" (54.6 cm)
42" W.	40 11/16" (103.4 cm)	21 1/2" (54.6 cm)
54" W.	52 11/16" (133.8 cm)	21 1/2" (54.6 cm)

\*For best results, center the unit over the burners of the cooking product (front to back; right to left).

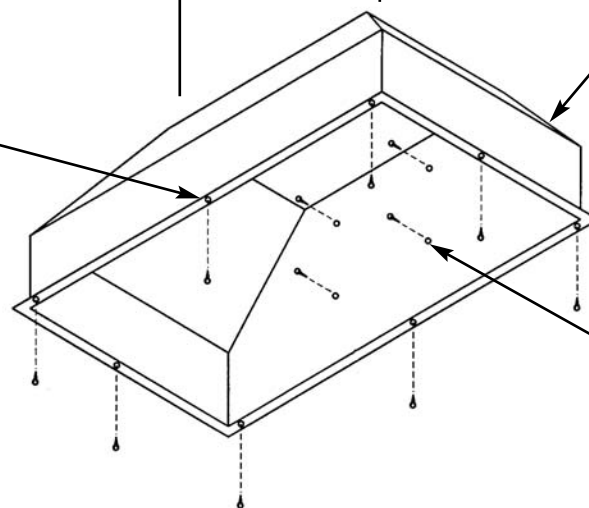
Make sure the back wall of the custom hood canopy is flush with the cutout so the ventilator system may be mounted as shown below.



1) Position ventilator system inside of the custom hood canopy and center it front to back and left to right.

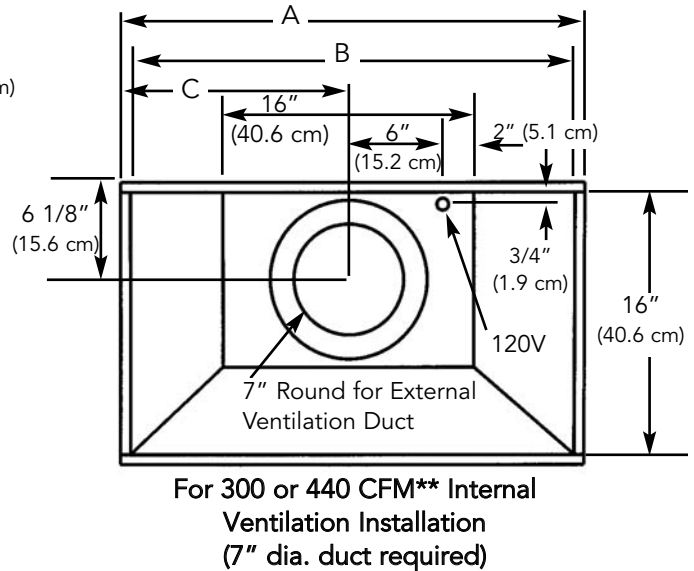
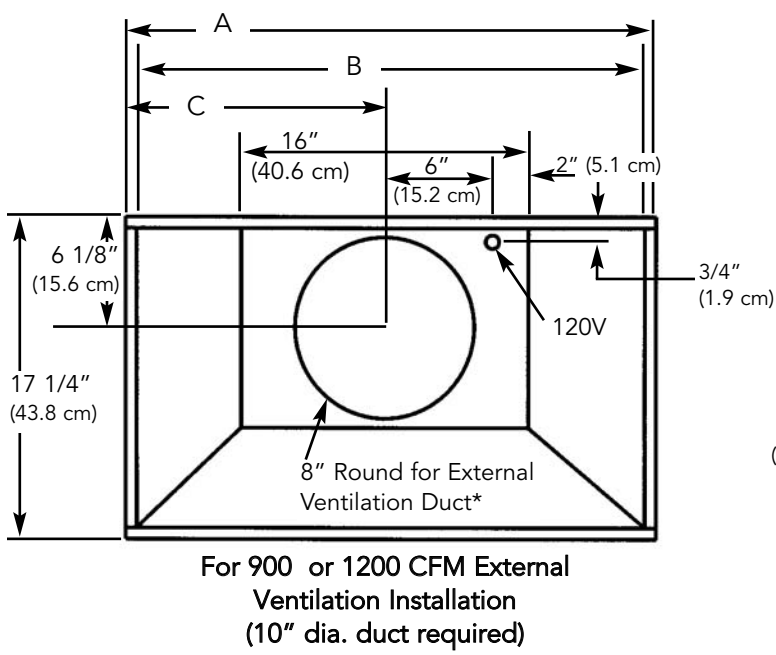
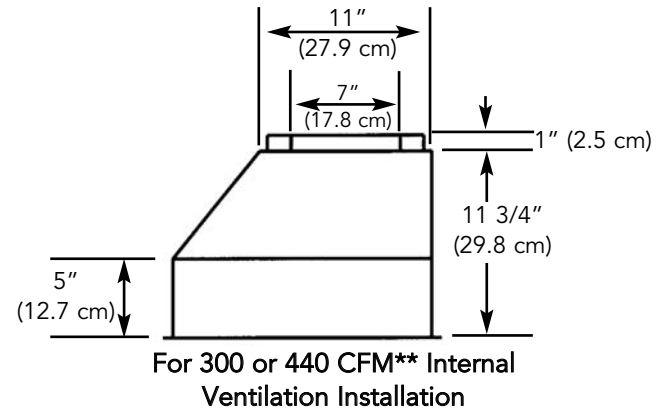
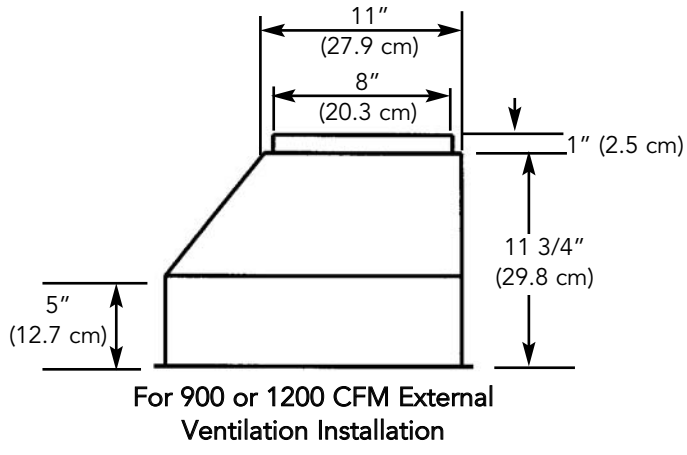
2) Bottom mounting holes fasten ventilator system to bottom of custom hood canopy with the screws provided

Built-in Ventilator System



3) OPTIONAL  
Rear mounting holes fasten ventilator system to rear of custom hood canopy

30" W./36" W./42" W. BUILT-IN WALL CUSTOM VENTILATOR SYSTEM DIMENSIONS

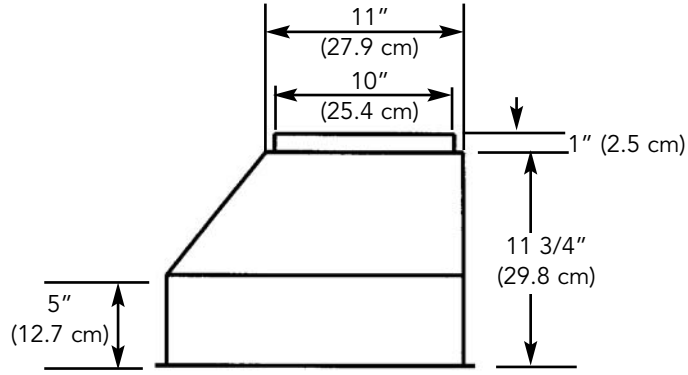


\*Must purchase 8" dia. to 10" dia. transition locally. Transition should be installed past the duct cover.

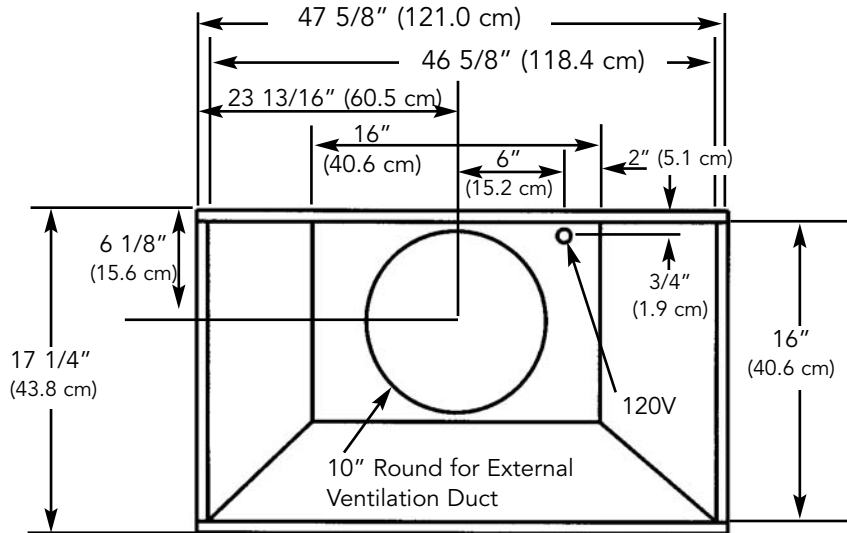
Dim.	30" W.	36" W.	42" W.
A	29 5/8" (75.2 cm)	35 5/8" (90.5 cm)	41 5/8" (105.7 cm)
B	28 3/8" (72.1 cm)	34 3/8" (87.3 cm)	40 3/8" (102.6 cm)
C	14 13/16" (37.6 cm)	17 13/16" (45.2 cm)	20 13/16" (52.9 cm)

\*\*300 CFM ventilator kit for installation with 30" W. and 36" W. hoods only.

48" W. BUILT-IN WALL CUSTOM VENTILATOR SYSTEM DIMENSIONS

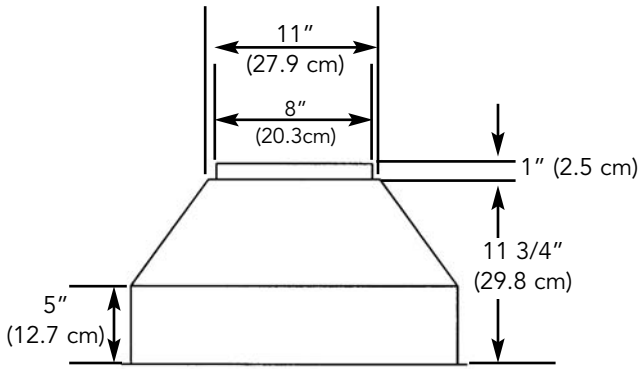


For 880 CFM Internal and  
1200 or 1500 CFM External  
Ventilation Installation

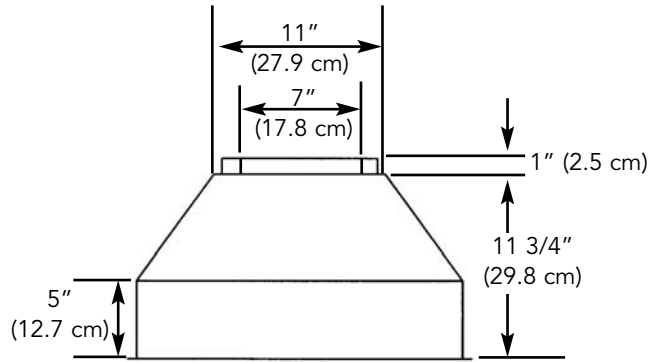


For 880 CFM Internal and  
1200 or 1500 CFM External  
Ventilation Installation  
(10" dia. duct required)

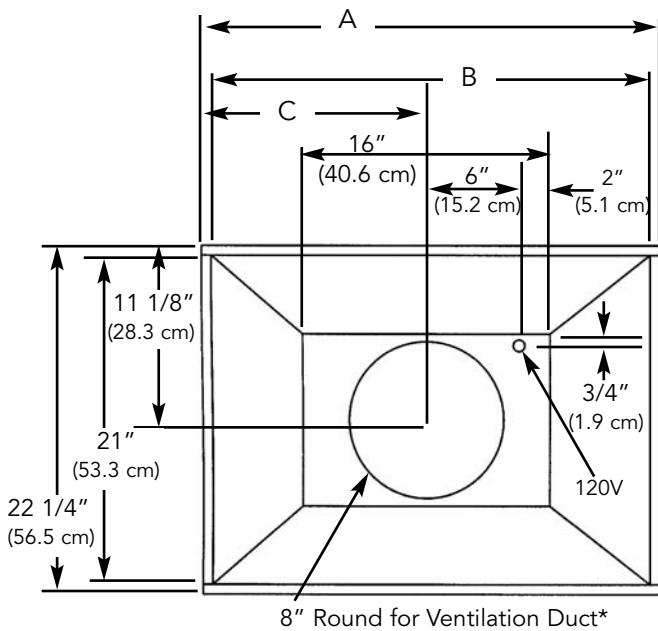
36" W./42" W. BUILT-IN ISLAND CUSTOM VENTILATOR SYSTEM DIMENSIONS



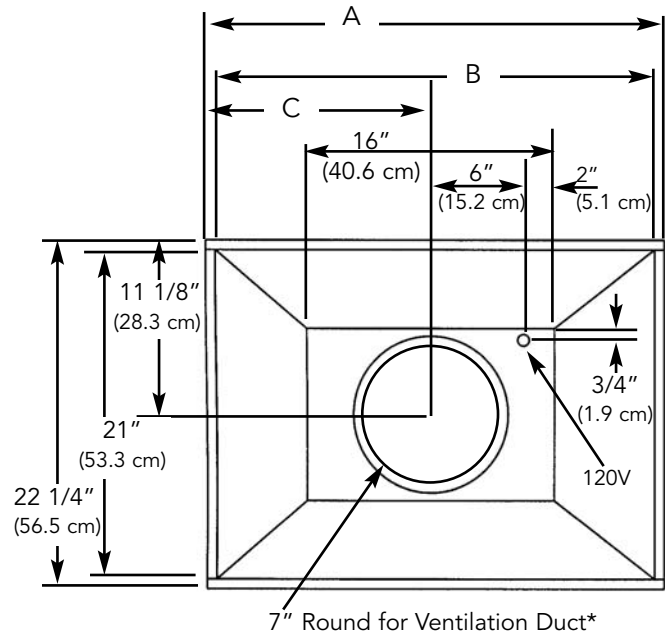
For 900, 1200, or 1500 CFM External\*\*  
Ventilation Installation



For 300 or 440 CFM\*\* Internal  
Ventilation Installation



For 900, 1200, or 1500 CFM External\*\*  
Ventilation Installation  
(10" dia. duct required)



For 300\*\*\* or 440 CFM\*\* Internal  
Ventilation Installation  
(7" dia. duct required)

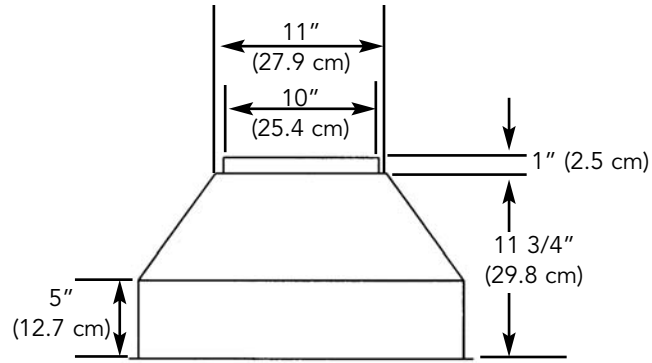
\*Must purchase 8" dia. to 10" dia. transition locally.  
Transition should be installed past the duct cover.

\*\*1500 Ext. ventilator kit for installation with 42" W. Island  
hood only

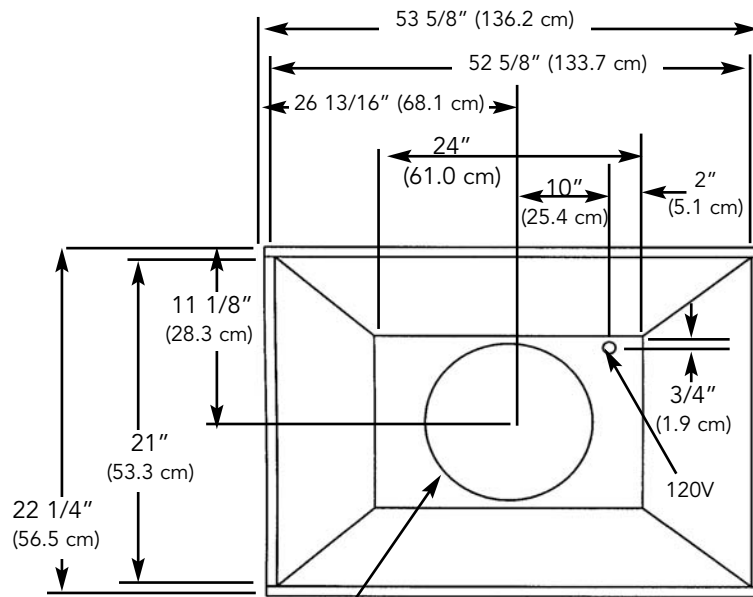
\*\*\*300 CFM ventilator kit for installation with 30" W. and  
36" W. hoods only.

Dim.	36" W.	42" W.
A	35 5/8" (90.5 cm)	41 5/8" (105.7 cm)
B	34 5/8" (87.9 cm)	40 5/8" (103.2 cm)
C	17 13/16" (45.2 cm)	20 13/16" (52.9 cm)

54" W. BUILT-IN ISLAND CUSTOM VENTILATOR SYSTEM DIMENSIONS



For 880 CFM Internal and  
1200 or 1500 External  
Ventilation Installation



10" Round for Ventilation Duct

For 880 CFM Internal  
and 1200 or 1500 CFM External  
Ventilation Installation  
(10" dia. duct required)

# BASIC SPECIFICATIONS

## INTERIOR AND EXTERIOR POWER BUILT-IN WALL CUSTOM VENTILATOR SYSTEMS

DESCRIPTION	RECOM. CFM <sup>1</sup>	NUMBER OF HALOGEN LIGHTS	FILTERS	SPACERS	120VAC/60Hz MAX. AMPS <sup>3</sup> (Interior/Exterior)
30"W.	300 int./440 int. 900 ext./ 1200 ext.	2	2	1	1.7/3.2 6.6/ 3.9
36"W.	300 int./440 int. 900 ext./ 1200 ext.	2	2	1	1.7/3.2 6.6/ 3.9
42"W.	440 int./ 900 ext./ 1200 ext.	2	3	2	3.2 6.6/ 3.9
48"W.	880 int./ 1200 ext. 1500 ext.	2	3	2	5.6/ 4.3/ 5.1

## INTERIOR AND EXTERIOR POWER BUILT-IN ISLAND CUSTOM VENTILATOR SYSTEMS

DESCRIPTION	RECOM. CFM <sup>1</sup>	NUMBER OF HALOGEN LIGHTS	FILTERS	SPACERS	120VAC/60Hz MAX. AMPS <sup>3</sup> (Interior/Exterior)
36"W.	440 int. 900 ext./1200 ext.	4	2	1	4.0/ 7.5/5.2
42"W.	440 int./ 900 ext./ 1200 ext./1500 ext.	4	2	2	4.0/ 7.5/ 5.2/ 6.0
54"W.	880 int./ 1200 ext./ 1500 ext.	4	3	2	6.4/ 5.2/ 6.0

MODEL NUMBER	CFM <sup>1</sup>	RECOMMENDED DUCT SIZE	MAX. DUCT RUN <sup>2</sup> (ft.)
<b>For Use with hoods:</b>			
DIV300 (interior)	300	7" round	50
DIV440 (interior)	440	7" round	50
DIV880 (interior)	880	10" round	50
DEV900 (exterior)	900	10" round*	50
DEV1200 (exterior)	1200	10" round	50
DEV1500 (exterior)	1500	10" round	75

\*Must use 8" duct from canopy to ceiling - transition to 10" duct past duct cover

### **PROPER INSTALLATION/DUCTING IS EXTREMELY IMPORTANT TO ENSURE MAXIMUM PERFORMANCE FROM ANY VENTILATION PRODUCT**

- All CFMs stated are based on tests at .1 static pressure: without applying static pressure, CFM would be greatly overstated.
- Duct run length is for general reference only; for longer duct runs, increase duct size and contact a qualified and trained installer.
  - Straight runs and gradual turns are best; for example, each 90° elbow is equivalent to 5-10 feet (1.52 - 3.05 m) of straight run.
  - Never use flexible duct; it creates back pressure/air turbulence and greatly reduces performance.
  - Proper performance is dependent upon proper ducting; make sure that a qualified and trained installer is used.
  - Check with a qualified and trained installer or local codes for makeup air requirement, if any.**
- Max. amp rating for hoods includes recommended ventilator kit rating; all products must be hard wired direct with 2-wire with ground.