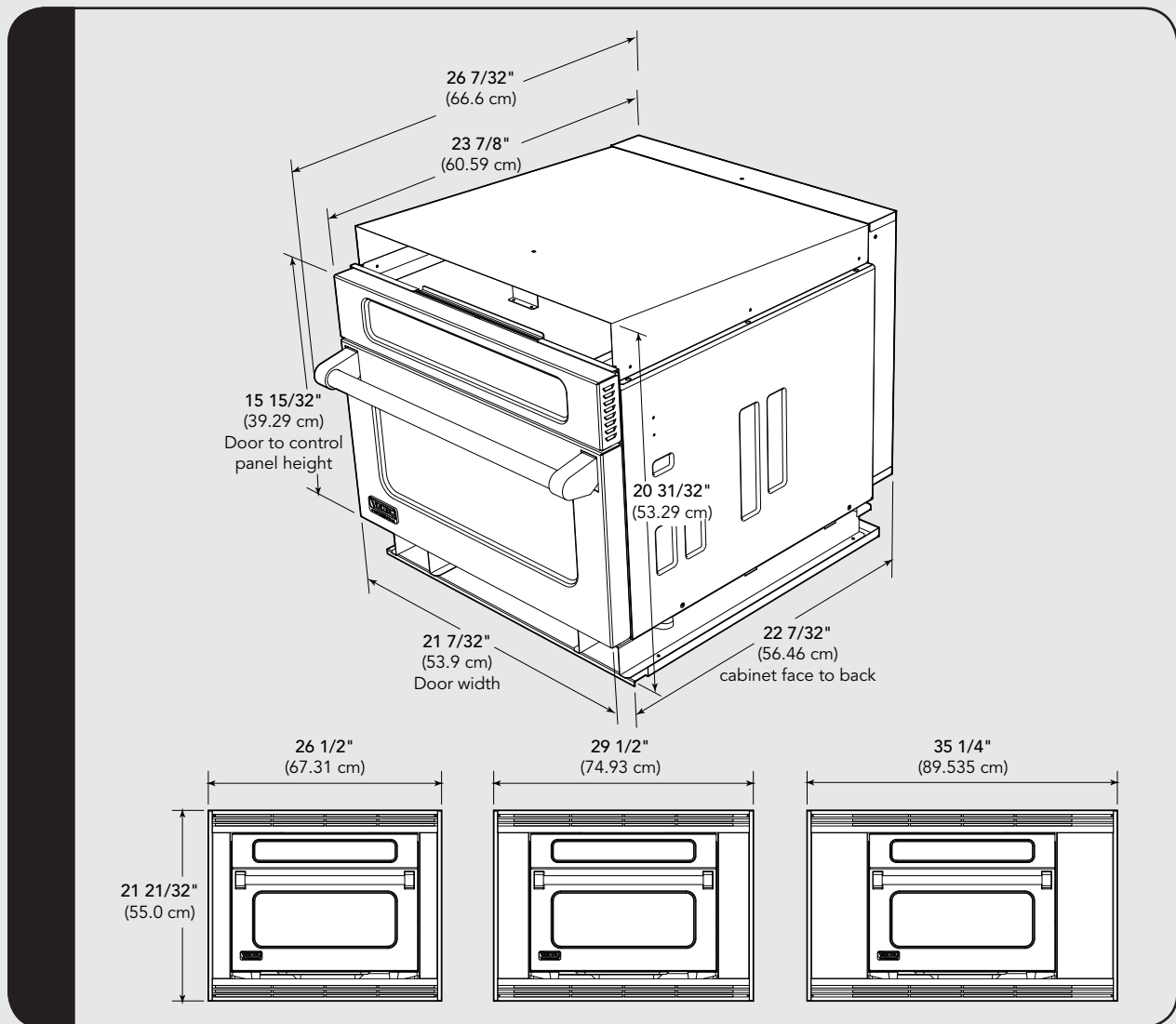


Dimensions & Specifications



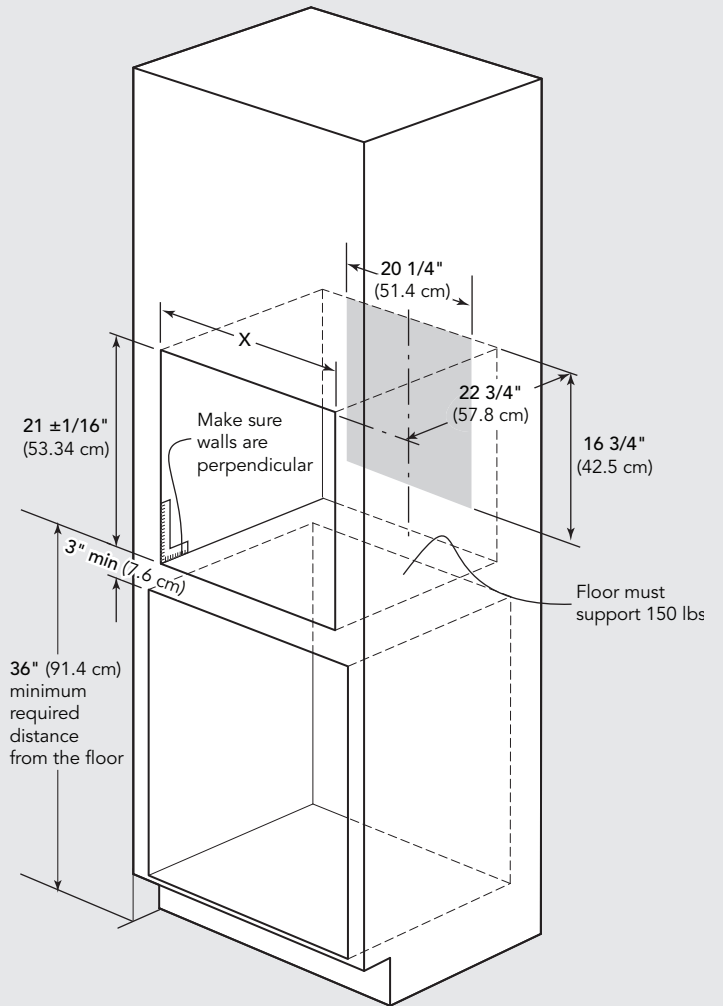
High Speed Convection Oven				
Description		VHSO205		
Overall Width	21-7/32" (53.9 cm)			
Overall Height from Bottom	20-31/32" (53.29 cm)			
Overall Depth from Rear	23-7/8" (60.59 cm)	Including Handle	26-7/32" (66.6 cm)	
Oven Interior	Width	16-1/8" (41.0 cm)	Depth	13-5/8" (34.6 cm)
	Height	8-3/8" (21.3 cm)	Overall	1.1 cu ft
Cutout Width / Height / Depth	See page 4			
Electrical Requirements (Single Phase)	UL Rating	240VAC/60 Hz	CSA Rating	240VAC/60 Hz
Rated Amp / Watt Usage	UL Rating	3.2 kw 13.5 amp	CSA Rating	3.2 kw 13.5 amp
Approx. Shipping Wt.	110 lbs.			

*Internal capacity is calculated by measuring maximum width, depth, and height. Actual capacity for holding food is less.

Cutout Dimensions, Electrical Requirements & Parts

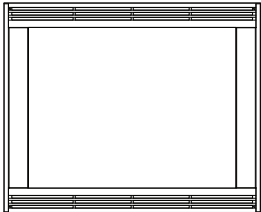
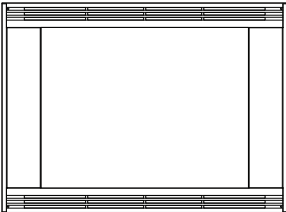
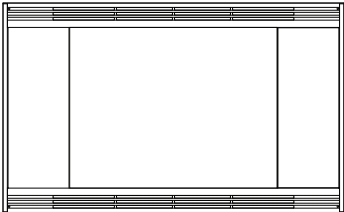
Electrical Requirements

- The electrical requirements for this oven are 240 volts, 15 amps. The oven has a 6-15 plug and requires a 6-15 receptacle.
- At the rear of the opening, provide a 3 pronged, polarized, electrical outlet, 240 volt AC, 15 amp or larger. This outlet should NOT be located in the shaded area. It is exceedingly important that the outlet be 240 volts and 15 amps for optimum oven performance.



Model	X
VHTK275SS	24 15/16" 63.34 cm
VHTK305SS	27 1/2" 69.85 cm
VHTK365SS	27 1/2" 69.85 cm

Parts Included

27" Front Frame Assembly Qty 1	30" Front Frame Assembly Qty 1	36" Front Frame Assembly Qty 1
	OR	
		OR
		
Bottom Duct Assembly Qty 1	Screw A (1 3/16" length) Qty 2	Screw B (1 3/4" length) Qty 4
