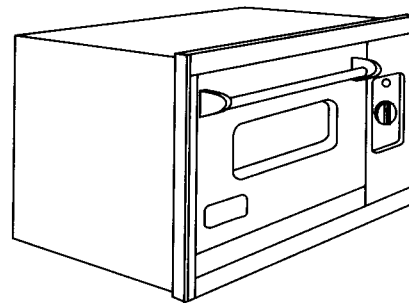
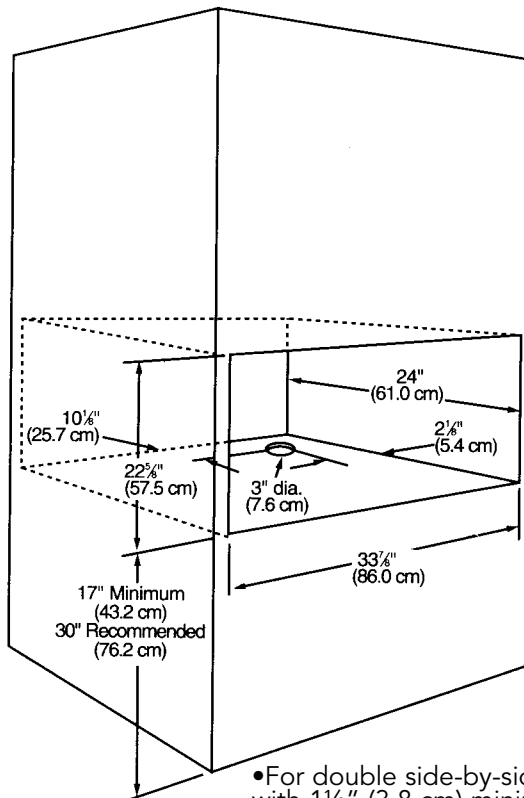
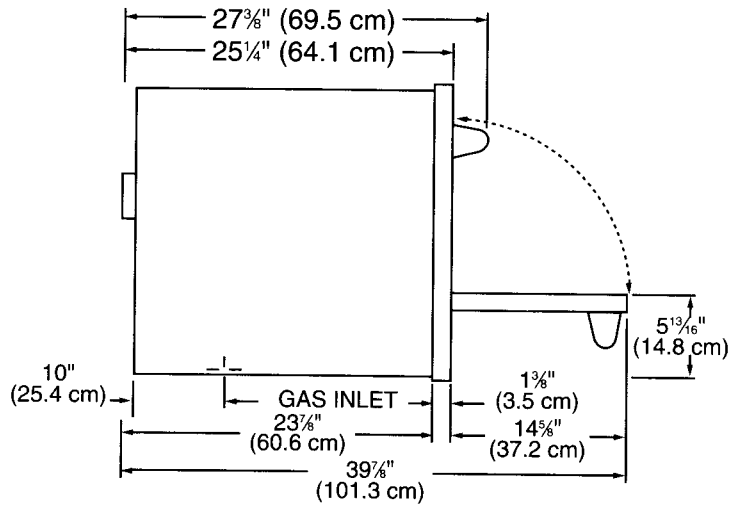
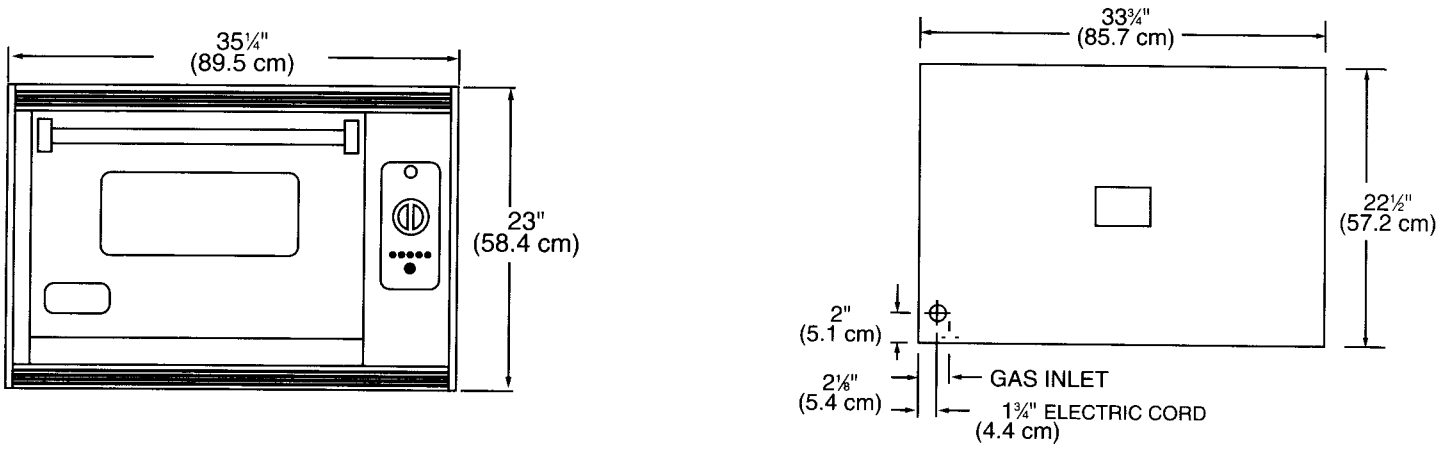


Dimensions

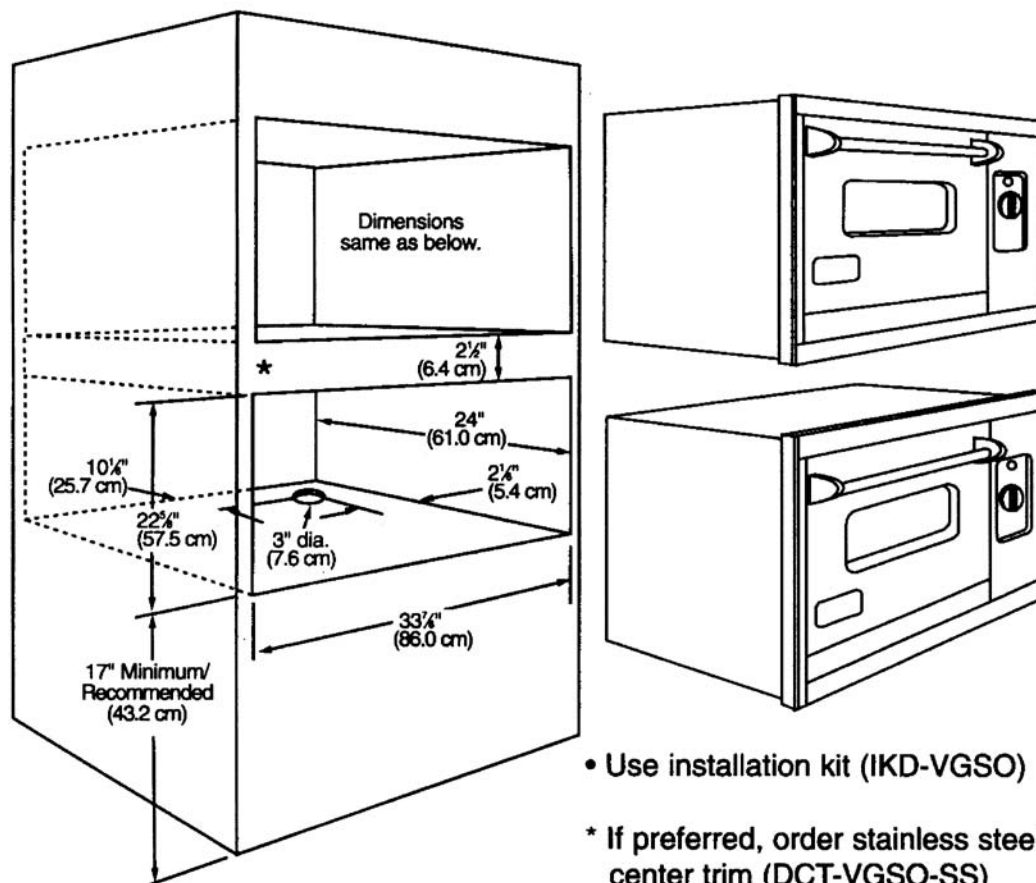


•For double side-by-side installation, repeat single cutout with 1 1/2" (3.8 cm) minimum between openings.

Cabinet Mounting for Single Oven

(See illustrations on p. 5)

- Place the oven in the cabinet cut-out.
(see p. 3 for dimensions)
- Remove all knobs, push buttons, and bezels.
- Remove lower access panel (1), side trim (2), and control panel trim (3).
- Insert 4 wood screws (4), which are included with the oven, through the cabinet side flange into the cabinet.
- Replace side trim (2), control panel trim (3), and lower access panel (1).



- Use installation kit (IKD-VGSO)

* If preferred, order stainless steel center trim (DCT-VGSO-SS)

- The grounded electrical socket should be placed above or below the cutout(s).
- Do not install so that any oven vent (top grill of oven) is located below 36" (91.4 cm) from floor.

Specifications

| Description | |
|------------------------------|---|
| Cutout width | 33 7/8" (86.0 cm) |
| Cutout height | 22 5/8" (57.5 cm) |
| Cutout depth | Minimum 24" (61.0 cm); unit extends into cutout 23 7/8" (60.6 cm); cord protrudes 1/2" (1.3 cm) beyond 23" (58.4 cm) |
| Cutout height from floor | Minimum 17" (43.2 cm) |
| Overall width | 35 1/4" (89.5 cm) |
| Overall height | 23" (58.4 cm) |
| Overall depth | To edge of side- 25 1/4" (64.1 cm) To end of handle bracket - 27 3/8" (69.5 cm) With door open - 39 1/2" (100.3 cm) |
| Gas requirements | Shipped natural gas standard; field convert to LP/Propane with standard convertible regulator; accepts standard 1/2" (1.3 cm) ID gas service line |
| Electrical requirements | 120 VAC/60 Hz 4 ft. (121.9 cm)m 3-wire cord with grounded 3-prong plug attached to product. |
| Maximum amp usage | 8.0 amps |
| Infrared broil burner rating | 18,000 BTU Nat./15,000 BTU LP (5.3 kW Nat./4.4 kW LP) |
| Bake burner rating | Two 15,000 BTU ea. Nat./LP (Two 4.4 kW ea. Nat./LP) |
| Oven interior Dimensions | Width - 24 1/8" (61.3 cm) Height - 13 3/4" (34.9 cm) Depth- 17 1/8" (43.5 cm) Overall- 3.3 cu. ft. (94 liter) •Convection Bake/Broil Oven •Three Racks |
| Approximate shipping wt. | 257 lb. (115.7 kg) |

General Information

- WARNING:** The use of cabinets for storage above the appliance may result in a potential burn hazard. Combustible items may ignite, metallic items may become hot and cause burns. If a cabinet storage is to be provided the risk can be reduced by installing a rangehood that projects horizontally a minimum of 5" (12.7 cm) beyond the bottom of the cabinets.
- WARNING:** This appliance shall not be used for space heating. This information is based on safety considerations.
- All openings in the wall behind the appliance and in the floor under the appliance shall be sealed.
- Keep appliance area clear and free from combustible materials, gasoline, and other flammable vapors.
- Do not obstruct the flow of combustion and ventilation air.
- Disconnect the electrical supply to the appliance before servicing.
- When removing oven for cleaning and/or service;
 - Shut off gas at main supply
 - Disconnect AC power supply
 - Disconnect gas line to the inlet pipe.
 - Carefully remove the range by pulling outward. **CAUTION:** Range is heavy; use care in handling.
- Electrical Requirement
Normal grounded household current 120 volts, 60 Hz, 15 amps, single phase. (GFI ground fault outlet not recommended for use on oven.)
- Gas Manifold Pressure
Natural gas - 5.0" W.C.P.
LP/Propane - 10.0" W.C.P.
- Flexible Connection
If the unit is to be installed with flexible couplings and/or quick disconnect fittings, the installer must use a flexible connector of at least 1/2" ID (1.3 cm) with suitable strain reliefs and comply with national and local codes.
- The misuse of oven doors (e.g. stepping, sitting, or leaning on them) can result in potential hazards and/or injuries.
- If electrical power is not supplied or interrupted, the oven will not work. No attempt should be made to operate the oven.