



## Standard Features & Accessories

### All ovens include

- Overall capacity—4.0 cu. ft.—23"W. x 16-1/8"H. x 18-1/2"D.
- AHAM\* standard capacity—3.3 cu. ft.—23"W. x 16-1/8"H. x 15-3/8"D.
- **Exclusive** Only 30"W. commercial-type built-in gas oven for the home
- Electronic clock/timer
- Three heavy-duty racks/six rack positions
- Four halogen lights provide excellent visibility

- High performance cooking modes
  - o Natural airflow bake
  - o Convection bake
  - o Infrared broil
  - o Convection infrared broil
  - o Convection dehydrate
  - o Convection defrost

\*The Association of Home Appliance Manufacturers (AHAM) standard for measuring oven capacity subtracts the door plug and convection baffle dimension from the total oven volume.

## Model Options



**VGSO100**  
30"W. Single Oven

### FINISH DETAILS

- Stainless Steel (SS), Black (BK), White (WH), Metallic Silver (MS), Graphite Gray (GG), Stone Gray (SG), Taupe (TP), Biscuit (BT), Cotton White (CW), Oyster Gray (OG), Golden Mist (GM), Lemonade (LE), Sage (SA), Mint Julep (MJ), Sea Glass (SE), Iridescent Blue (IB), Viking Blue (VB), Pumpkin (PM), Racing Red (RR), Apple Red (AR), Burgundy (BU), Plum (PL), Chocolate (CH), and Cobalt Blue (CB).
  - o Finish designates door front and lower panel.
- Stainless steel and all color finishes have a stainless steel control panel and black knobs/switches.
- White units have white knobs/switches.
- Brushed finished vertical/horizontal trim and stainless steel handle (with chrome-plated brackets)
- Brass Trim Option (BR)—nameplate, window trim, door handle/brackets and knob bezels. Brass components have a durable protective coating for maintenance-free normal use.

### ORDERING INSTRUCTIONS

First specify model number, and then color code (VGSO100SS). If ordering optional brass trim, specify code at end (VGSO100SSBR). If ordering optional LP conversion, specify code at end (VGSO100SSBRLP).





# Dimensions & Specifications

## PRODUCT DIMENSIONS & DOOR SWING

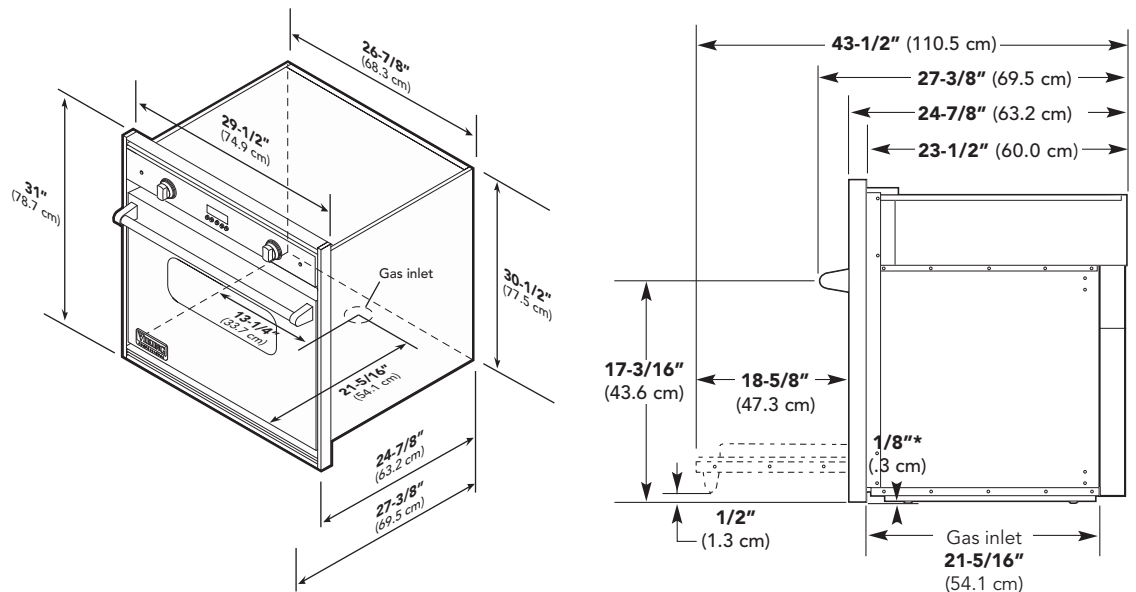


**VGSO100**  
30"W. Single Oven

★ Please see Installation Notes and Accessories for important installation information, including center trim and conversion kits.



Star-K Kosher certification for use on the Jewish Sabbath or Jewish holidays



VGSO100	
Overall width	29-1/2" (74.9 cm)
Overall height	31" (78.7 cm)
Overall depth (from rear)	
To edge of door	24-7/8" (63.2 cm)
To end of handle bracket	27-3/8" (69.5 cm)
With door open	43-1/2" (110.5 cm)
Interior	
Width	23" (58.4 cm)
Height	16-1/2" (40.9 cm)
Depth	18-1/2" (47.0 cm)
Approx. ship weight	310 lbs. (139.5 kg)




**UTILITY REQUIREMENTS**

**GAS**

- Shipped natural or LP/Propane gas; LP must be specified after color code.
- Accepts standard 1/2" (1.3 cm) ID NPT (Sch40) gas service line
- The gas supply (service) line must be the same size or greater than the inlet line of the appliance.
- Gas Manifold Pressure
  - o Natural gas—5.0" W.C.P.
  - o LP/propane - 10.0" W.C.P.

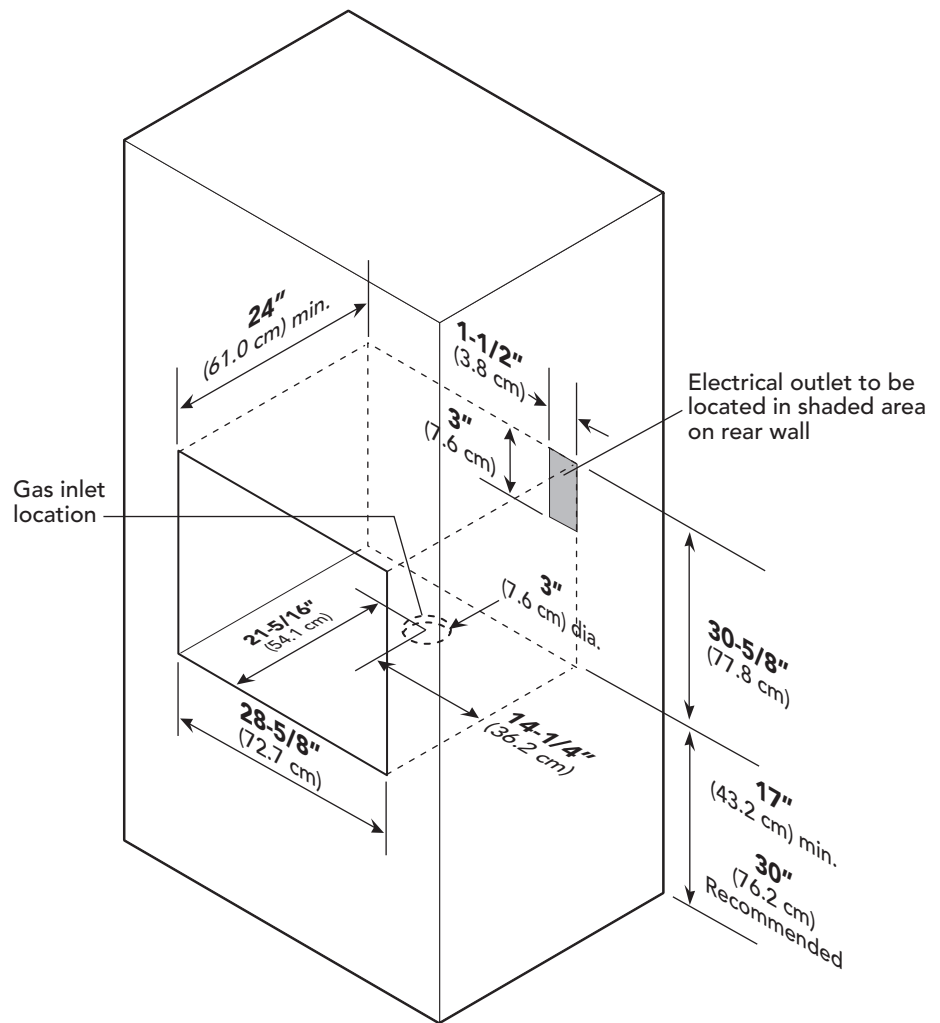

**ELECTRICAL**

- Four-foot (121.9 cm), three-wire cord with grounded three-prong plug attached to product.
- GFI ground fault outlet not recommended for use on oven.
- Electrical requirement—Normal grounded household current 120 volts, 60 Hz, 15 amps, single phase.
- Maximum amp usage—8.0


**PLUMBING**

Not applicable

**Installation Requirements**
**ACCESS REQUIREMENTS—SINGLE INSTALLATION**

**VGSO100  
Oven**


**Note:** The use of cabinets for storage above the oven may result in a potential burn hazard. Combustible items may ignite, and metallic items may become hot and cause burns.

**VGSO100**

Cutout width	<b>28-5/8" (72.7 cm)</b>
Cutout height (from bottom)	<b>30-5/8" (77.8 cm)</b>
Cutout depth	<b>24" (61.0 cm) min.*</b>
Infrared broil burner rating—	<b>18,000 BTU (5.3 kW) Nat./LP</b>
Bake burner rating —	<b>30,000 BTU (8.8 kW) Nat./LP</b>

\*Unit extends into cutout 23-7/8" (60.6 cm); cord protrudes 1/2" (1.3 cm) beyond 23" (58.4 cm).



# COOKING Professional Built-In Gas 30"W. Oven



## Compliance Information



## WARRANTY INFORMATION\*

- One-year full warranty—complete product
- Five-year limited warranty—tube burners
- Ten-year limited warranty—porcelain oven and porcelain inner door panel
- Ninety-day limited warranty—cosmetic parts such as glass, painted, and decorative items

\* For complete warranty see *Use & Care Guide*. Warranty valid on Viking products shipped within the United States and Canada.

