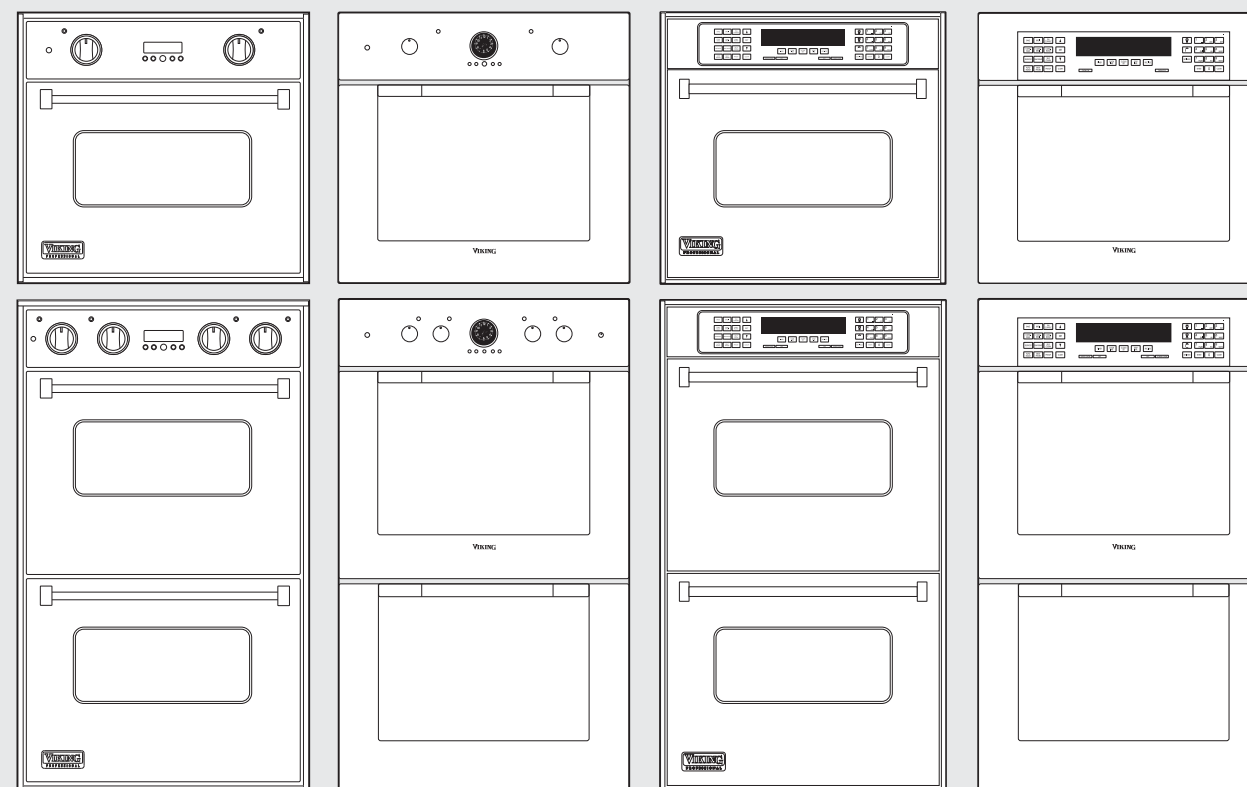


# Viking Installation Guide



Viking Range Corporation  
111 Front Street  
Greenwood, Mississippi 38930 USA  
(662) 455-1200

For product information,  
call 1-888-VIKING1 (845-4641)  
or visit the Viking Web site at  
[vikingrange.com](http://vikingrange.com)



Professional & Designer Series  
Built-In Electric Single and Double Ovens



## Table of Contents

Important Information _____	3
Warnings _____	3
Dimensions–Professional Single _____	4
Specifications & Electrical Requirements–Professional Single _____	5
Dimensions–Designer Single _____	6
Specifications & Electrical Requirements–Designer Single _____	7
Cutout Dimensions–Professional Single Built-In _____	8
Cutout Dimensions–Professional Single Undercounter _____	8
Cutout Dimensions–Designer Single Built-In _____	9
Cutout Dimensions–Designer Single Undercounter _____	9
Dimensions–Professional Double _____	10
Specifications & Electrical Requirements–Professional Double _____	11
Dimensions–Designer Double _____	12
Specifications & Electrical Requirements–Designer Double _____	13
Cutout Dimensions–Professional Double Built-In _____	14
Cutout Dimensions–Designer Double Built-In _____	15
General Information _____	16
Recommendations for Unpacking _____	16
Recommendations for Moving _____	16
Site Preparation _____	17
Installation Procedure _____	17
Performance Checklist _____	21
Final Preparation _____	23
Service & Parts _____	23

## IMPORTANT–Please Read and Follow!

- Before beginning, read these instructions thoroughly and carefully.
- Do not remove permanently affixed labels, warnings or plates from the product as this may void the warranty.
- Observe all local and national codes, requirements and ordinances.
- Installation must conform with local codes or in the absence of codes, the National Electrical Code, ANSI/NFPA 70 – latest edition.
- IN MASSACHUSETTS: This appliance must be installed by a Massachusetts licensed plumber or electrician.
- IN CANADA: Installation must be in accordance with the current CSA C22.1 Canadian Electrical Codes Part 1 and/or local codes.
- Installers should leave these instructions with the consumer who should retain them for the local inspector's use and for future reference.

### **⚠ WARNING**

**DO NOT** use the handle or oven door to lift the oven. Remove door before installation to ensure that it is not used to lift the unit. Make sure pins are inserted into hinges before removing door to prevent injury to hands and/or fingers.

### **⚠ WARNING**

The misuse of the oven door(s) (e.g. stepping, sitting, or leaning on them) can result in hazards or injuries and damage to the product.

### **⚠ WARNING**

#### **ELECTRICAL GROUNDING INSTRUCTIONS**

This oven must be electrically grounded in accordance with local codes or, in the absence of local codes, with the National Electrical Code, ANSI/NFPA 70 – latest edition.

### **⚠ WARNING**

Frame grounded by a 4-conductor cable assembly. See pages 18-19.

**DO NOT USE AN EXTENSION CORD WITH THIS APPLIANCE. SUCH USE MAY RESULT IN FIRE, ELECTRICAL SHOCK OR OTHER PERSONAL INJURY.**

### **⚠ WARNING**

This appliance should not be used for space heating. This information is based on safety considerations.

### **⚠ WARNING**

The use of cabinets for storage above the oven may result in potential fire or burn hazard.

### **⚠ WARNING**

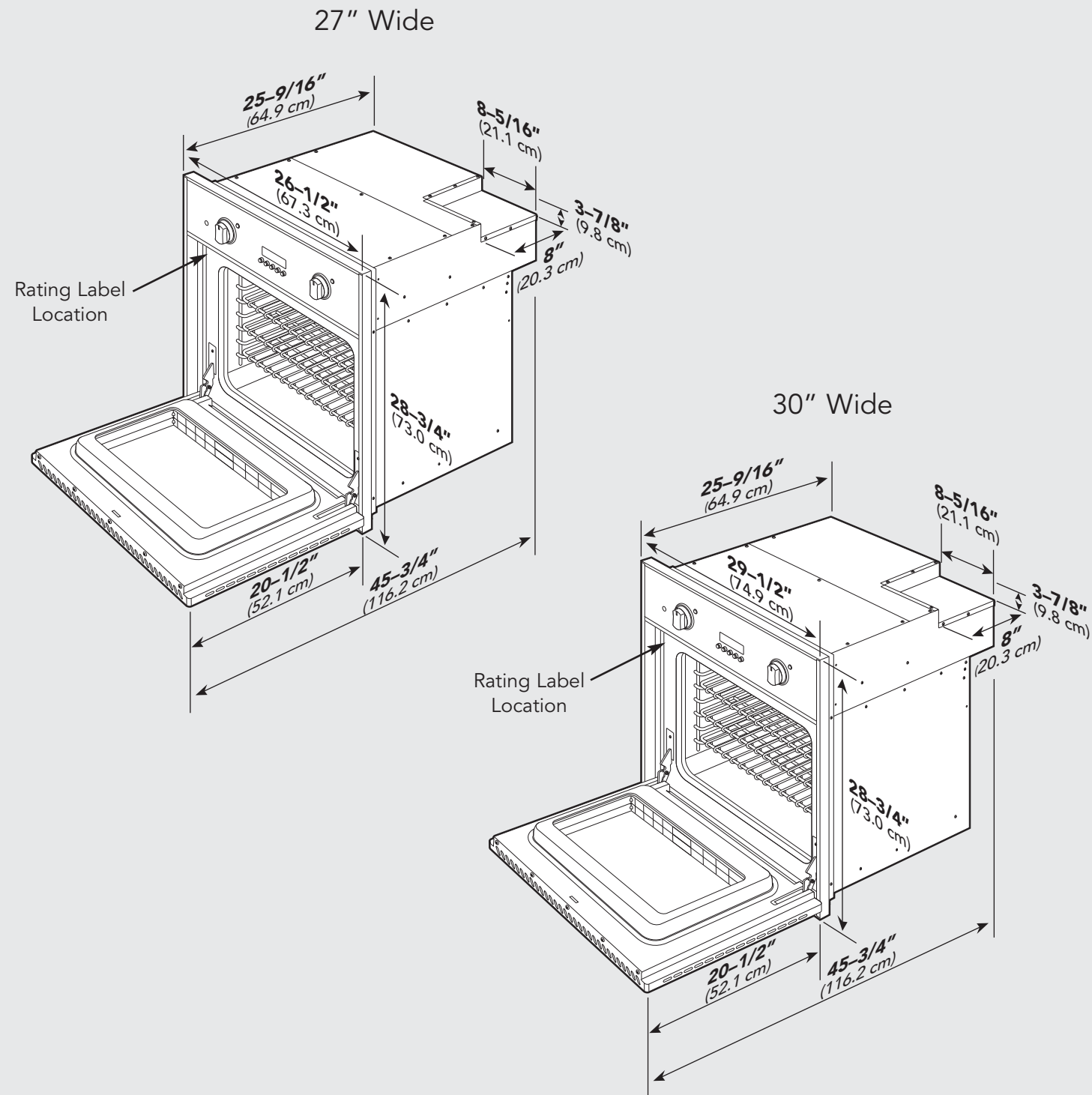
The oven is heavy – use extreme care when handling!

**Site Preparation** It is recommended that a thorough site inspection be conducted PRIOR to unpacking and moving this appliance.

**Note:** Wiring diagram is located on top of oven or in control panel.

## Dimensions—Single Oven

(Professional Series—Mechanical and Touch Control Models)



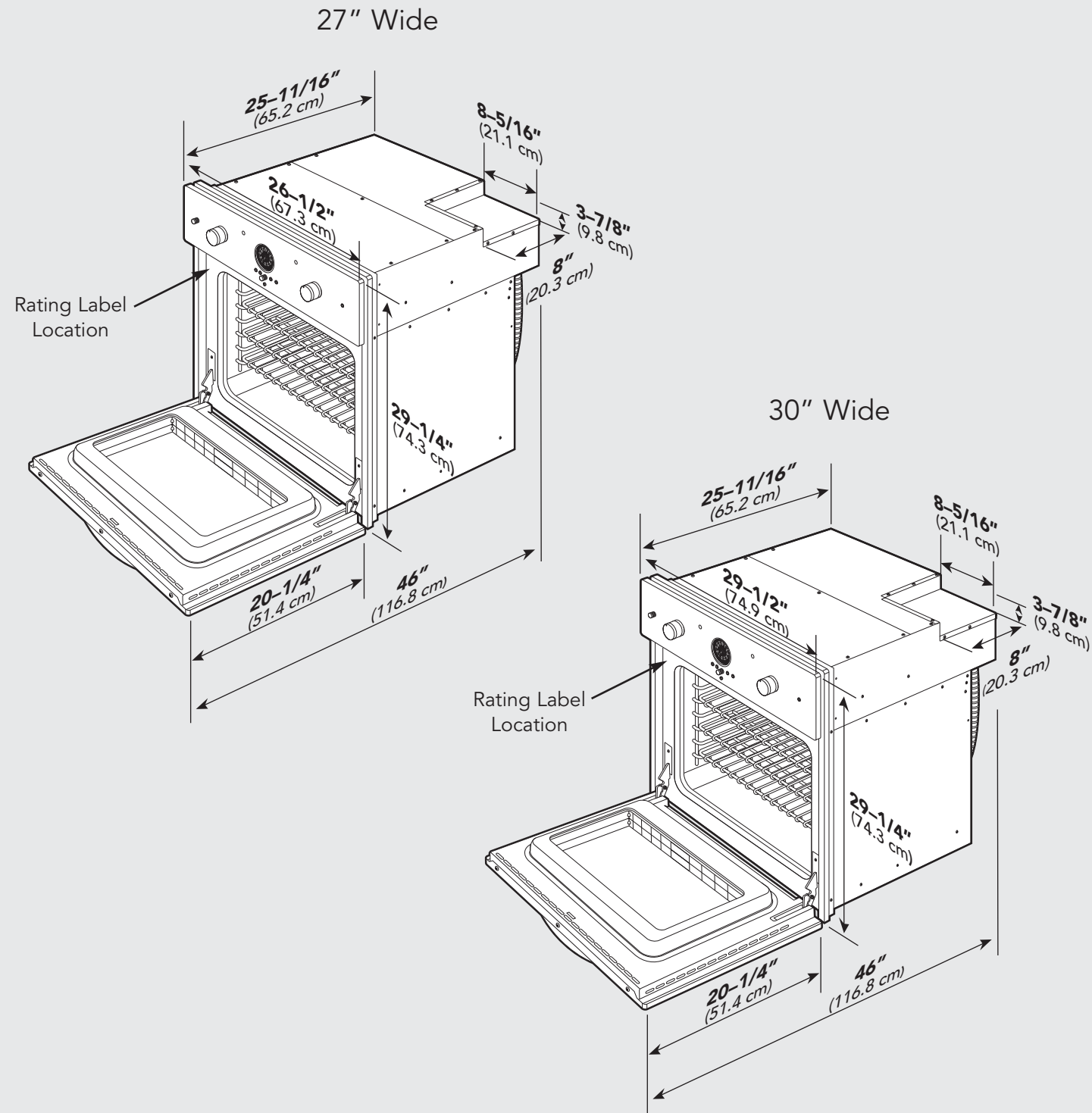
## Specifications & Electrical Requirements

Professional Single Oven		
Description	VESO127(T)/VESO5271/ VESO527T - 27" Wide	VESO130(T)/VESO5301/ VESO530T - 30" Wide
Overall Width	26 1/2" (67.3 cm)	29 1/2" (74.9 cm)
Overall Height	28 3/4" (73.0 cm)	
Overall Depth	to edge of door—25 9/16" (64.9 cm) with door open—45 3/4" (116.2 cm)	
Cutout Width	25 1/2" (64.8 cm)	28 1/2" (72.4 cm)
Cutout Height	28 1/8" (71.4 cm)	
Cutout Depth	24" (61.0 cm)	
Electrical Requirements	4-wire ground, 240VAC, 30 amp electrical connection Unit equipped with No.10 ground wire in unit. Fuse separately.	
Maximum Amp Usage	24.0 amps—240 VAC 20.8 amps—208 VAC	
Oven Interior Width	22 5/16" (56.7 cm)	25 5/16" (64.3 cm)
Oven Interior Height	16 1/2" (41.9 cm)	
Oven Interior Depth	16 13/16" (42.7 cm)	
Oven Volume (measured to AHAM standard)*	3.6 cu. ft.	4.1 cu. ft.
Oven Volume (total oven cavity)	4.1 cu. ft.	4.7 cu. ft.
Approximate Shipping Weight	237 lbs. (108 kg)	261 lbs. (118 kg)

\*The AHAM Standard for measuring oven capacity subtracts the door plug and convection baffle dimension from the total oven volume.

## Dimensions—Single Oven

(Designer Series—Mechanical and Touch Control Models)



## Specifications & Electrical Requirements

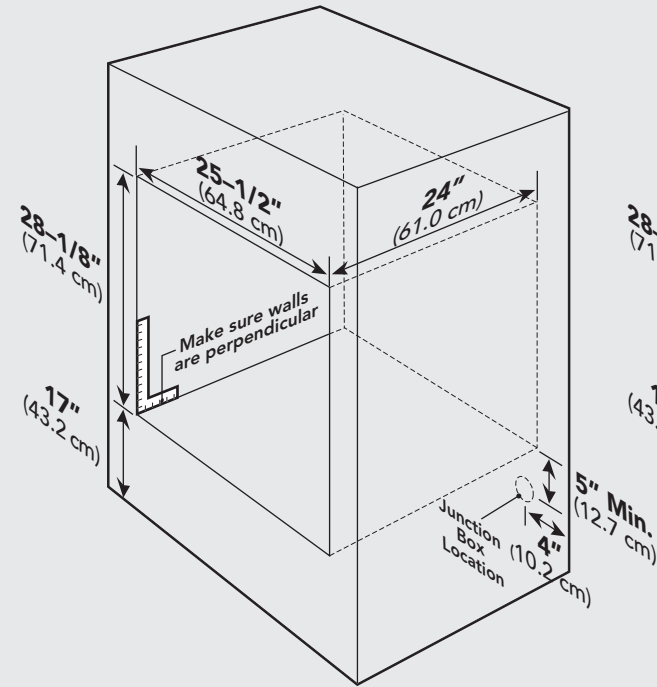
Designer Single Oven		
Description	DESO127(T)/527(T)—27" Wide	DESO130(T)/530(T)—30" Wide
Overall Width	26 1/2" (67.3 cm)	29 1/2" (74.9 cm)
Overall Height	29 1/4" (74.3 cm)	
Overall Depth	to edge of door—25 11/16" (65.2 cm) with door open—46" (116.8 cm)	
Cutout Width	25 1/2" (64.8 cm)	28 1/2" (72.4 cm)
Cutout Height	28 1/8" (71.4 cm)	
Cutout Depth	24" (61.0 cm)	
Electrical Requirements	4-wire ground, 240VAC, 30 amp electrical connection Unit is equipped with No.10 ground wire in conduit. Should be fused separately.	
Maximum Amp Usage	24.0 amps—240 VAC 20.8 amps—208 VAC	
Oven Interior Width	22 5/16" (56.7 cm)	25 6/16" (64.3 cm)
Oven Interior Height	16 1/2" (41.9 cm)	
Oven Interior Depth	16 13/16" (42.7 cm)	
Oven Volume (measured to AHAM standard)*	3.6 cu. ft.	4.1 cu. ft.
Oven Volume (total oven cavity)	4.1 cu. ft.	4.7 cu. ft.
Approximate Shipping Weight	237 lbs. (108 kg)	261 lbs. (118 kg)

\*The AHAM Standard for measuring oven capacity subtracts the door plug and convection baffle dimension from the total oven volume.

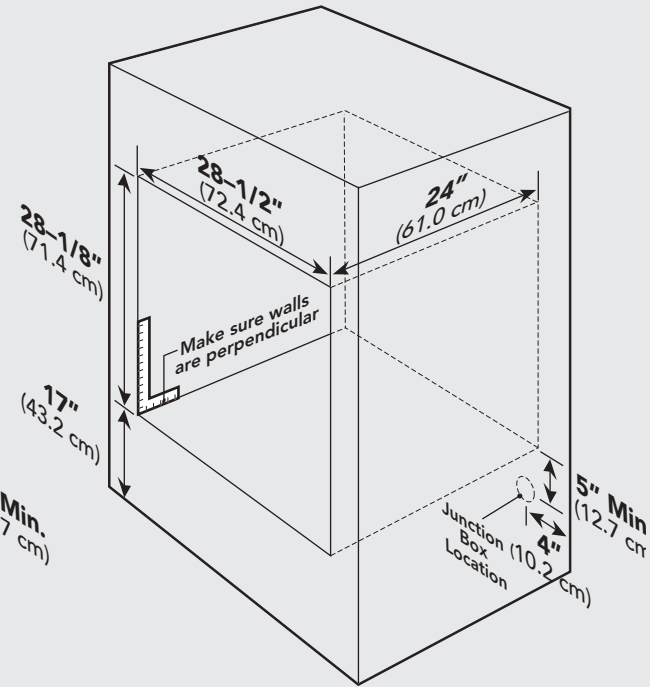
# Cutout Dimensions—Single Oven

(Professional Series—Mechanical and Touch Control Models)

27" Wide Built-In



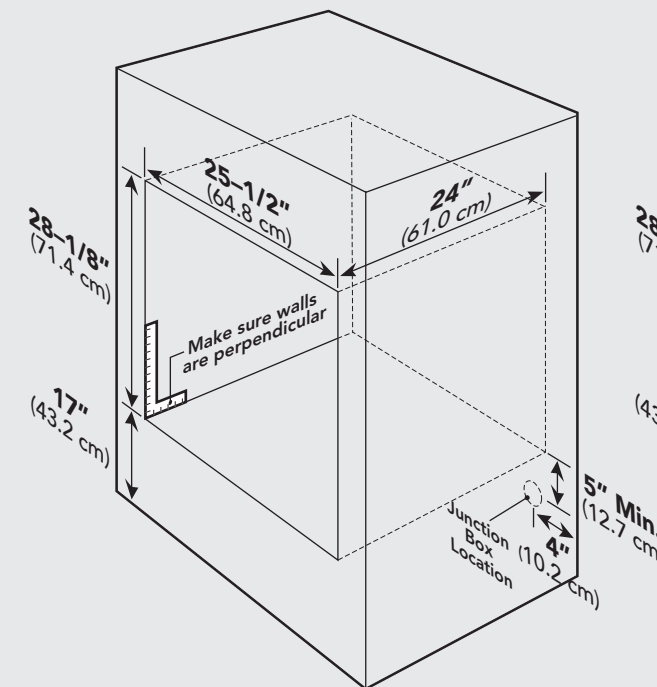
30" Wide Built-In



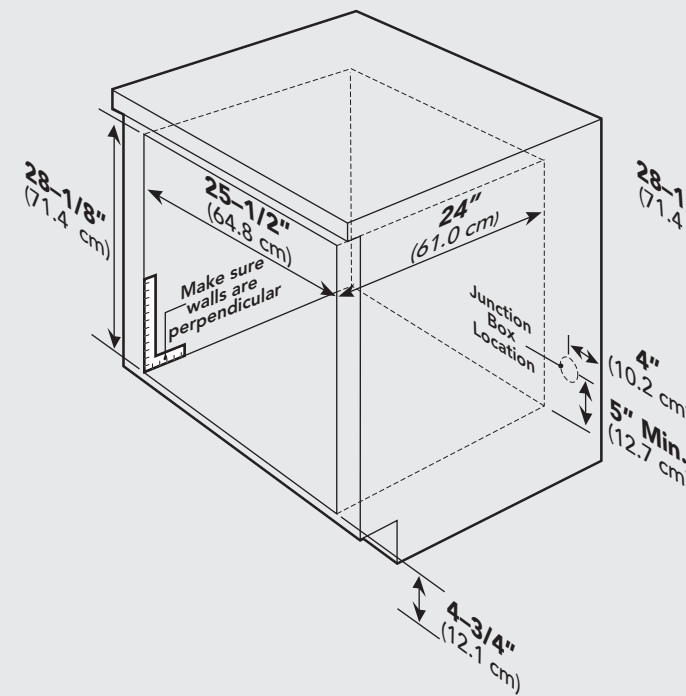
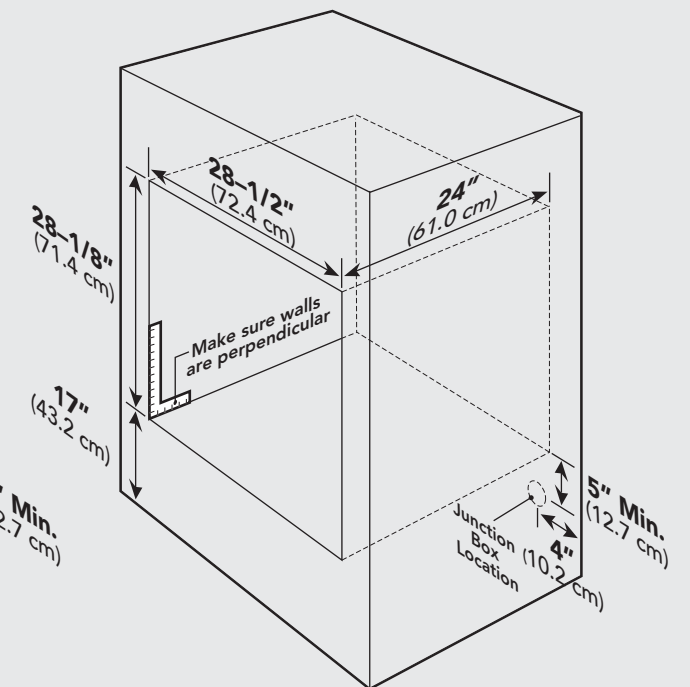
# Cutout Dimensions—Single Oven

(Designer Series—Mechanical and Touch Control Models)

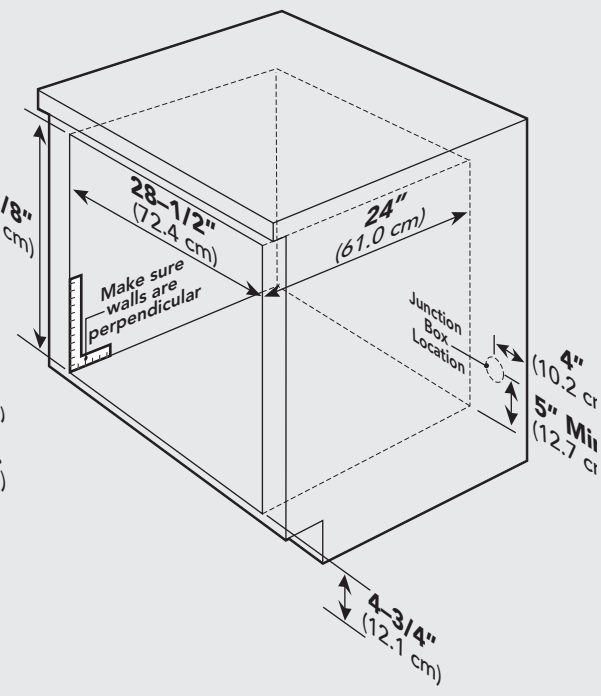
27" Wide Built-In



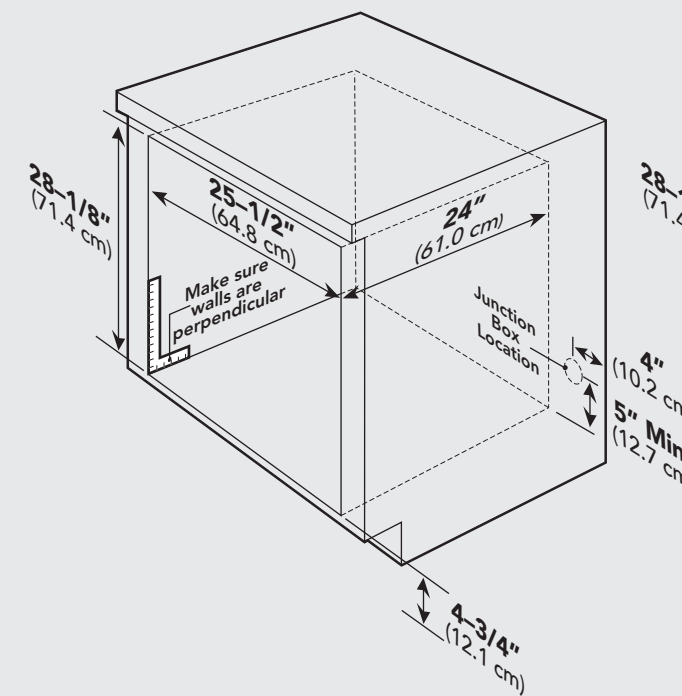
30" Wide Built-In



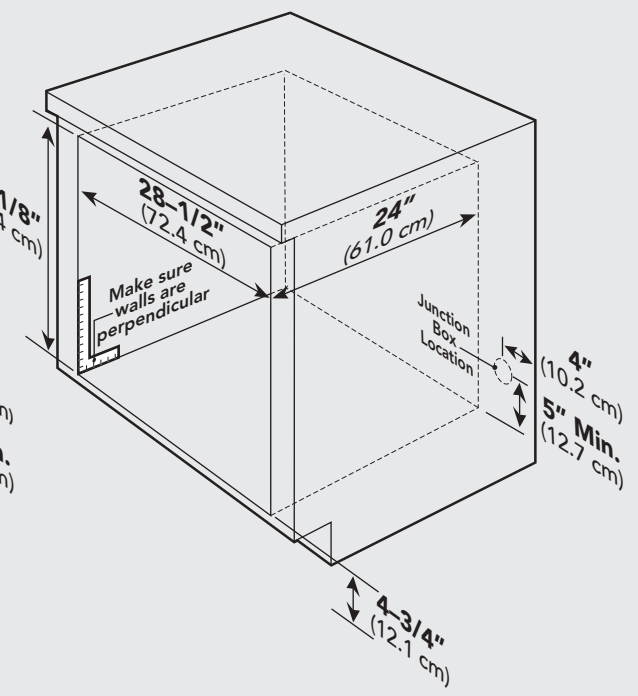
27" Wide Undercounter



30" Wide Undercounter



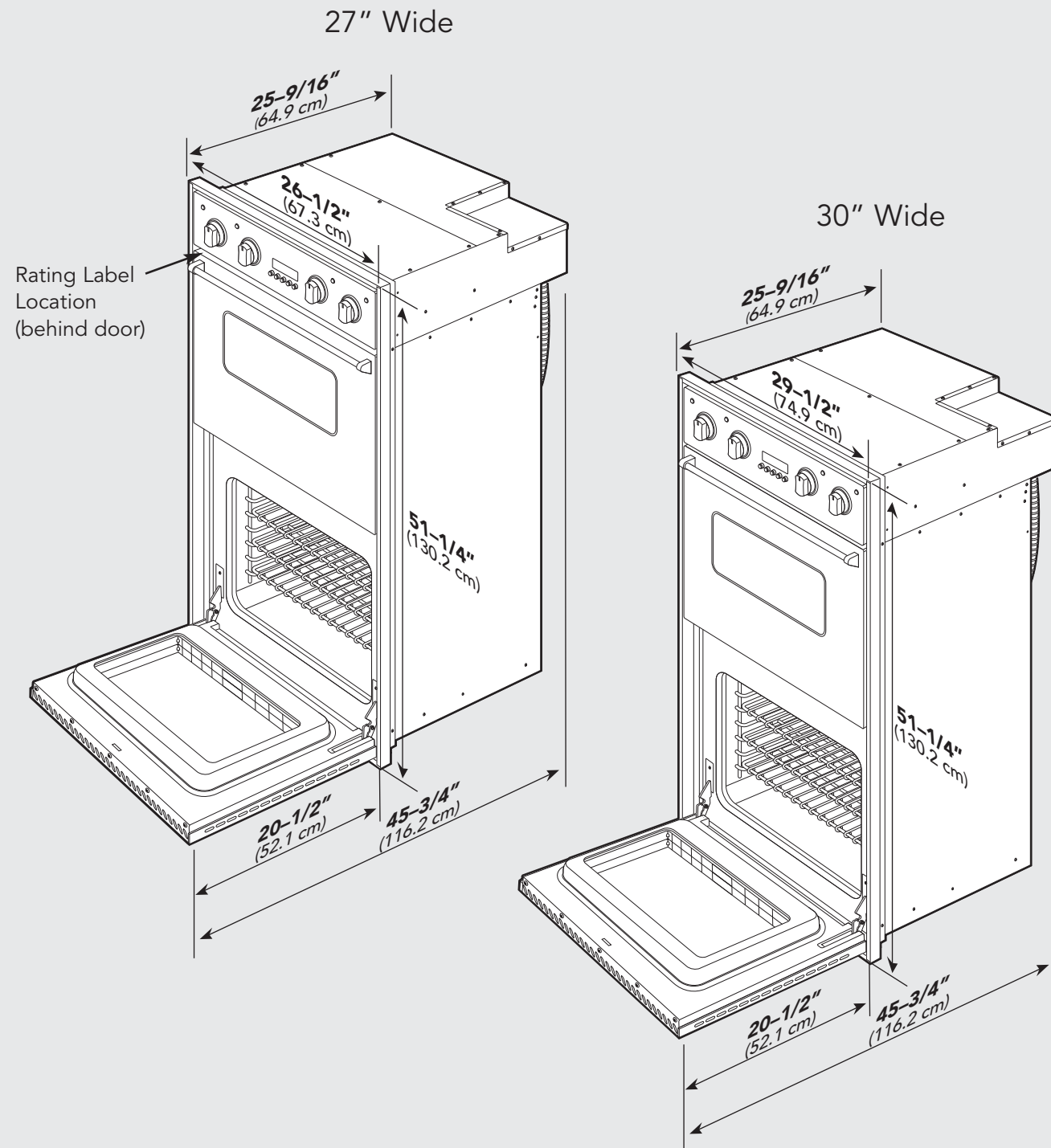
27" Wide Undercounter



30" Wide Undercounter

## Dimensions—Double Oven

(Professional Series—Mechanical and Touch Control Models)



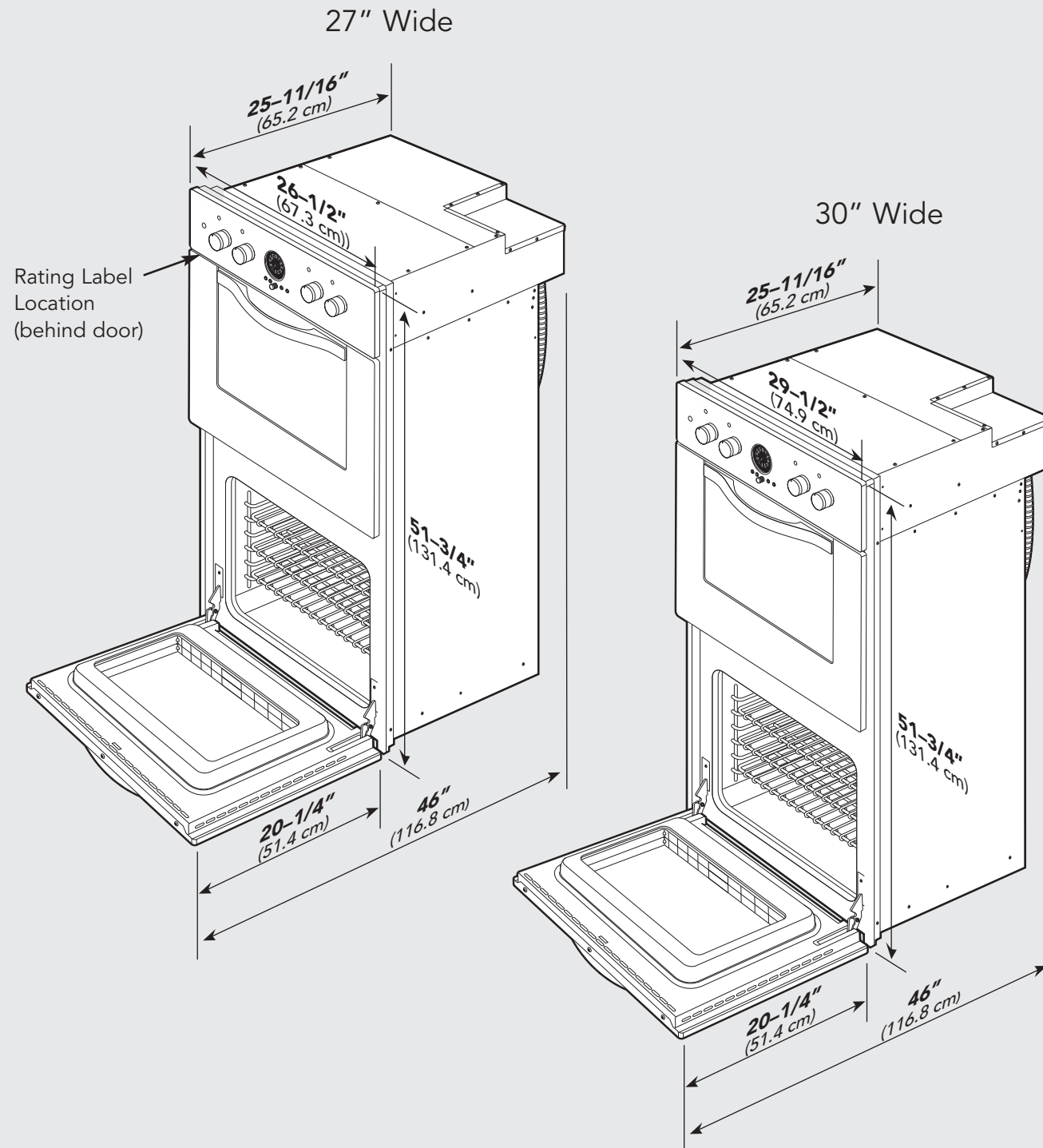
## Specifications & Electrical Requirements

Professional Double Oven		
Description	VEDO127(T)/VEDO5271/ VEDO527T - 27" Wide	VEDO130(T)/VEDO5301/ VEDO530T - 30" Wide
Overall Width	26 1/2" (67.3 cm)	29 1/2" (74.9 cm)
Overall Height	51 1/4" (130.2 cm)	
Overall Depth	to edge of door—25 9/16" (64.9 cm) with door open—45 3/4" (116.2 cm)	
Cutout Width	25 1/2" (64.8 cm)	28 1/2" (72.4 cm)
Cutout Height	50 5/8" (128.6 cm)	
Cutout Depth	24" (61.0 cm)	
Electrical Requirements	4-wire ground, 240VAC, 50 amp electrical connection Unit is equipped with No.10 ground wire in conduit. Should be fused separately.	
Maximum Amp Usage	40.0 amps—240 VAC 34.7 amps—208 VAC	
Oven Interior Width—both ovens	22 5/16" (56.7 cm)	25 5/16" (64.3 cm)
Oven Interior Height—both ovens	16 1/2" (41.9 cm)	
Oven Interior Depth	<b>Upper Oven:</b> 16 13/16" (42.7 cm) - AHAM 19 1/2" (49.5 cm) - Overall <b>Lower Oven - VEDO127(T)/VEDO130(T):</b> 18 1/2" (46.9 cm) - AHAM 19 1/2" (49.5 cm) - Overall <b>Lower Oven - VEDO5271/VEDO5301 VEDO527T/VEDO530T:</b> 16 13/16" (42.7 cm) - AHAM 19 1/2" (49.5 cm) - Overall	
Oven Volume (measured to AHAM standard)*	<b>Upper Oven:</b> 3.6 cu. ft. <b>Lower Oven:</b> VEDO127(T): 4.0 cu. ft. VEDO5271/VEDO527T: 3.6 cu. ft.	<b>Upper Oven:</b> 4.1 cu. ft. <b>Lower Oven:</b> VEDO130(T): 4.5 cu. ft. VEDO5301/VEDO530T: 4.1 cu. ft.
Oven Volume (Overall)	<b>Both Ovens:</b> 4.1 cu. ft.	<b>Both Ovens:</b> 4.7 cu. ft.
Approximate Shipping Weight	360 lbs. (163 kg)	402 lbs. (182 kg)

\*The AHAM Standard for measuring oven capacity subtracts the door plug and convection baffle dimension from the total oven volume.

## Dimensions—Double Oven

(Designer Series—Mechanical and Touch Control Models)



## Specifications & Electrical Requirements

Designer Double Oven		
Description	DEDO127(T)/527(T)—27" Wide	DEDO130(T)/530(T)—30" Wide
Overall Width	26 1/2" (67.3 cm)	29 1/2" (74.9 cm)
Overall Height	51 3/4" (131.4 cm)	
Overall Depth	to edge of door—25 11/16" (65.2 cm) with door open—46" (116.8 cm)	
Cutout Width	25 1/2" (64.8 cm)	28 1/2" (72.4 cm)
Cutout Height	50 5/8" (128.6 cm)	
Cutout Depth	24" (61.0 cm)	
Electrical Requirements	4-wire ground, 240VAC, 50 amp electrical connection Unit is equipped with No.10 ground wire in conduit. Should be fused separately.	
Maximum Usage	40.0 amps—240 VAC 34.7 amps—208 VAC	
Oven Interior Width—both ovens	22 5/16" (56.7 cm)	25 5/16" (64.3 cm)
Oven Interior Height—both ovens	16 1/2" (41.9 cm)	
Oven Interior Depth	<b>Upper Oven:</b> 16 13/16" (42.7 cm) - AHAM 19 1/2" (49.5 cm) - Overall <b>Lower Oven - DEDO127(T)/DEDO130(T):</b> 18 1/2" (46.9 cm) - AHAM 19 1/2" (49.5 cm) - Overall <b>Lower Oven - DEDO527(T)/DEDO530(T):</b> 16 13/16" (42.7 cm) - AHAM 19 1/2" (49.5 cm) - Overall	
Oven Volume (AHAM*)	<b>Upper Oven:</b> 3.6 cu. ft. <b>Lower Oven:</b> DEDO127(T): 4.0 cu. ft. DEDO527(T): 3.6 cu. ft.	<b>Upper Oven:</b> 4.1 cu. ft. <b>Lower Oven:</b> DEDO130(T): 4.5 cu. ft. DEDO530(T): 4.1 cu. ft.
Oven Volume (Overall)	<b>Both Ovens:</b> 4.1 cu. ft.	
Approximate Shipping Weight	360 lbs. (163 kg)	402 lbs. (182 kg)

\*The AHAM Standard for measuring oven capacity subtracts the door plug and convection baffle dimension from the total oven volume.

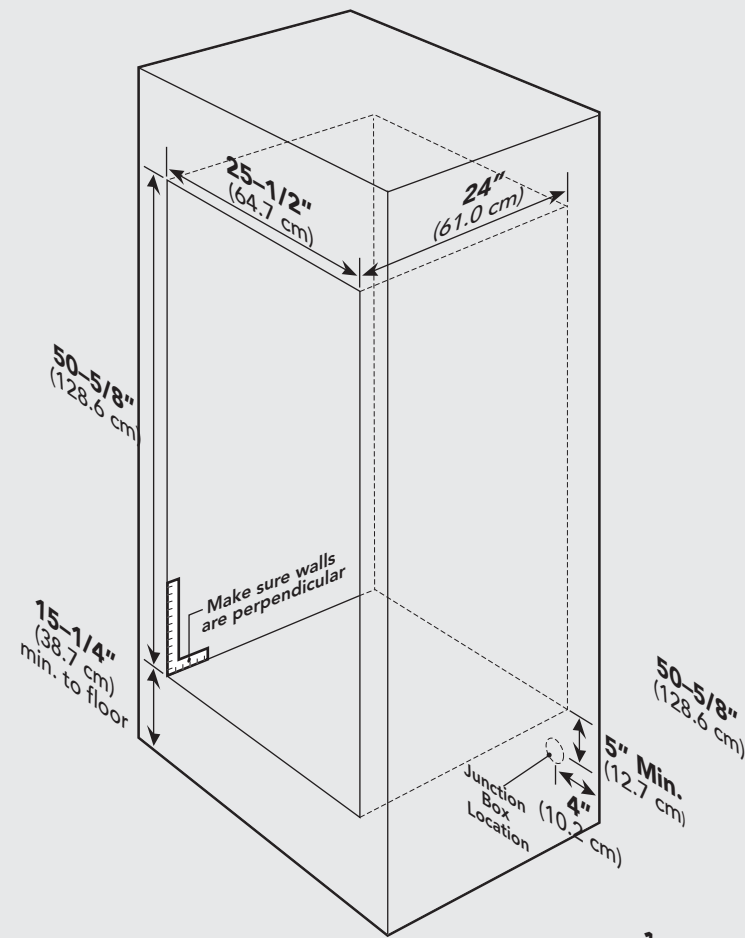
## Cutout Dimensions—Double Oven

(Professional Series—Mechanical and Touch Control Models)

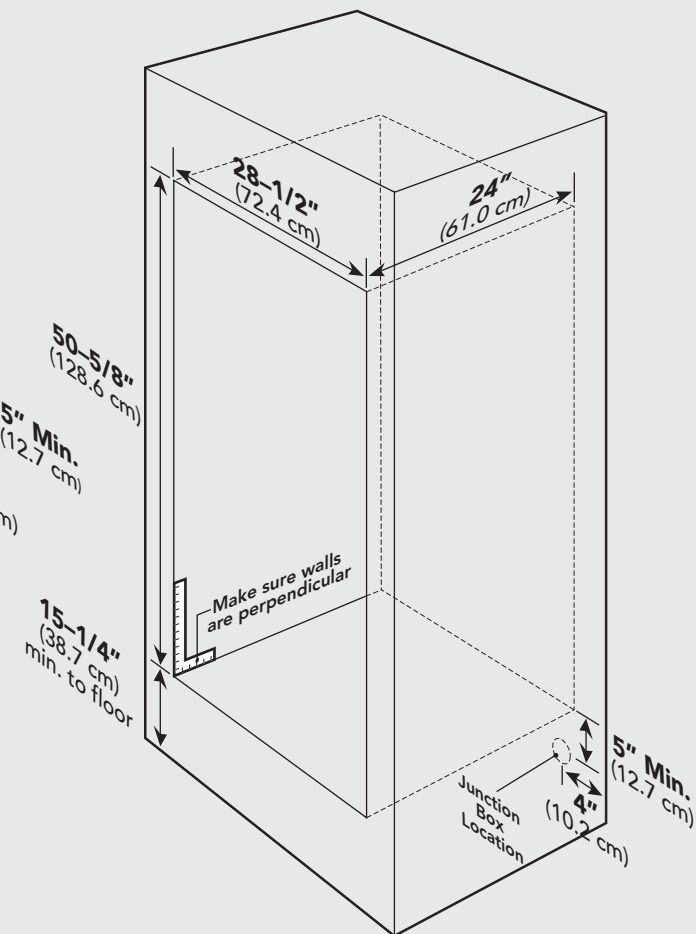
## Cutout Dimensions—Double Oven

(Designer Series—Mechanical and Touch Control Models)

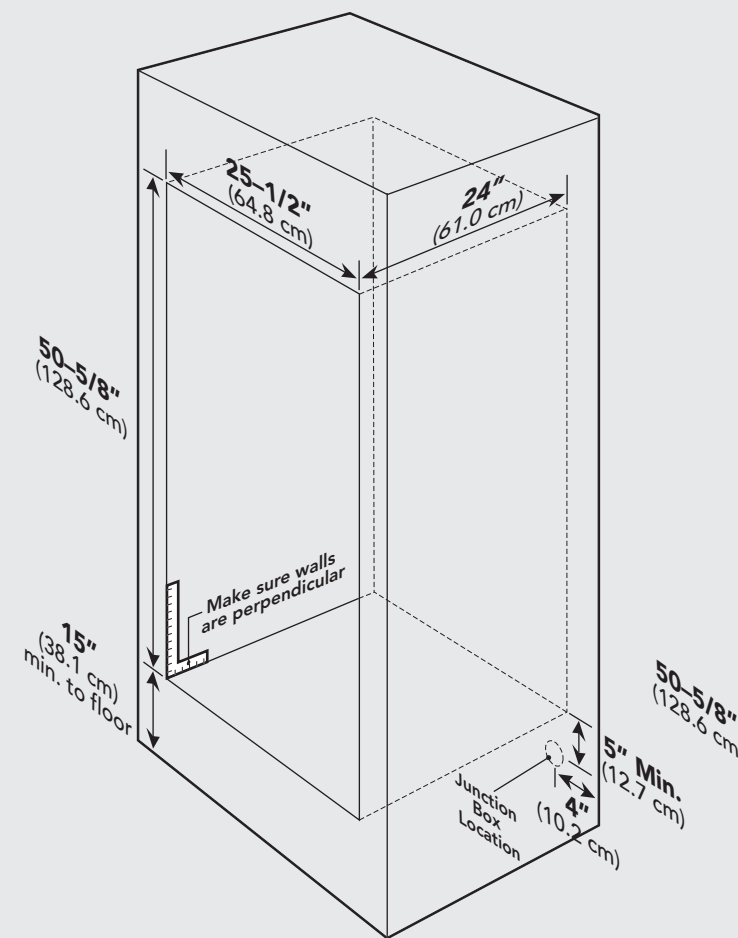
27" Wide Built-In



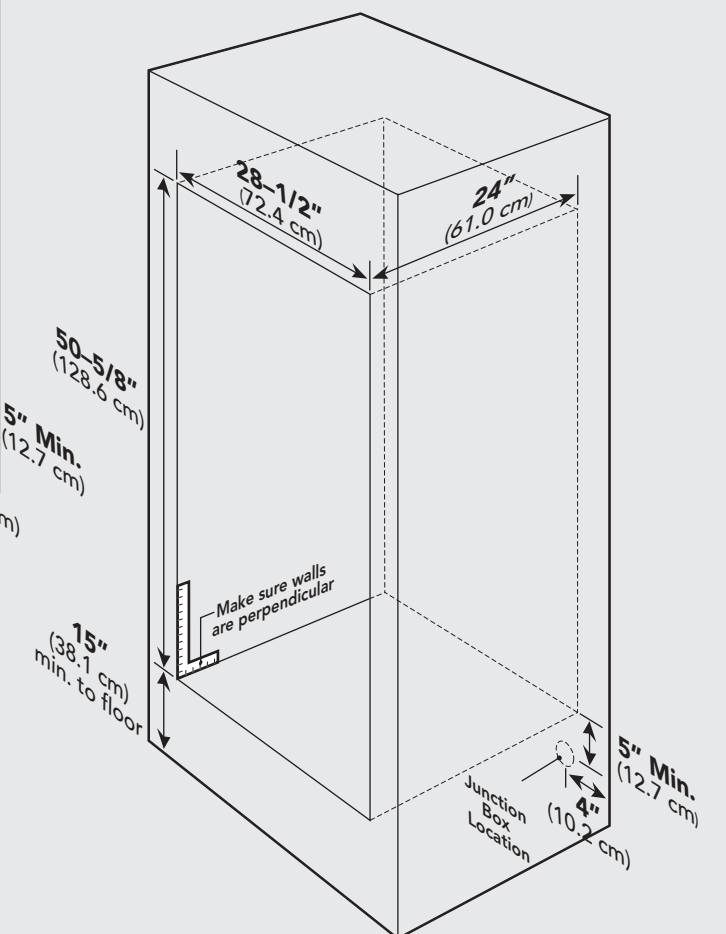
30" Wide Built-In



27" Wide Built-In



30" Wide Built-In





## General Information

- All openings in the wall behind the appliance or in the floor under the appliance should be sealed.
- Keep appliance area clear and free from combustible materials, gasoline and other flammable vapors.
- Disconnect the electrical supply prior to servicing or cleaning.
- When removing the appliance for cleaning or service, disconnect AC power supply and carefully remove the appliance by pulling forward.
- **CAUTION:** The oven is heavy – use care when handling!
- Electrical requirements are listed in the product specifications under the electrical requirements section.
- To remove the packaging, first remove the staples located at the bottom perimeter of the corrugated cover.
- Remove the corrugated cover by lifting it off the product and remove the inner-packing.
- Detach the product from the metal anchor strip by removing the attachment screw.
- DO NOT remove the protective wrapping from the product control panel until the product is installed.

### Recommendations for Moving

- The appliance is heavy – use extreme care when handling!
- **WARNING: DO NOT** use the handle or oven door to lift the oven. Remove door before installation to ensure that it is not used to lift the unit. **Do not lift or carry the door by the handle.**
- Only proper equipment should be used to move products.
- ALWAYS take steps to protect flooring at the installation location when moving products.

### Recommendations for Unpacking

- Products are shipped on pallets with foam footings and corrugated inner-packing and exterior hoods.
- Products are anchored to the pallet using metal straps that are screwed to the bottom of the product and the pallet.
- DO NOT remove protective packaging until you are ready to perform the installation.

## Installation

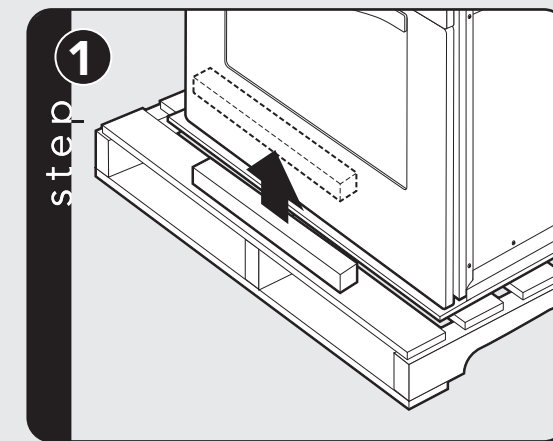
### Site Preparation

**Note:** It is recommended that a thorough site inspection be conducted PRIOR to unpacking and moving this appliance.

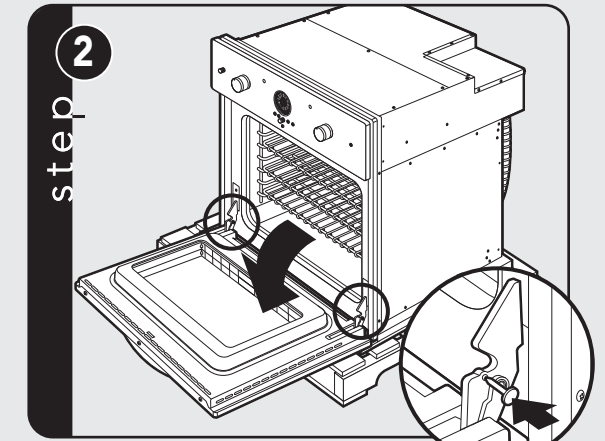
- **WARNING: DO NOT** use the handle or oven door to lift the oven. Remove door before installation to ensure that it is not used to lift the unit. Make sure pins are inserted into hinges before removing door to prevent personal injury to hands and/or fingers. **Do not lift or carry the door by the handle.**
- Confirm available access to adequate power – see electrical requirements.
  - Single oven units require a 30 amp circuit
  - Double oven units require a 50 amp circuit
- It is recommended that 3/4" or larger material be utilized to create a support platform for this appliance.

- **BE SURE** that support for this appliance is perpendicular to the front facing of the wall or cabinet before you perform the installation.
- Use of a hydraulic lift is recommended for the installation of double oven units.
- All openings in the wall behind the appliance or in the floor under the appliance should be sealed.
- Keep appliance area clear and free from combustible materials, gasoline and other flammable vapors.
- **WARNING: DO NOT USE AN EXTENSION CORD WITH THIS APPLIANCE.** SUCH USE MAY RESULT IN FIRE, ELECTRICAL SHOCK OR OTHER PERSONAL INJURY.

### Installation Procedure

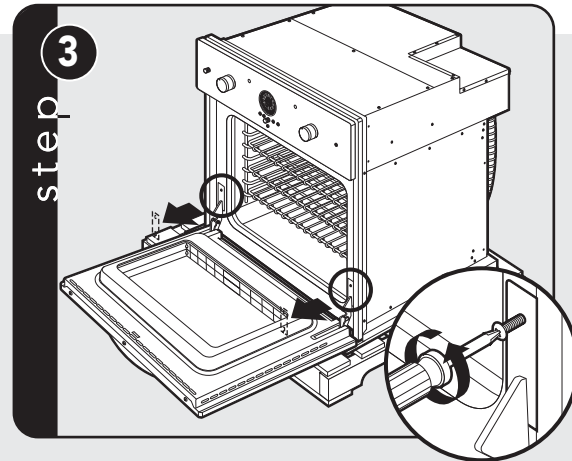


Remove wooden brace on front of pallet.

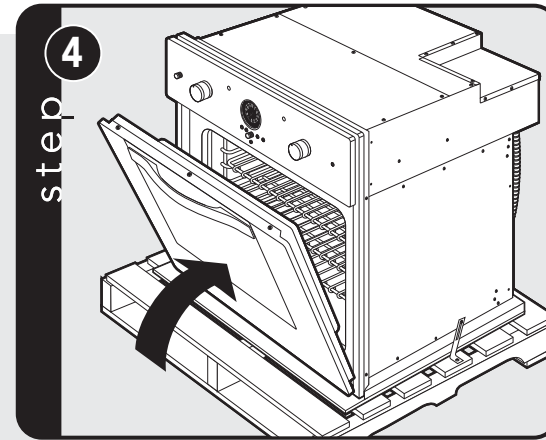


Open door completely. Place pin in pin hole.

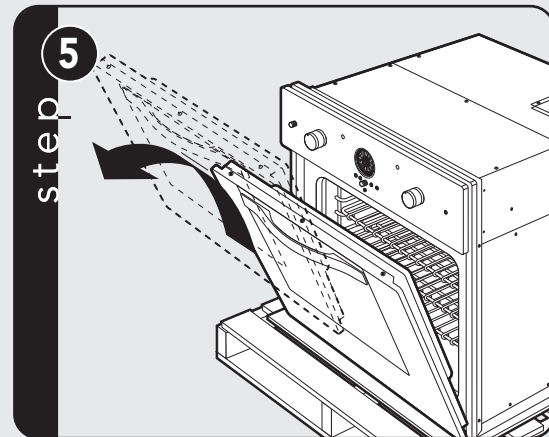
## Installation Procedure (continued)



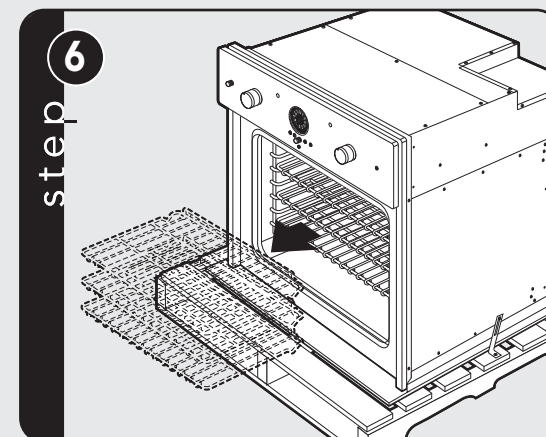
Remove hinge trim screws. Take off hinge trim.



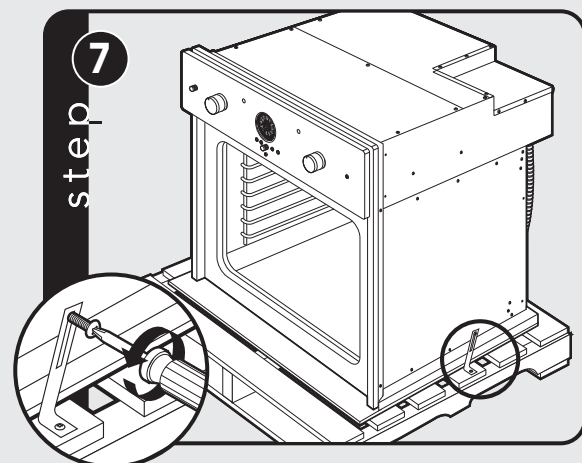
Close until pins stop door.



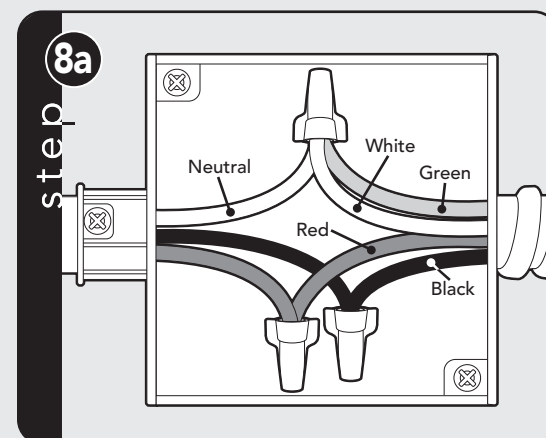
Lift door up and out. Repeat for all doors.



Remove racks.



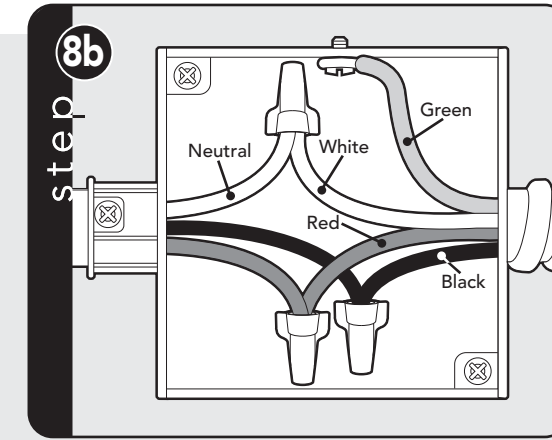
Unscrew pallet screws from side of oven.



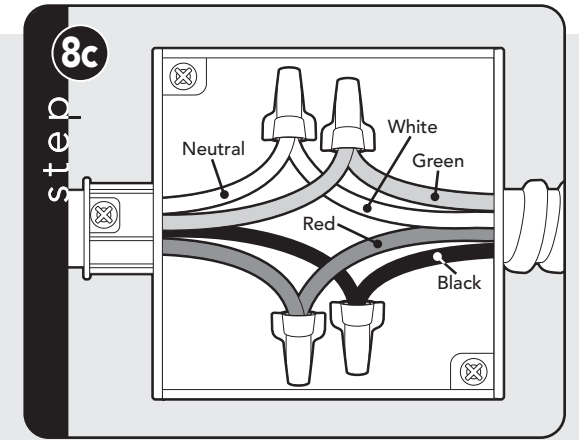
**Wiring option 1\***  
(connect the white and green to the incoming neutral)

\*Note: Check local code to see which wiring option should be used when grounding the unit.

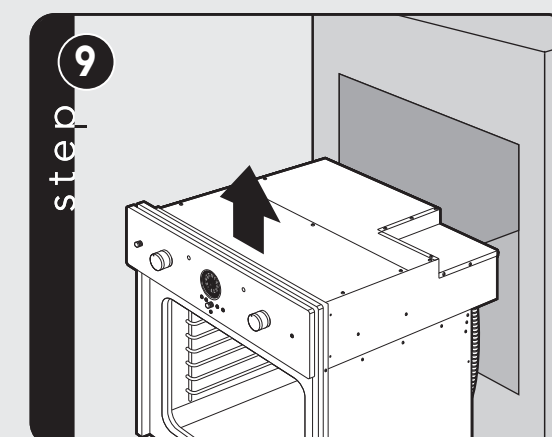
## Installation Procedure (continued)



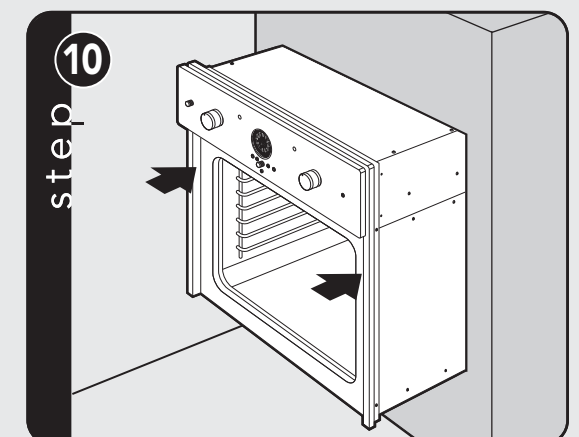
**Wiring option 2\***  
(connect the white to the incoming neutral, attach green to grounded junction box)



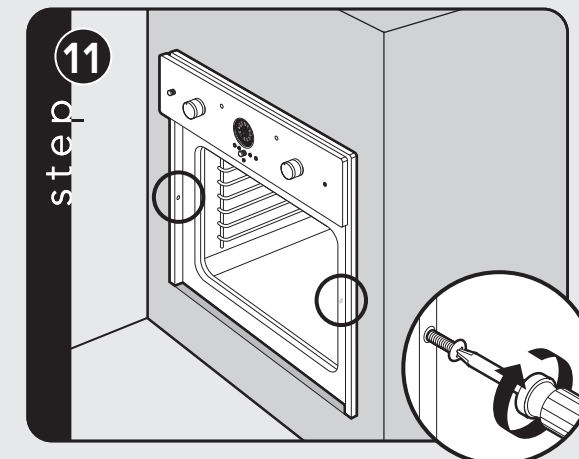
**Wiring option 3\***  
(connect the white to the incoming neutral, attach green to suitable ground)



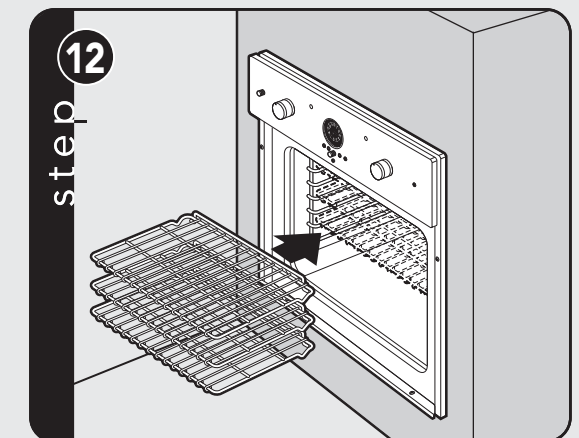
Lift oven into position.



Push oven straight in.



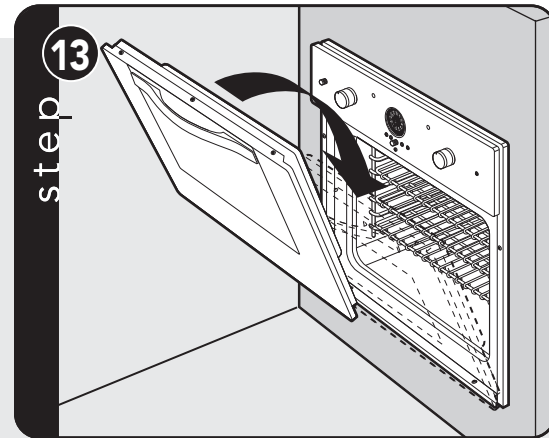
Attach screws to the side of the framing.  
**Note:** 2 screws for single ovens,  
4 screws for double ovens (screws not included)



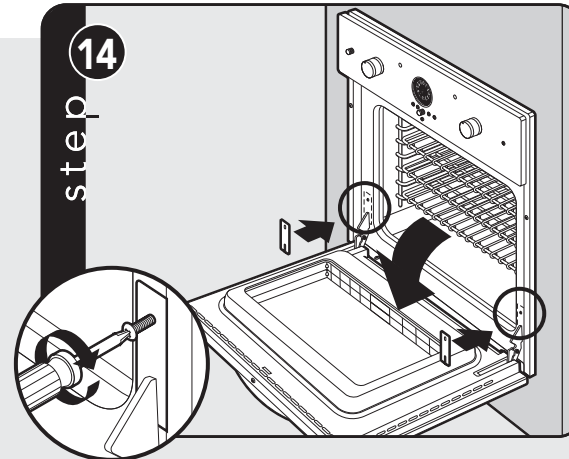
Replace racks.

\*Note: Check local code to see which wiring option should be used when grounding the unit.

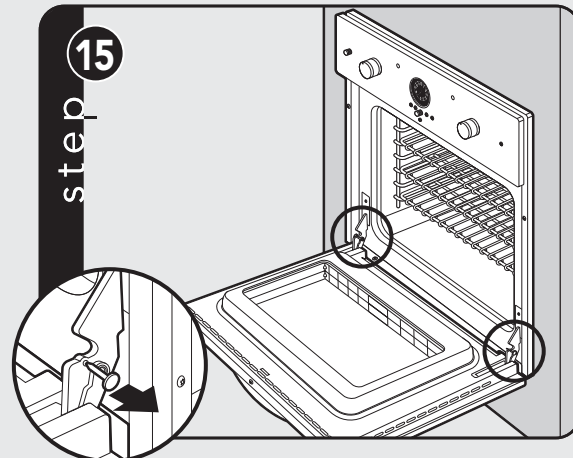
## Installation Procedure (continued)



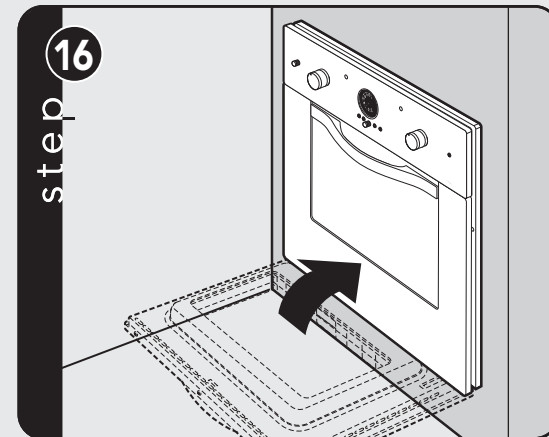
Replace door.



Open door completely. Put hinge trim plates back on.  
**Note:** Screw holes may need to be re-aligned.



Take out pins.  
**Note:** To adjust door turn adjustment screw clockwise (up) or counterclockwise (down).



Close door.

## Performance Checklist

A qualified installer should carry out the following checks:

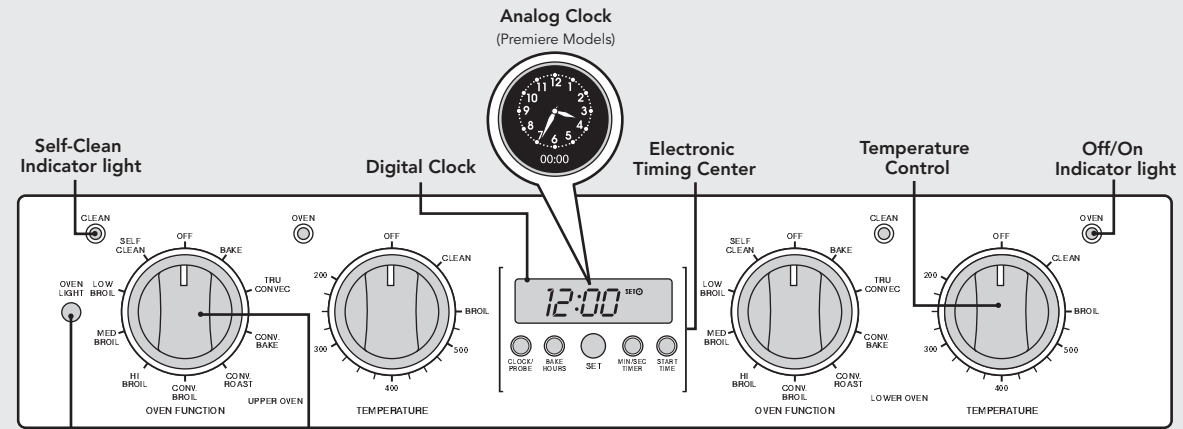
1. Check oven bake function—bake element on full power, center and outside broil elements at partial power. Convection bake function—bake and broil elements the same with the convection fan on.
2. Check TruConvec™ function— TruConvec element (behind convection fan cover) on and convection fan on.
3. Check high broil function—both broil elements at full power. Convection broil function is the same with convection fan on.
4. Check medium broil function—inner and outer broil elements pulse on and off.
5. Check low broil function—inner broil element only.

6. Check self-clean function—Door will lock in approximately 30 seconds, the center and outside broil elements will turn on and the bake element will turn on at partial power. Check broil elements through window to make sure they are on, then abort self-clean cycle to unlock door.

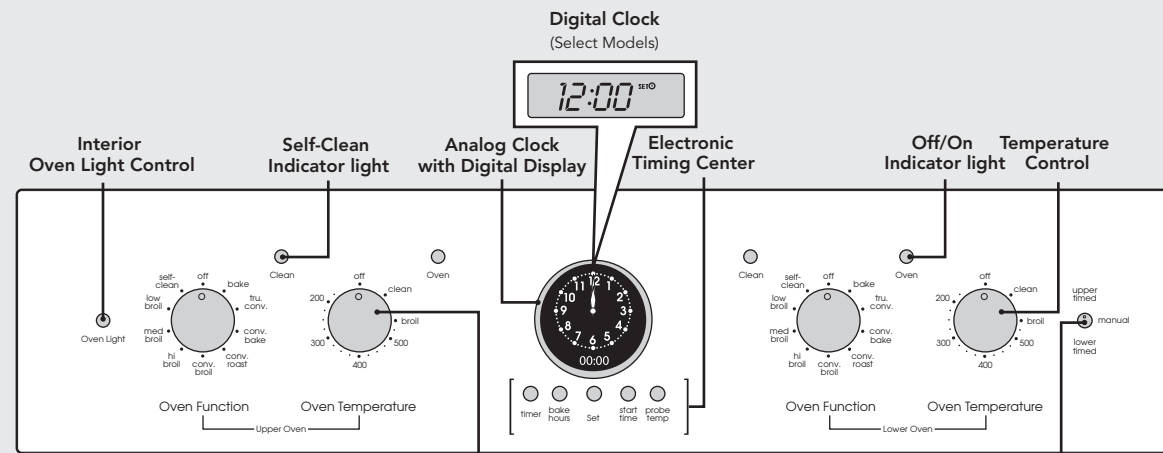
**CAUTION:** Do not run self-clean cycle check for more than 10 minutes with the oven racks and rack supports inside oven to avoid discoloration due to the high temperature.

Any adjustments necessary that are a result of the installer not following instructions will be the responsibility of the installer, dealer or the end user of the product.

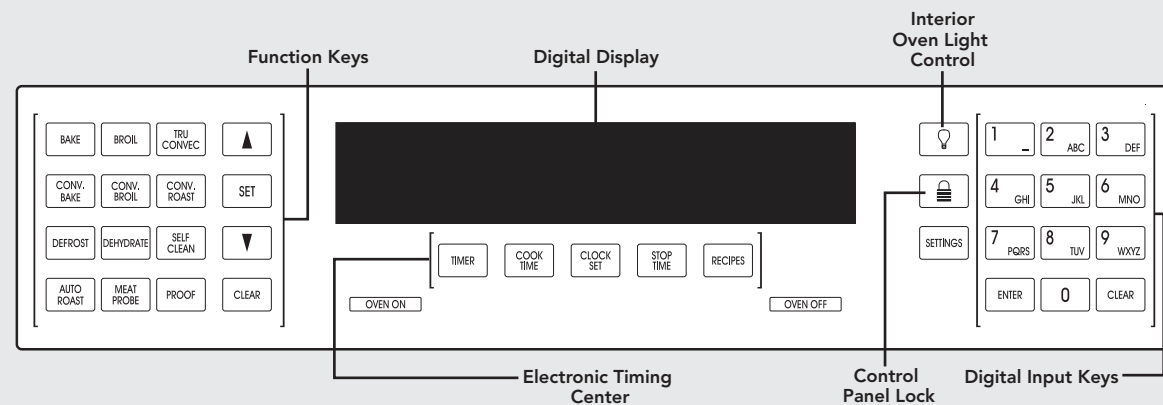
## Performance Checklist (continued)



Interior Oven Light Control  
Oven Function Selector  
Professional Series



Designer Series  
Oven Function Selector  
Manual/Timed Control



Professional/Designer Series-Touch Control

## Final Preparation

1. Some stainless steel parts may have a plastic protective wrap, which must be peeled off. All stainless steel body parts should be wiped with hot soapy water and with liquid cleaner designed for this material. If build-up occurs, do not use steel wool, abrasive cloths, cleaners or powders!! If it is necessary to scrape stainless steel to remove encrusted materials, soak with hot, wet cloths to loosen the material, then use a wood or nylon scraper. Do not use a metal knife, spatula, or any other metal tool to scrape stainless steel!! Scratches are almost impossible to remove.

2. The interior of the oven should be washed thoroughly with hot, soapy water to remove film residues and installation debris before being used for food preparation, then rinsed and wiped dry. Solutions stronger than soapy water are rarely needed.

Record the following information indicated below. You will need it if service is ever required. The serial number and model number for your oven are located on the identification plate mounted on the bottom left side of the oven door opening.

Model Number

Serial Number

Date of Purchase

Date Installed

Dealer's Name

Address

## Service & Parts

Only authorized replacement parts may be used in performing service on the range. Do not repair or replace any part of the appliance unless specifically recommended in the manual. All other servicing should be referred to a qualified technician.