

# Viking Installation Guide



## Electric Induction Rangetops

Viking Range Corporation  
111 Front Street  
Greenwood, Mississippi 38930 USA


## IMPORTANT: PLEASE READ AND FOLLOW

- Before beginning, please read these instructions completely and carefully.
- Do not remove permanently affixed labels, warnings, or plates from product. This may void the warranty.
- Please observe all local and national codes and ordinances.
- Please ensure that this product is properly grounded.
- **The installer should leave these instructions with the consumer who should retain for local inspector's use and for future reference.**

Installation must conform with local codes or in the absence of codes, with the National Electrical Code, ANSI/NFPA 70-latest edition. In CANADA: Electrical installation must be in accordance with the current CSA C22.2 Canadian Electrical Codes Part 1 and/or local codes.

## GENERAL INFORMATION

- **WARNING:** The use of cabinets for storage above the appliance may result in potential fire or burn hazard. Combustible items may ignite, metallic items may become hot and cause burns. If a cabinet storage is to be provided the risk can be reduced by installing a rangehood that projects horizontally a minimum of 5" (12.7 cm) beyond the bottom of the cabinets.
- **WARNING:** This appliance shall not be used for space heating. This information is based on safety considerations.
- All openings in the wall behind the appliance and in the floor under the appliance shall be sealed.
- Keep appliance area clear and free from combustible materials, gasoline, and other flammable vapors.
- Disconnect the electric supply to the appliance before servicing.
- When removing oven for service and/or cleaning, disconnect AC power supply.
- Electrical requirements:  
Listed in specifications chart. Electrical installation should comply with national and local codes.



### WARNING

#### ELECTRICAL GROUNDING INSTRUCTIONS

This rangetop must be electrically grounded in accordance with local codes or, in the absence of codes, with the National Electrical Code, ANSI/NFPA 70-latest edition. .

**FOR PERSONAL SAFETY, THIS APPLIANCE MUST  
BE PROPERLY GROUNDED.**

## ELECTRICAL REQUIREMENTS

Check your national and local codes regarding this unit. This rangetop is supplied with a 3 wire 240/208, 60hz conduit which is equipped with a No. 10 ground wire. See electrical connection section for grounding instructions. **This unit should be fused separately.** **CAUTION:** Be sure the electrical power is off from the breaker box to the junction box until the unit is installed and ready to operate. The junction box should be connected to a suitable ground.

## ELECTRICAL CONNECTION

**WARNING:** The electrical power to the unit must be shut off while line connections are being made. Failure to do so could result in serious injury or death.

When making the wire connections, use the entire length of the conduit provided (3 feet). The conduit must not be cut. Connect the red and black leads from the unit conduit to the corresponding leads in the junction box. The bare ground wire in the conduit is connected to the unit frame. When connecting to a 3-conductor branch circuit, if local codes permit, connect the bare ground connector lead of the unit to the branch circuit neutral (gray or white in color).

**DO NOT USE AN EXTENSION CORD WITH THIS APPLIANCE. SUCH USE MAY RESULT IN A FIRE, ELECTRICAL SHOCK OR OTHER PERSONAL INJURY.**

## BACK TRIM ACCESSORIES

Assembly and installation instructions are included with all back trim accessories.

## SPECIFICATIONS-ELECTRIC RANGETOP

Description	VCRT300	VIRT300																														
Overall Width	29 7/8" (75.9 cm)																															
Overall Height from Bottom	<b>BASE HEIGHT</b> To top of glass frame 7 7/8" (20.0 cm)	<b>ADDITIONS TO BASE HEIGHT</b> To top of island trim - add 1 1/4" (3.2 cm) To top of backguard - add 6" (15.2 cm) To top of high-shelf - add 23 1/2" (59.7 cm)																														
Overall Depth from Rear	To edge of side panel - 24" (61.0 cm) To end of control panel - 25 15/16" (65.9 cm) To end of knobs - 27 7/16" (69.7 cm)																															
Cutout Width	30" (76.2 cm)																															
Cutout Height	7 1/2" (19.1 cm)																															
Cutout Depth	24" (61.0 cm)																															
Electrical Requirements	3-Wire, 240/208 VAC, 60 Hz, electrical connection. Unit is equipped with No. 10 ground wire in conduit. Should be fused separately.																															
Maximum Amps	240v - 37.9 amps 208v - 32.8 amps	240v - 40.0 amps 208v - 34.6 amps																														
Surface Element Rating	<table border="1"> <thead> <tr> <th></th> <th><b>240V</b></th> <th><b>208V</b></th> </tr> </thead> <tbody> <tr> <td>Left Front</td> <td>2500 watts</td> <td>1875 watts</td> </tr> <tr> <td>Left Rear</td> <td>1500 watts</td> <td>1125 watts</td> </tr> <tr> <td>Right Front</td> <td>1200 watts</td> <td>900 watts</td> </tr> <tr> <td>Right Rear</td> <td>3300 watts</td> <td>2475 watts</td> </tr> </tbody> </table>		<b>240V</b>	<b>208V</b>	Left Front	2500 watts	1875 watts	Left Rear	1500 watts	1125 watts	Right Front	1200 watts	900 watts	Right Rear	3300 watts	2475 watts	<table border="1"> <thead> <tr> <th></th> <th><b>240V</b></th> <th><b>208V</b></th> </tr> </thead> <tbody> <tr> <td>Left Front</td> <td>2700 watts</td> <td>2025 watts</td> </tr> <tr> <td>Left Rear</td> <td>1800 watts</td> <td>1350 watts</td> </tr> <tr> <td>Right Front</td> <td>1200 watts</td> <td>900 watts</td> </tr> <tr> <td>Right Rear</td> <td>3300 watts</td> <td>2475 watts</td> </tr> </tbody> </table>		<b>240V</b>	<b>208V</b>	Left Front	2700 watts	2025 watts	Left Rear	1800 watts	1350 watts	Right Front	1200 watts	900 watts	Right Rear	3300 watts	2475 watts
	<b>240V</b>	<b>208V</b>																														
Left Front	2500 watts	1875 watts																														
Left Rear	1500 watts	1125 watts																														
Right Front	1200 watts	900 watts																														
Right Rear	3300 watts	2475 watts																														
	<b>240V</b>	<b>208V</b>																														
Left Front	2700 watts	2025 watts																														
Left Rear	1800 watts	1350 watts																														
Right Front	1200 watts	900 watts																														
Right Rear	3300 watts	2475 watts																														
Approximate Shipping Weight	110 lbs. (49.5 kg)																															

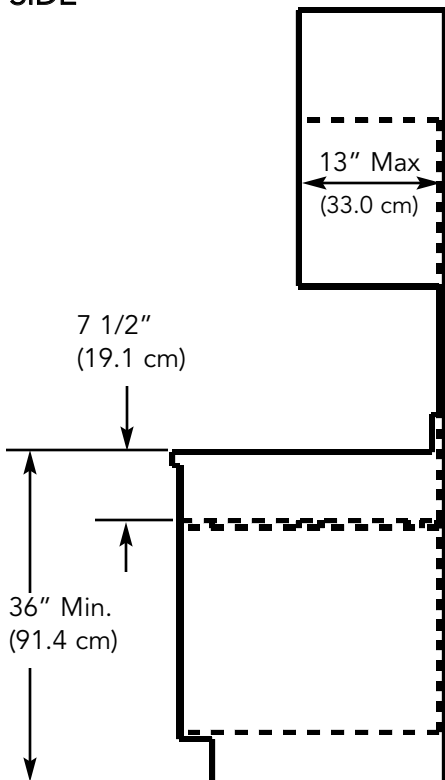
Minimum clearances from adjacent combustible construction

- Cooking surfaces and below (36"[91.4 cm] and below)
  - Sides- 0"
  - Rear- 0" with backguard or highshelf; 0" with island trim and non-combustible wall; 6" (15.2 cm) with island trim and combustible rear wall
  - Top grate support - 36" (91.4 cm)
- Above cooking surface (above 36"[91.4 cm])
  - Sides- 6" (15.2 cm)
  - Within 6" (15.2 cm) side clearance, wall cabinets no deeper than 13" (33.0 cm) must be minimum 18" (45.7 cm) above cooking surface.
  - Wall cabinets directly above product must be minimum 36" (91.4 cm) above cooking surface

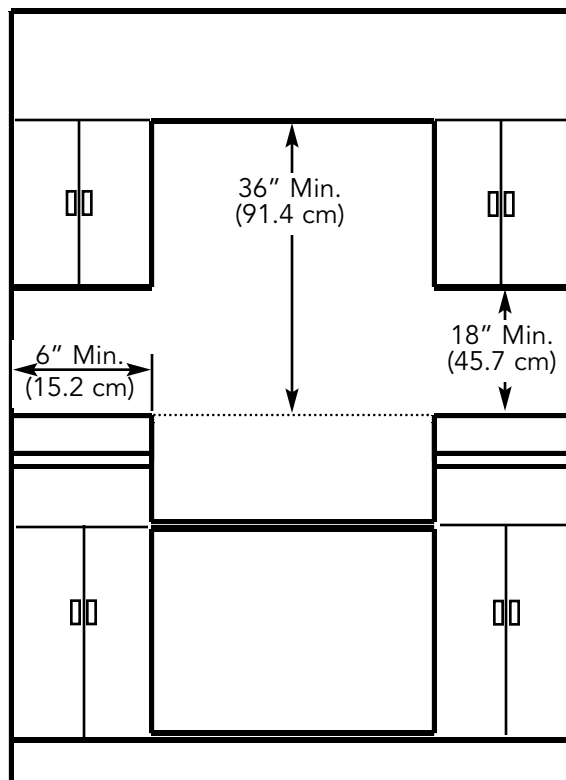
## PROXIMITY TO CABINET INSTALLATION

1. This rangetop may be installed directly adjacent to existing 36" (91.4 cm) high base cabinets.
2. The rangetop CANNOT be installed directly adjacent to sidewalls, tall cabinets, tall appliances, or other side vertical surfaces above 36" (91.4 cm) high. There must be a minimum of 6" (15.2 cm) side clearance from the rangetop to such combustible surfaces above the 36" (91.4 cm) counter height.
3. Within the 6" (15.2 cm) side clearance to combustible vertical surfaces above 36" (91.4 cm), the maximum wall cabinet depth must be 13" (33.0 cm) and wall cabinets within this 6" (15.2 cm) side clearance must be 18" (45.7 cm) above the 36" (91.4 cm) high countertop.
4. Wall cabinets above the rangetop must be a minimum of 36" (91.4 cm) above the rangetop cooking surface for the full width of the rangetop.

SIDE

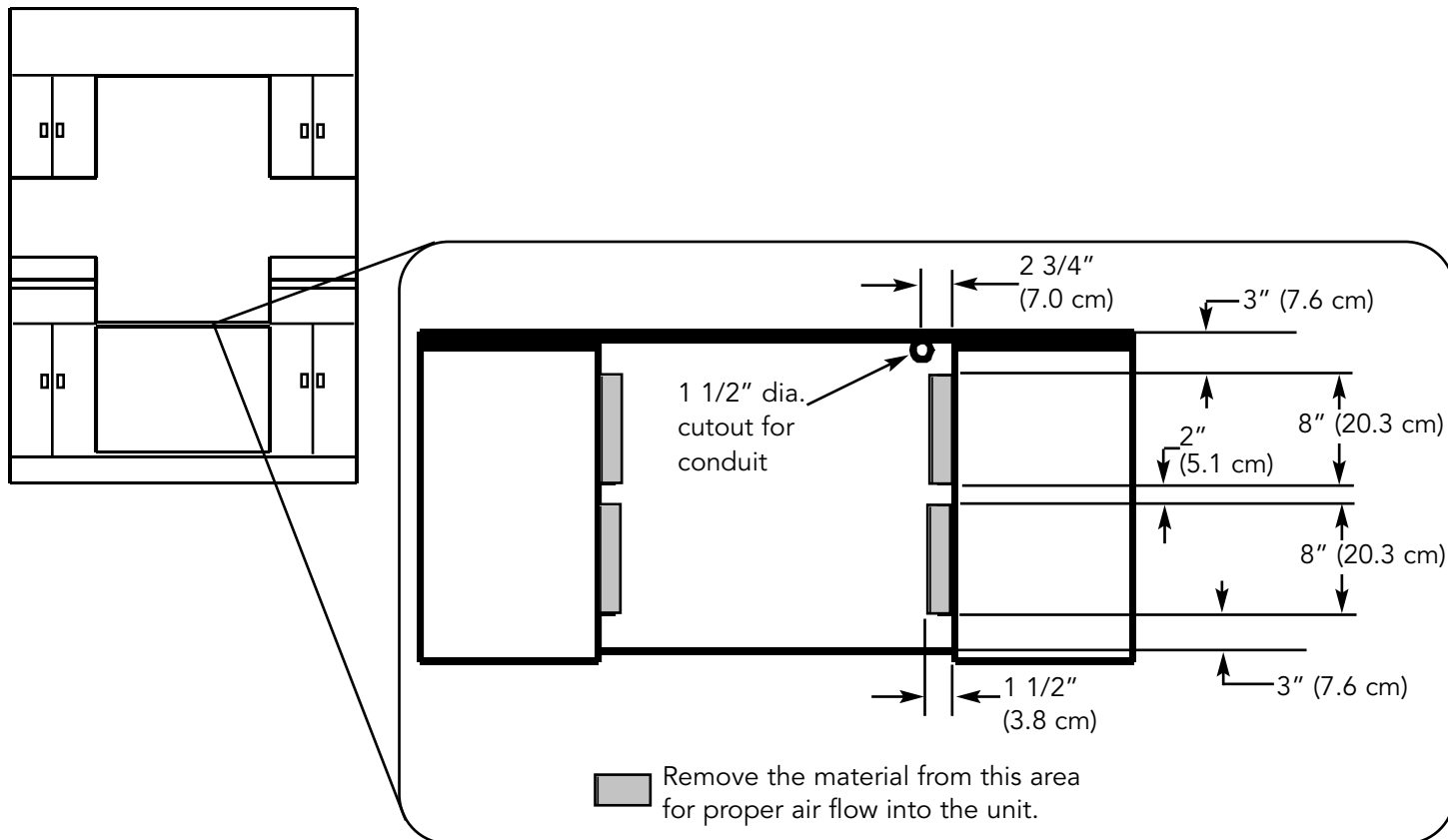


FRONT

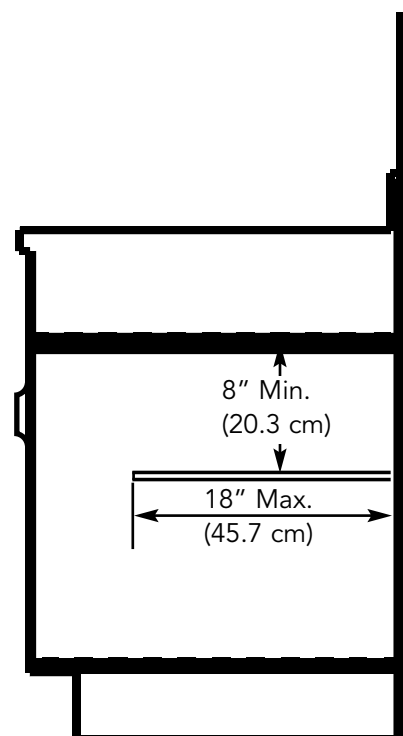


# INTERIOR CABINET CLEARANCES FOR PROPER AIR FLOW

## DETAILED VIEW OF BOTTOM SUPPORT



**IMPORTANT:** The electronic components for the induction elements in the rangetop need some air circulation. To ensure long life of electronic components, it is required that a minimum of 8" (20.3 cm) of open space remain between the bottom of the unit and any shelf underneath. The maximum length of the shelf underneath is to be 18" (45.7 cm). There should be no partition or shelf **directly** underneath the unit.



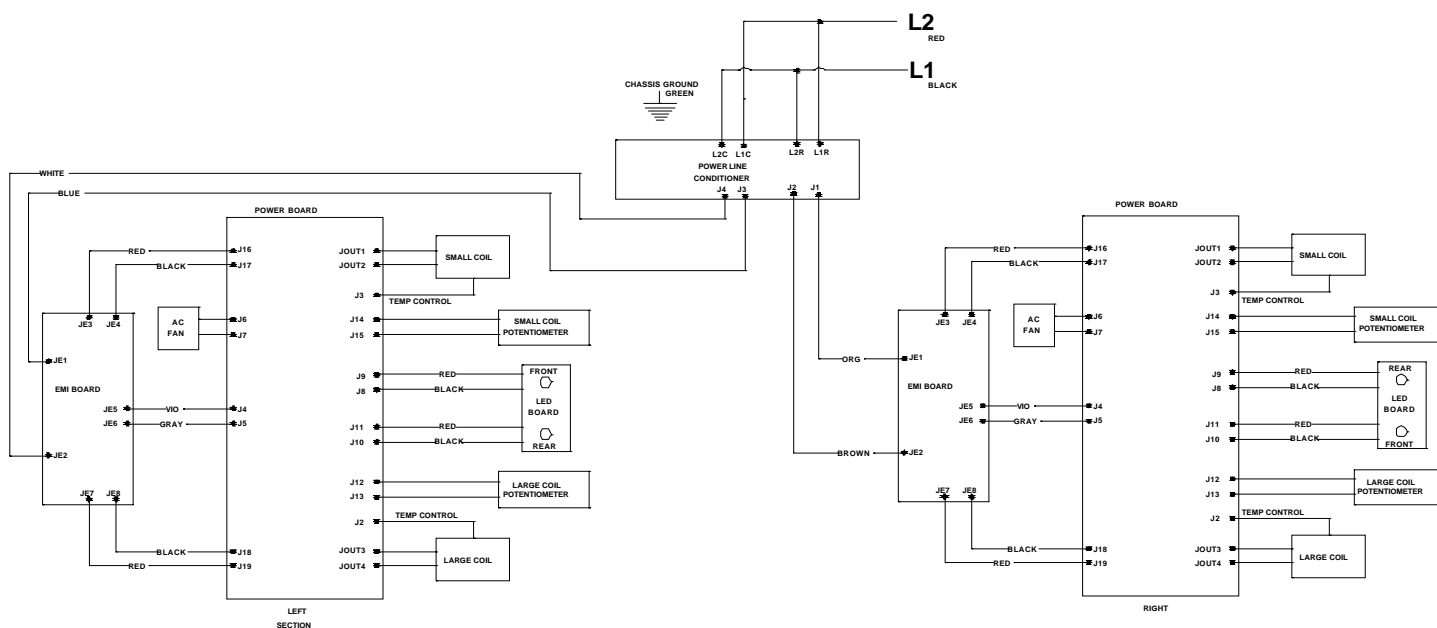
## FINAL PREPARATION

1. Some stainless steel parts may have a plastic protective wrap which must be peeled off. All stainless steel body parts should be wiped with hot, soapy water and with a liquid cleaner designed for this material. If build-up occurs, do not use steel wool, abrasive cloths, cleaners, or powders!! If it is necessary to scrape stainless steel to remove encrusted materials, soak with hot, wet cloths to loosen the material, then use a wood or nylon scraper. Do not use a metal knife, spatula, or any other metal tool to scrape stainless steel! Scratches are almost impossible to remove.
2. The interior of the oven should be washed thoroughly with hot, soapy water to remove film residues and any installation dust or debris before being used for food preparation, then rinsed and wiped dry. Solutions stronger than soap and water are rarely needed.

## REPLACEMENT PARTS

Only authorized replacement parts may be used in performing service on the range. Do not repair or replace any part of the appliance unless specifically recommended in the manual. All other servicing should be referred to a qualified technician.

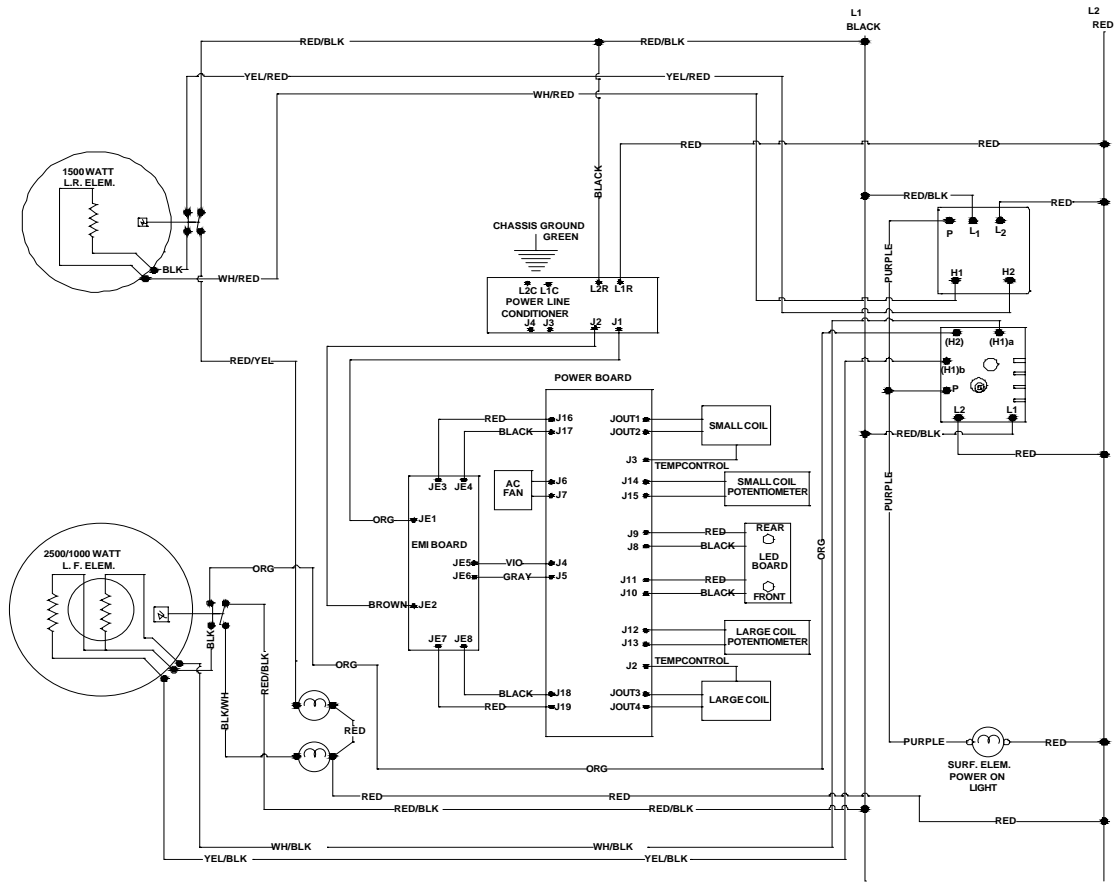
### WIRING DIAGRAM ELECTRIC ALL INDUCTION RANGETOP



**WARNING:** This unit must be properly grounded. See Installation Instructions for proper grounding instructions. NOTE: Trailers or stripes will be the second color in a color combination.

**CAUTION:** Label all wires prior to disconnection when servicing controls. Wiring errors can cause improper and dangerous operation. Verify proper operation after servicing.

# WIRING DIAGRAM ELECTRIC INDUCTION/RADIANT RANGETOP



**WARNING:** This unit must be properly grounded. See Installation Instructions for proper grounding instructions. NOTE: Trailers or stripes will be the second color in a color combination.

**CAUTION:** Label all wires prior to disconnection when servicing controls. Wiring errors can cause improper and dangerous operation. Verify proper operation after servicing.



Viking Range Corporation  
111 Front Street  
Greenwood, Mississippi 38930 USA  
(662) 455-1200

For more product information  
call 1-888-VIKING1 (845-4641)  
or visit the Viking Web site at  
[vikingrange.com](http://vikingrange.com)