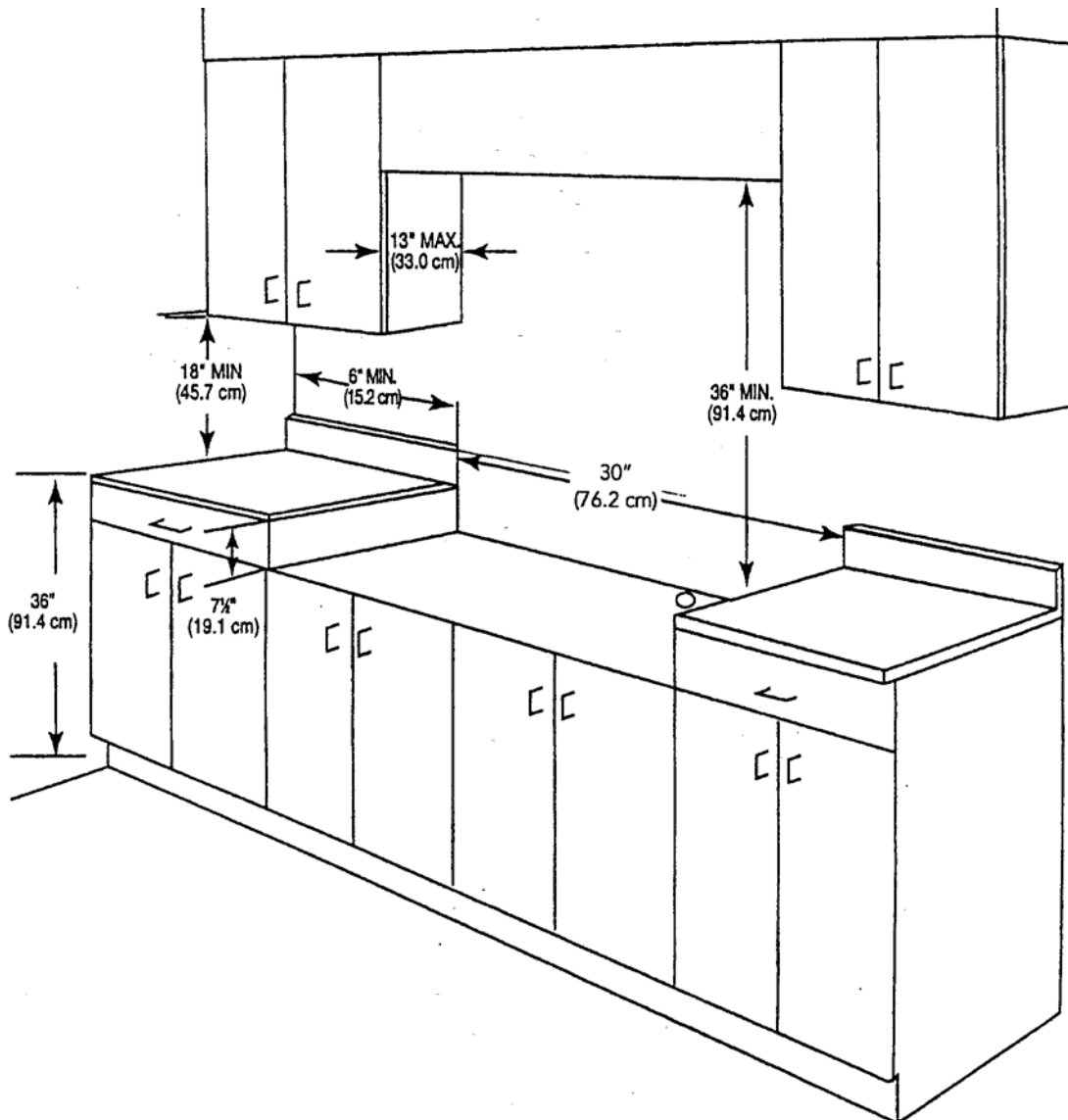


PROXIMITY TO SIDE CABINET INSTALLATION

1. This rangetop may be installed directly adjacent to existing 36" (91.4 cm) high base cabinets. **IMPORTANT:** The top grate support **MUST** be 3/8" (.95 cm) above the adjacent base cabinet countertop.
2. The rangetop **CANNOT** be installed directly adjacent to sidewalls, tall cabinets, tall appliances, or other side vertical surfaces above 36" (91.4 cm) high. There must be a minimum of 6" (15.2 cm) side clearance from the rangetop to such combustible surfaces above the 36" (91.4 cm) counter height.
3. Within the 6" (15.2 cm) side clearance to combustible vertical surfaces above 36" (91.4 cm), the maximum wall cabinet depth must be 13" (33.0 cm) and wall cabinets within this 6" (15.2 cm) side clearance must be 18" (45.7 cm) above the 36" (91.4 cm) high countertop.
4. Wall cabinets above the rangetop must be a minimum of 36" (91.4 cm) above the rangetop cooking surface for the full width of the rangetop. This minimum height requirement does not apply if a rangehood is installed over the cooking surface.



ELECTRICAL REQUIREMENTS

Check your national and local codes regarding this unit. This rangetop is supplied with a 3 wire conduit which is equipped with a No. 10 ground wire. See next section for grounding instructions. **This unit should be fused separately.** **CAUTION:** Be sure the electrical power is off from the breaker box to the junction box until the unit is installed and ready to operate. The junction box should be located as shown in the drawing and connected to a suitable ground.

SPECIFICATIONS-ELECTRIC RANGETOP

Description	VERT301-4B					
Overall Width	29 7/8" (75.9 cm)					
Overall Height from Bottom	BASE HEIGHT		ADDITIONS TO BASE HEIGHT			
	To top of glass frame 7 7/8" (20.0 cm)		To top of island trim - add 1 1/4" (3.2 cm) To top of backguard - add 6" (15.2 cm) To top of high-shelf - add 23 1/2" (59.7 cm)			
Overall Depth from Rear	To edge of side panel -		24" (61.0 cm)			
	To end of control panel -		25 15/16" (65.9 cm)			
	To end of knobs -		27 7/16" (69.7 cm)			
Cutout Width	30" (76.2 cm)					
Cutout Height	7 1/2" (19.1 cm)					
Cutout Depth	24" (61.0 cm)					
Electrical Requirements	3-Wire, 240/208 VAC, 60 Hz, 40 amp electrical connection. Unit is equipped with No. 10 ground wire in conduit. Should be fused separately.					
Maximum Amps	400V/3N - 8.9 kw;					
Surface Element Rating		240V	208V		240V	208V
	Left Front	1500 watts	1125 watts	Right Front	1800 watts	1350 watts
	Left Rear	2400 watts	1800 watts	Bridge	800 watts	600 watts
				Right Rear	1800 watts	1350 watts
Approximate Shipping Weight	110 lbs. (49.5 kg)					

Minimum clearances from adjacent combustible construction

- Cooking surfaces and below (36"[91.4 cm] and below)
 - Sides- 0"
 - Rear- 0" with backguard or highshelf; 0" with island trim and non-combustible wall; 6" (15.2 cm) with island trim and combustible rear wall
 - Top grate support - 36" (91.4 cm)
- Above cooking surface (above 36"[91.4 cm])
 - Sides- 6" (15.2 cm)
 - Within 6" (15.2 cm) side clearance, wall cabinets no deeper than 13" (33.0 cm) must be minimum 18" (45.7 cm) above cooking surface.
 - Wall cabinets directly above product must be minimum 36" (91.4 cm) above cooking surface