

SPECIFICATIONS - ELECTRIC COOKTOP

DESCRIPTION	DECUi05 30" W. MODEL	DECUi65 36" W. MODEL	DECUi55 45" W. MODEL				
Cutout Width	Minimum	28 5/8" (72.7 cm)	34 3/4" (88.3 cm)	42 7/8" (108.9 cm)			
	Maximum	29 7/8" (75.9 cm)	35 7/8" (91.1 cm)	44 1/8" (112.1 cm)			
Cutout Height	Minimum 3 1/8" (7.9 cm)						
Cutout Height with Conduit	4 1/8" (10.5 cm)						
Cutout Depth	Minimum 19 3/4" (50.2 cm)						
	Maximum - 20 1/8" (51.1 cm)						
Overall Width	30 3/4" (78.1 cm)	36 3/4" (93.3 cm)	45" (114.3 cm)				
Overall Height from Bottom	4 1/2" (11.4 cm)						
Overall Depth from Rear	21" (53.3 cm)						
Electrical Requirements	240 - 208/120 VAC/60 Hz - 3-wire conduit with a No. 10 ground wire. Connect with locally supplied 3-wire with ground, flexible cord rated 60 amp 125-250 VAC minimum. Cord must be agency approved for use with household electric cooktops.						
Maximum Amp Usage	240V	8.4 kW; 35.0 amps	10.9 kW; 44.0 amps	11.8 kW; 49.0 amps			
	208V	6.3 kW; 30.0 amps	8.2 kW; 34.0 amps	8.9 kW; 43.0 amps			
Surface Element Rating	240V	208V	240V	208V	240V	208V	
	Right Front	1500	1125 watts	1500	1125 watts	1500	1125 watts
	Right Rear	2500	1875 watts	2200	1650 watts	2200	1650 watts
	Center Right	N/A	N/A	2500	1875 watts	1200	900 watts
	Center Left	N/A	N/A	N/A	N/A	2500	1875 watts
	Left Front	1800	1350 watts	1800	1350 watts	1800	1350 watts
	Bridge	800	600 watts	800	600 watts	800	600 watts
	Left Rear	1800	1350 watts	1800	1350 watts	1800	1350 watts
Approximate Shipping Weight	52 lb. (23.4 kg)		60 lb. (27.0 kg)		71 lb. (32.0 kg)		

ELECTRICAL REQUIREMENTS

Check your local codes regarding this unit. This cooktop is supplied with a 3-wire, A.C. 208/120 volt or 120/240 volt, 60 HZ electrical system. A white (neutral) is not needed for this unit. See next section for grounding instructions. It should be fused separately. **CAUTION:** Be sure the electric power is off from the breaker box to the junction box until the cooktop is installed and ready to operate. The junction box should be connected to a suitable ground. Do not use a GFI circuit.

Refer to the specifications chart for kilowatt rating and recommended amperage. House wiring and fusing must comply with local codes. If no local codes are applicable, wire in accordance with the National Electrical Code, ANSI/NFPA 70-latest edition.

ELECTRICAL CONNECTION

WARNING: The electrical power to the unit must be shut off while line connections are being made. Failure to do so could result in serious injury or death.

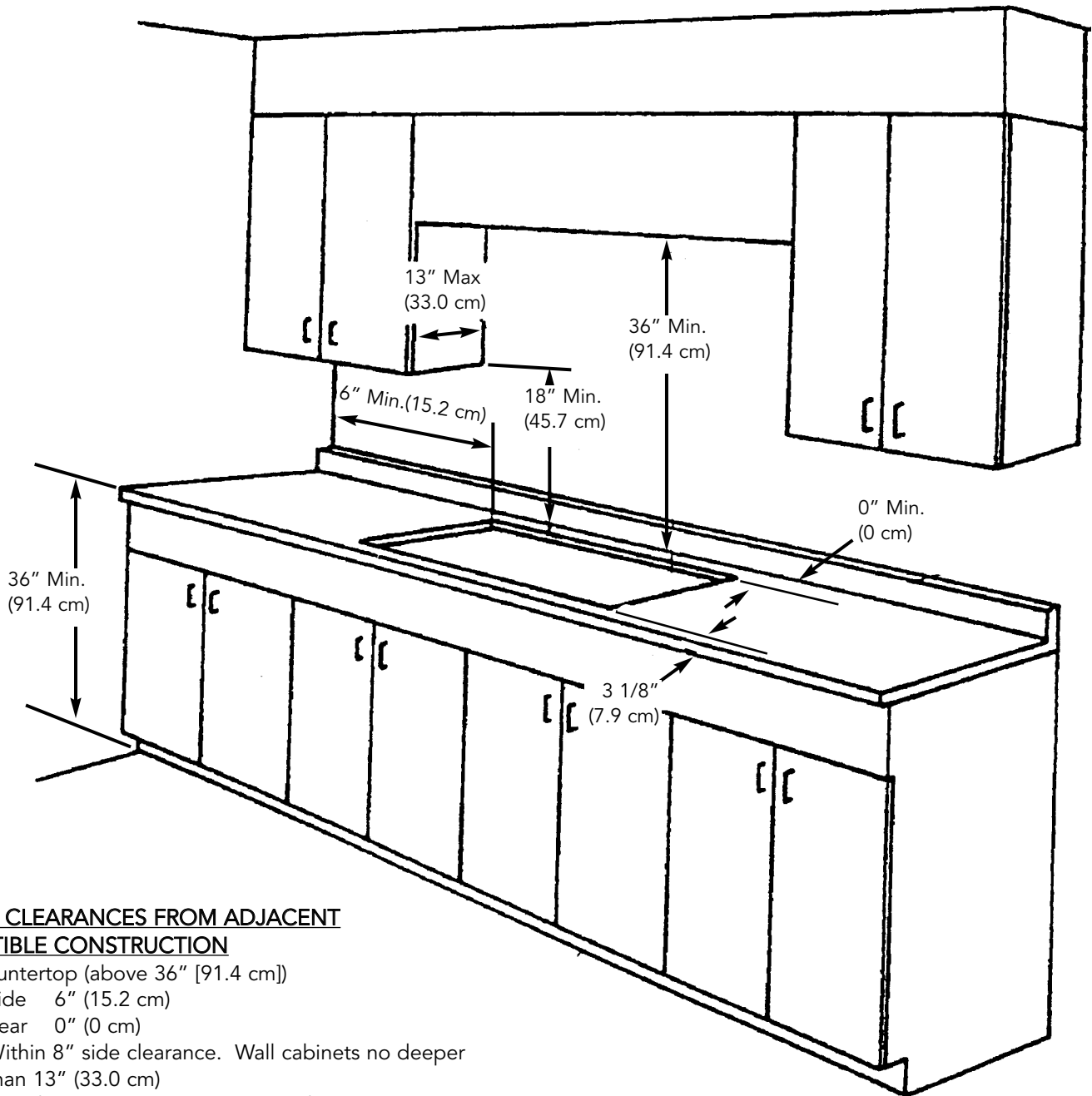
When making the wire connections, use the entire length of the conduit provided (3 feet). The conduit must not be cut. Connect the red and black leads from the unit conduit to the corresponding leads in the junction box. The green ground wire in the conduit is connected to the unit frame. When connecting to a 3-conductor branch circuit, if local codes permit, connect the green ground connector lead of the unit to the branch circuit neutral (gray or white in color).

DO NOT USE AN EXTENSION CORD WITH THIS APPLIANCE. SUCH USE MAY RESULT IN A FIRE, ELECTRICAL SHOCK OR OTHER PERSONAL INJURY.

PROXIMITY TO SIDE CABINET INSTALLATION

1. The cooktop may be installed directly to existing base cabinets.
2. The cooktop CANNOT be installed directly adjacent to sidewalls, tall cabinets, tall appliances, or other side vertical surfaces above 36" (91.4 cm) high. There must be a minimum of 6" (15.2 cm) side clearance from the cooktop to such combustible surfaces above the 36" (91.4 cm).
3. Within the 6" (15.2 cm) side clearance to combustible vertical surfaces above 36" (91.4 cm), the maximum wall cabinet depth must be 13" (33.0 cm) and wall cabinets within this 6" (15.2 cm) side clearance must be 18" (45.7 cm) above the 36" (91.4 cm) high countertop.
4. Wall cabinet above the cooktop must be a minimum of 36" (91.4 cm) above the countertop for a full width of the cooktop. This minimum height requirement does not apply if a rangehood is installed over the cooking surface.

NOTE: Refer to Installation of Hold Down Brackets on page 7 for minimum clearances under counter.



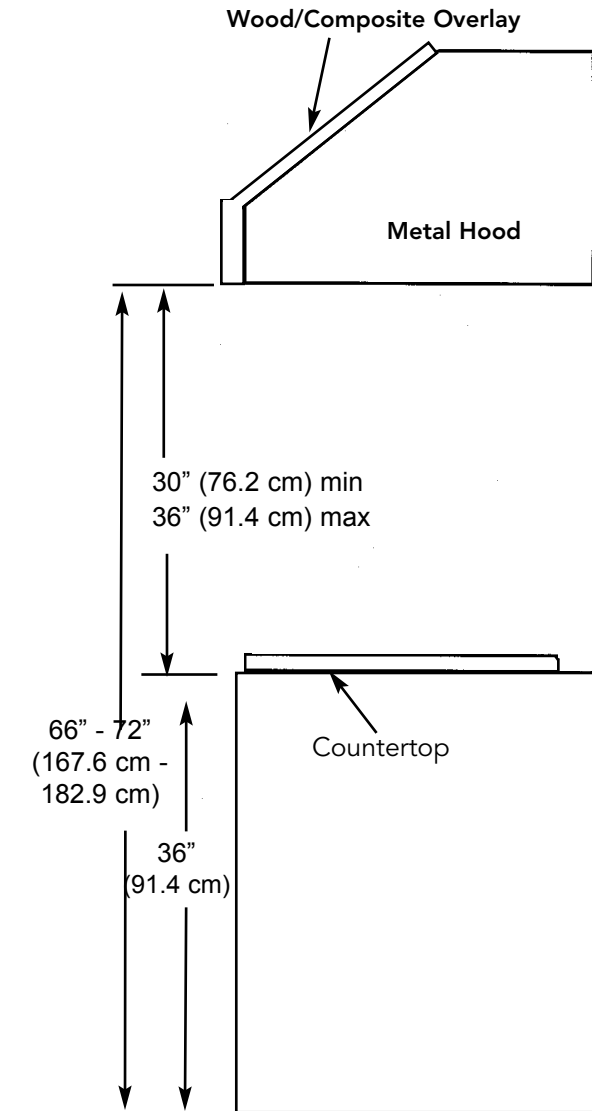
MINIMUM CLEARANCES FROM ADJACENT COMBUSTIBLE CONSTRUCTION

- Above countertop (above 36" [91.4 cm])
 - Side 6" (15.2 cm)
 - Rear 0" (0 cm)
 - Within 8" side clearance. Wall cabinets no deeper than 13" (33.0 cm)
 - Must be minimum 18" (45.7 cm) above countertop
 - Wall cabinets directly above the product must be minimum 36" (91.4 cm) above the countertop.

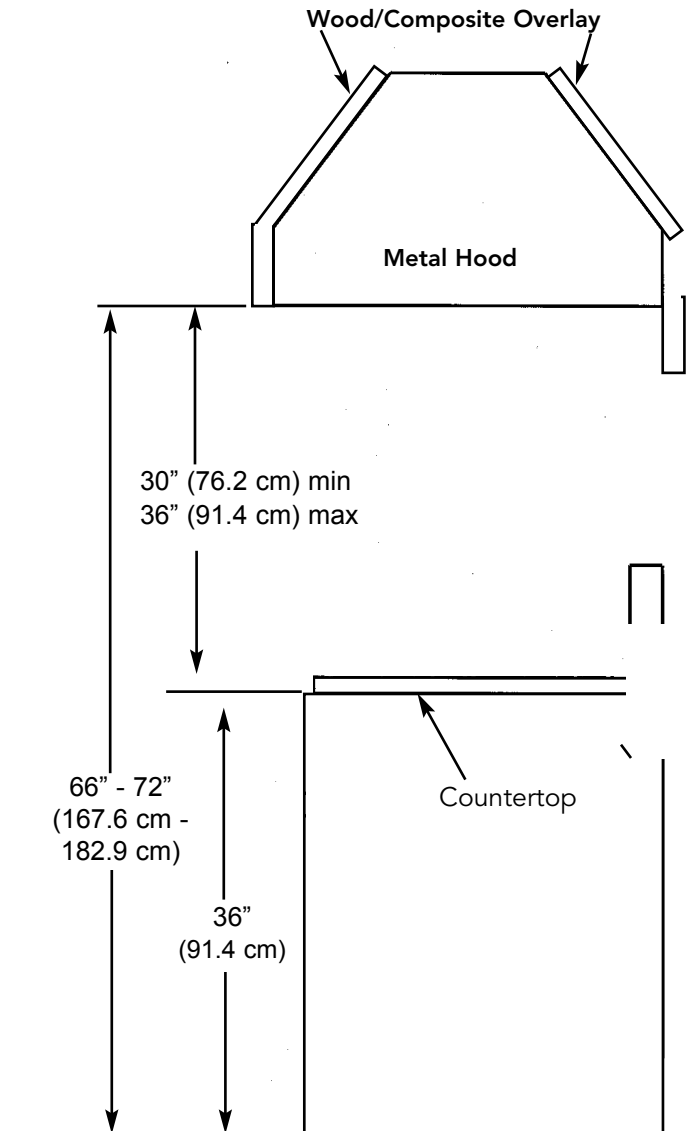
WOOD/COMPOSITE OVERLAY INSTALLATION

The bottom of the hood should be 30" (76.2 cm) min. to 36" (91.4 cm) max. above the countertop. This would typically result in the bottom of the hood being 66" (167.6 cm) to 72" (182.9 cm) above the floor. Refer to the rangehood installation instructions for further information. These dimensions provide for safe and efficient operation of the hood.

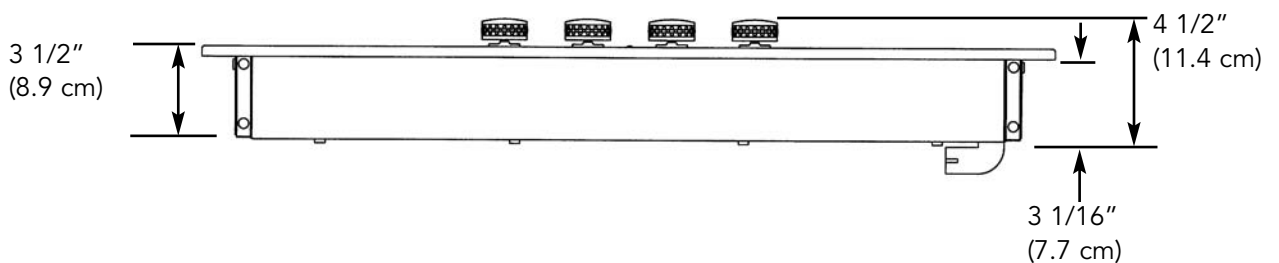
WALL INSTALLATION



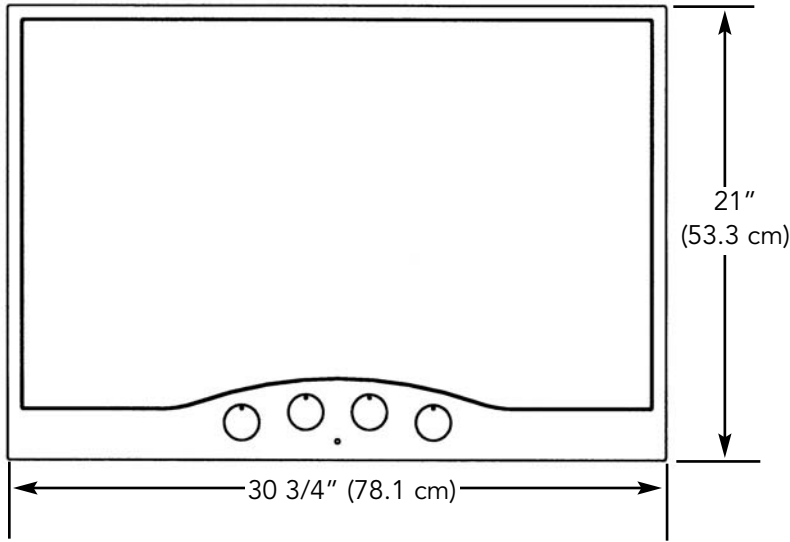
ISLAND INSTALLATION



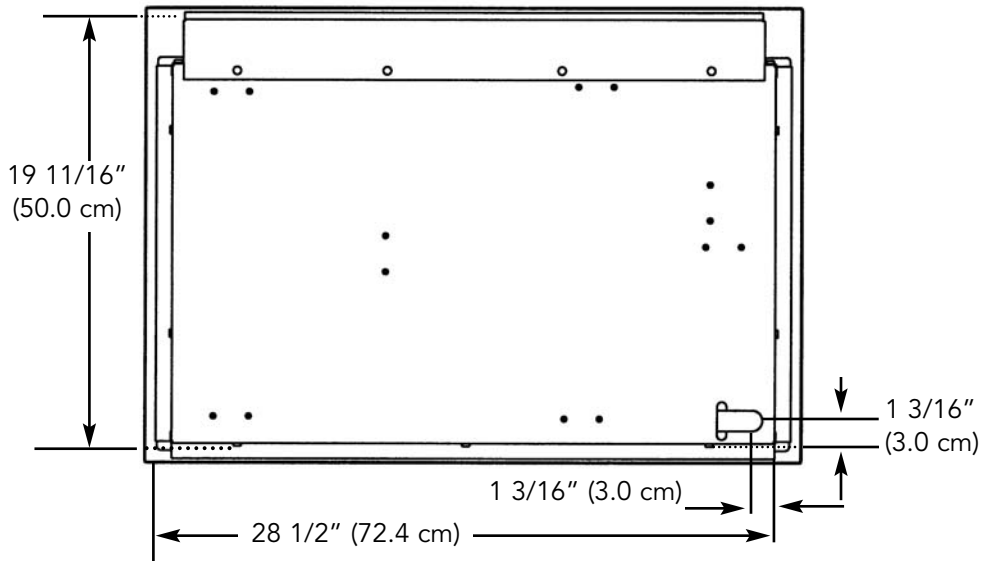
DIMENSIONS HEIGHT



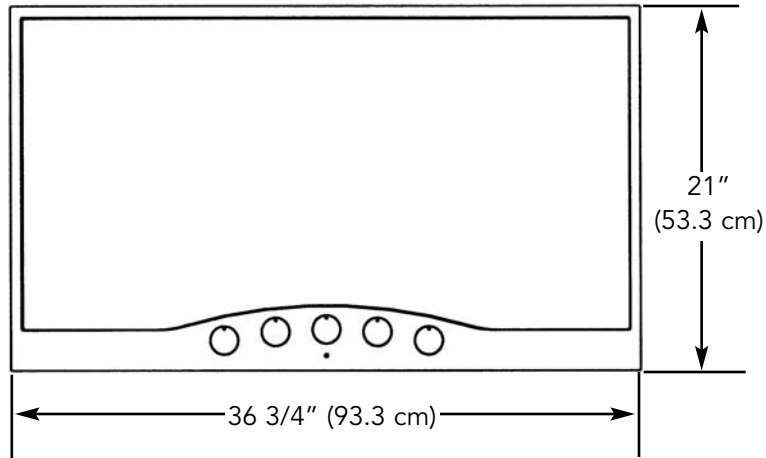
30" W. TOP



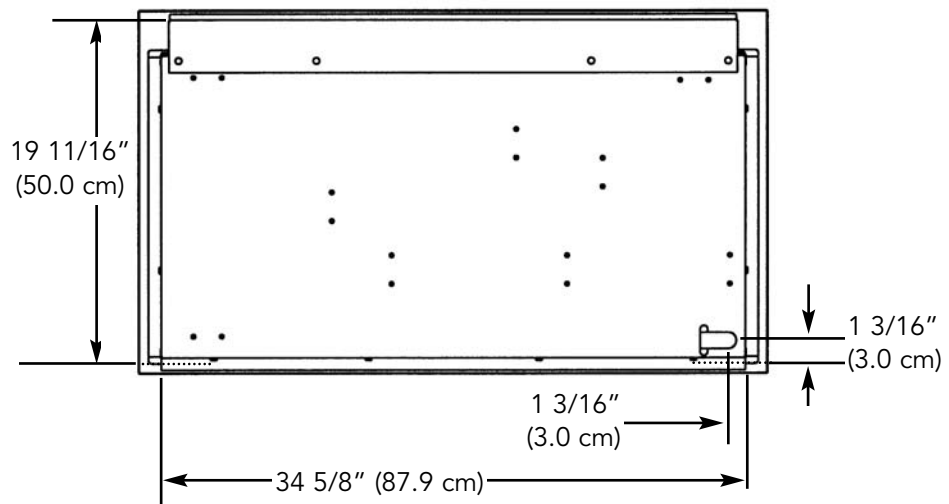
30" W. BURNER BOX



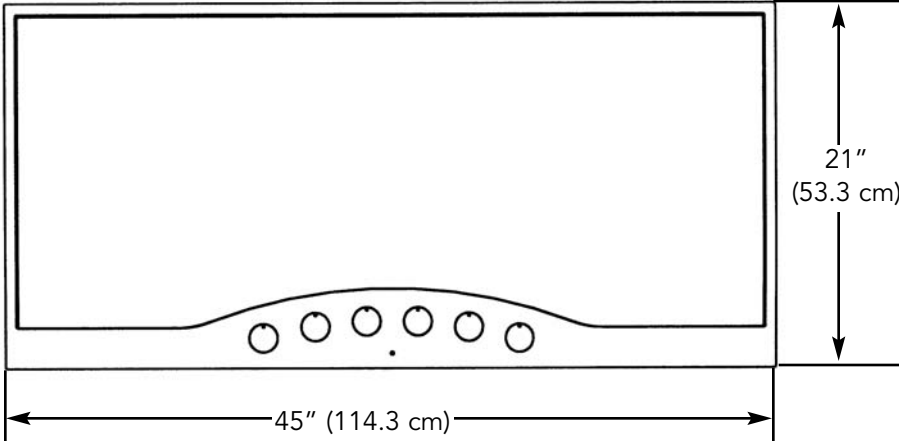
36" W. TOP



36" W. BURNER BOX



45" W. TOP



45" W. BURNER BOX

