



CONVECTION MICROWAVE HOOD

INSTALLATION INSTRUCTIONS

Please read all instructions thoroughly before installing the Convection Microwave Hood. Two people are recommended to install this product.

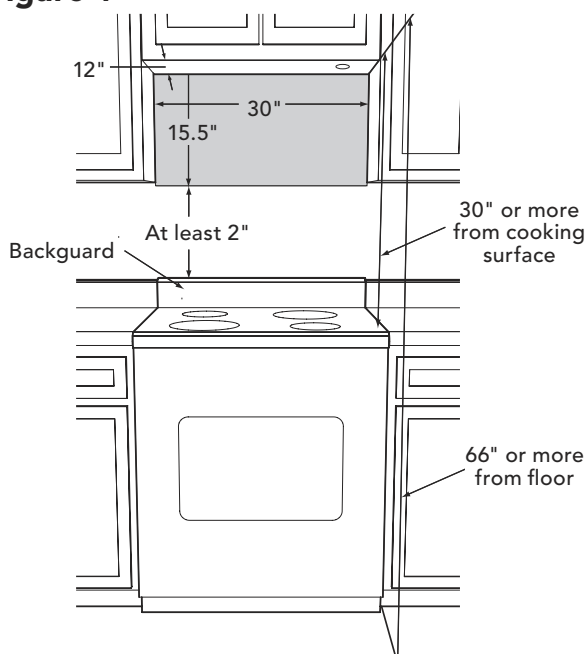
If a new electrical outlet is required, its installation should be completed by a qualified electrician before the Convection Microwave Hood is installed. See 3 ELECTRICAL GROUNDING INSTRUCTIONS on page 2.

1 MOUNTING SPACE

This Convection Microwave Hood requires a mounting space on a wall as shown in Figure 1. It is designed to be used with standard 12-inch wall cabinets.

For proper installation and servicing, a 2-inch space is necessary between the top of the range backguard and the bottom of the Convection Microwave Hood.

Figure 1



2 WALL CONSTRUCTION

This Convection Microwave Hood should be mounted against and supported by a flat vertical wall. The wall must be flat for proper installation. If the wall is not flat, use spacers to fill in the gaps. Wall construction should be a minimum of 2" x 4" wood studing and 3/8" or more thick dry wall or plaster/lath. The mounting surfaces must be capable of supporting a weight of 110 pounds—the oven and contents—AND the weight of all items which would normally be stored in the top cabinet above the unit.

The unit should be attached to a minimum of one 2" x 4" wall stud or two 2" x 3" wall studs.

To find the location of the studs, one of the following methods may be used:

- Use a stud finder, a magnetic device which locates the nails in the stud.
- Use a hammer to tap lightly across the mounting surface to find a solid sound. This will indicate stud location.

The center of the stud can be located by probing the wall with a small nail to find the edges of the stud and then placing a mark halfway between the edges. The center of any adjacent studs will normally be 16" or 24" to either side of this mark.