

## INITIAL IGNITION OF BURNERS

All cooktops are tested before leaving the factory. Field adjustments may be necessary for proper mixture of gas and air for proper operation. When the cooktop is connected to gas and electrical service, it should be adjusted by a qualified technician. If it is not, contact your dealer for the name of their authorized service agency in your area. Gas conversions and initial installation adjustments are not the responsibility of the manufacturer.

## FINAL PREPARATION

- a) New units are cleaned at the factory to remove any visible signs of dirt, oil, grease, etc. remaining from the manufacturing process. Some stainless steel parts may have a plastic protective wrapper which must be peeled off. The cooktop should be washed thoroughly with hot, soapy water and then rinsed and wiped dry to remove these film residues and any installation dust or debris before being used for food preparation.
- b) All stainless steel body parts should be wiped regularly with hot, soapy water and with a liquid cleanser designed for this material if build-up occurs. **DO NOT USE** steel wool, abrasive cloths, cleansers, or powders! If it is necessary to scrape stainless steel to remove encrusted material, soak with hot, wet cloths to loosen the material, then use a wood or nylon scraper. **DO NOT USE** a metal knife, spatula, or any other metal tool to scrape stainless steel! Scratches are almost impossible to remove.

## REPLACEMENT PARTS

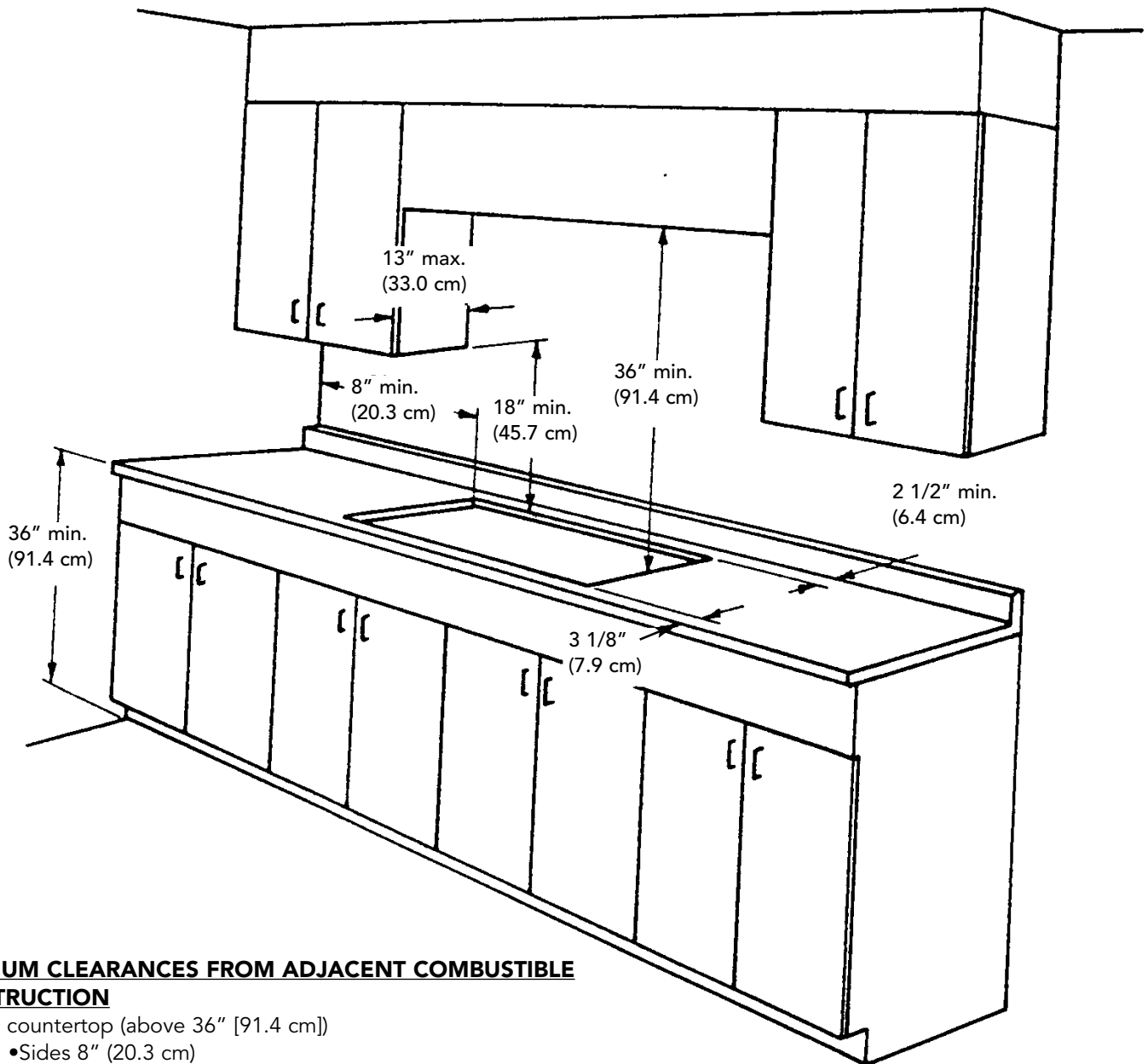
Only authorized replacement parts may be used in performing service on the cooktop. Replacement parts are available from factory authorized parts distributors. Contact Viking Range Corporation- Preferred Service at (662) 451-4133 for the nearest parts distributor in your area.

## SPECIFICATIONS

DESCRIPTION	DGSUI00 30" W. MODEL	DGSUI60 36" W. MODEL
Cutout Width - Minimum	29 1/8" (74.0 cm)	34 7/8" (88.6 cm)
Maximum	29 7/8" (75.9 cm)	35 7/8" (91.1 cm)
Cutout Height - Minimum	3 1/8" (7.9 cm)	
Cutout Depth - Minimum	19 3/4" (50.2 cm)	
Maximum	20 1/8" (51.1 cm)	
Overall Width	30 3/4" (78.1 cm)	36 3/4" (93.3 cm)
Overall Height from Bottom	4 3/8" (13.7 cm)	
Overall Depth from Rear	21" (53.3 cm)	
Gas Requirements	To field convert from natural to LP/Propane, the orifice spuds and regulator must be physically changed. You will need to order accessory kit DLPK. Accepts standard residential 1/2" (1.3 cm) I.D. gas service line.	
Electrical Requirements	120 VAC/60 Hz; 4 ft. (121.9 cm), 3-wire cord with grounded 3-prong plug attached to product.	
Maximum Amp Usage	2.0 amps	
Surface Burner Rating	Left Front- 14,000 Nat./13,500 LP (BTU) (4.1 Nat./4.0 LP [kw]) Left Rear- 12,000 Nat./11,500 LP (BTU) (3.5 Nat./2.8 LP [kw]) Right Rear- 8,000 Nat./LP (BTU) (2.1 Nat./LP [kw]) Right Front- 6,000 Nat./LP (BTU) (1.8 Nat./LP [kw])	Left Front- 12,000 Nat./11,500 LP (BTU) (3.5 Nat./2.8 LP [kw]) Left Rear- 10,000 Nat./LP (BTU) (2.9 Nat./LP [kw]) Center- 14,000 Nat./13,500 LP (BTU) (4.1 Nat./4.0 LP [kw]) Right Rear- 8,000 Nat./LP (BTU) (2.1 Nat./LP [kw]) Right Front- 6,000 Nat./LP (BTU) (1.8 Nat./LP [kw])
Approximate Shipping Weight	49 lb. (22.0 kg.)	74 lb. (33.3 kg)

## PROXIMITY TO SIDE CABINETS

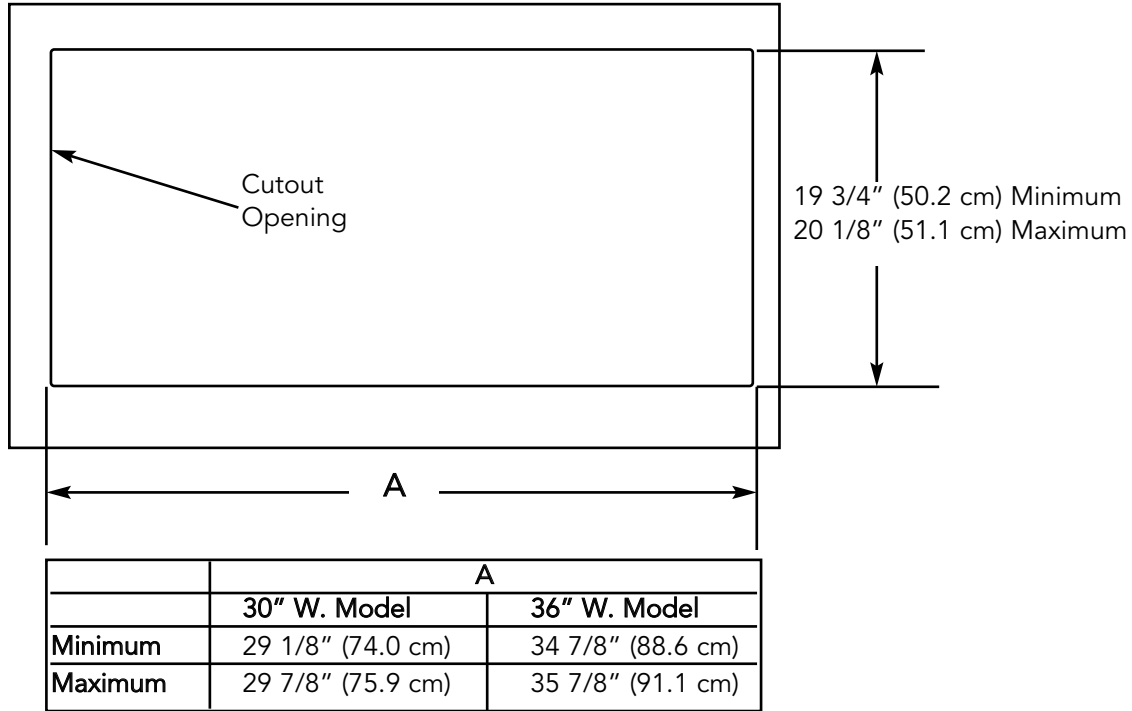
1. The cooktop may be installed directly to existing base cabinets.
2. The cooktop CANNOT be installed directly adjacent to sidewalls, tall cabinets, tall appliances, or other side vertical surfaces above 36" (91.4 cm) high. There must be a minimum of 8" (20.3 cm) side clearance from the cooktop to such combustible surfaces above the 36" (91.4 cm) counter height.
3. Within the 8" (20.3 cm) side clearance to combustible vertical surfaces above 36" (91.4 cm), the maximum wall cabinet depth must be 13" (33.0 cm) and wall cabinets within this 8" (20.3 cm) side clearance must be 18" (45.7 cm) above the 36" (91.4 cm) high countertop.
4. Wall cabinet above the cooktop must be a minimum of 36" (91.4 cm) above the cooking surface for a full width of the cooktop. This minimum height requirement does not apply if a rangehood is installed over the cooking surface.
5. A 120 volt wall receptacle should be located approximately 6" (15.2 cm) below the countertop cutout and 12" (30.5 cm) from the right side of the cutout.



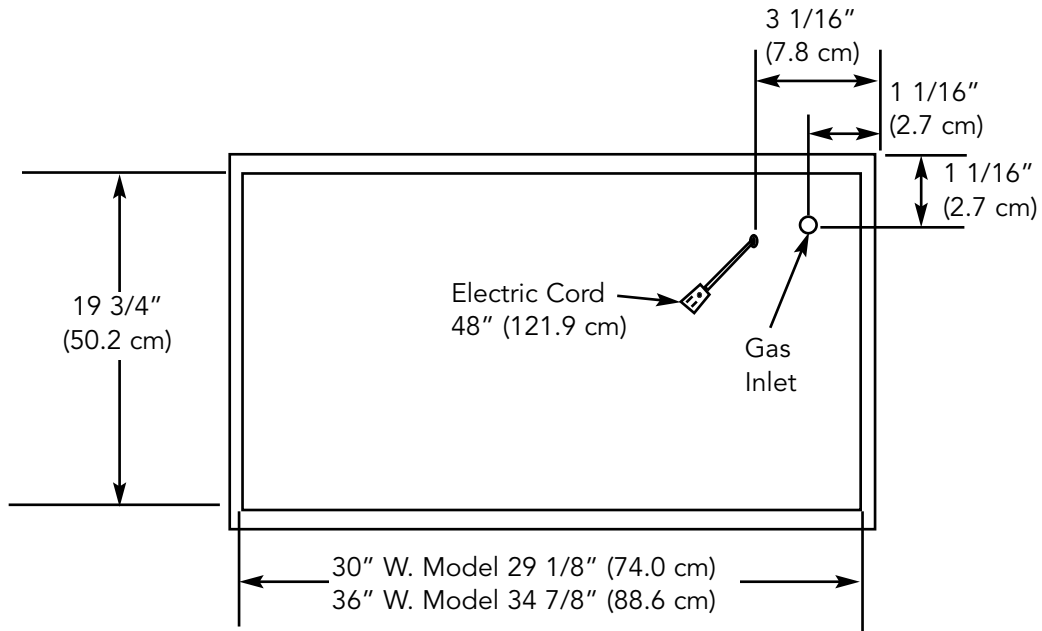
### **MINIMUM CLEARANCES FROM ADJACENT COMBUSTIBLE CONSTRUCTION**

- Above countertop (above 36" [91.4 cm])
  - Sides 8" (20.3 cm)
  - Rear 2 1/2" (6.4 cm)
  - Within 8" (20.3 cm) side clearance. Wall cabinets no deeper than 13" (33.0 cm)
  - Must be minimum 18" (45.7 cm) above countertop
  - Wall cabinets directly above the product must be minimum 36" (91.4 cm) above the countertop.

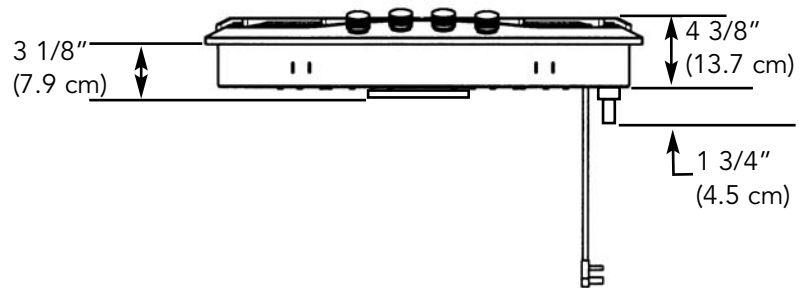
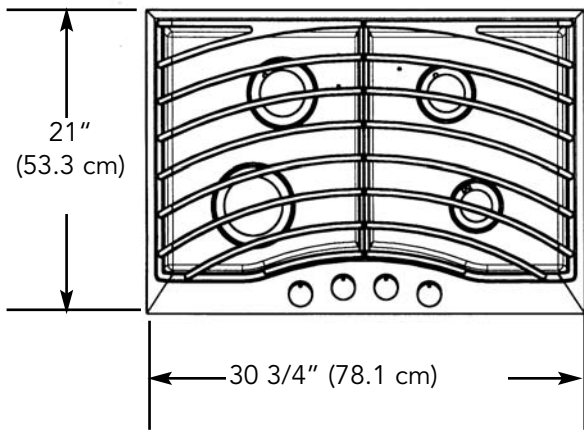
# MINIMUM / MAXIMUM CUTOUT DIMENSIONS



# BURNER BOX DIMENSIONS



### 30" W. MODEL DIMENSIONS



### 36" W. MODEL DIMENSIONS

