



# Professional Custom Series Freestanding Gas Self-Clean 30"/36"W. Sealed Burner Range



## Standard Features & Accessories

### All models include

- Large self-cleaning convection oven (see indiv. models for dimensions)
  - Three heavy-duty racks/six rack positions
  - Four halogen lights
  - **Exclusive** combination of U-shaped bake burner(s) and infrared broil burner, with electric spark ignition and "flame sensor" shut-off
- **Exclusive** VSH™ Pro Sealed Burner System (VariSimmer™ to High)—combination of patented burner and top design provide cleanability plus superior performance at simmer and high
- **Exclusive** VariSimmer™ setting for all burners
- **Exclusive** one-piece tooled and porcelainized cooking surface contains spills for easy cleaning
- Six functions—natural airflow bake, convection bake, infrared broil, convection infrared broil, convection dehydrate, and convection defrost
- Three heavy duty racks/six positions
- Four halogen oven lights
- Standard kickspace height
- Shipped with stainless steel island trim\*

### 30"W. 4B models include

- Convection oven capacity:
  - Overall capacity—4.0 cu. ft. (23"W. x 16-1/8"H. x 18-3/4"D.)
  - AHAM Standard capacity—3.3 cu. ft. (23"W. x 16-1/8"H. x 15-3/8"D.)
  - Single bake burner
- Four 15,000 BTU brass sealed burners with porcelain/cast iron caps and automatic ignition/re-ignition
- Center grate allows movement of cooking vessels across entire top surface
- Shipped with stainless steel island trim\*

### 36"W. models include

- Convection oven capacity:
  - Overall capacity—5.1 cu. ft. (29"W. x 16-1/8"H. x 18-3/4"D.)
  - AHAM Standard capacity—4.2 cu. ft. (29"W. x 16-1/8"H. x 15-3/8"D.)

### 36"W. 6B models include

- Dual bake burner
- **Exclusive** one PowerPlus™ 18,500 BTU burner (front right burner)
- Five 15,000 BTU brass sealed burners with porcelain/cast iron caps and automatic ignition/re-ignition

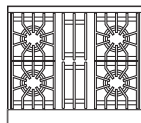
### 36"W. 4G models include

- Four 15,000 BTU brass sealed burners with porcelain/cast iron caps and automatic ignition/re-ignition
- 12"W. thermostatically controlled steel griddle/simmer plate
- Cast aluminum removable grease trough holds 2-1/2 cups of liquid

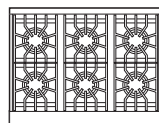
### 36"W. 4Q models include

- Four 15,000 BTU brass sealed burners with porcelain/cast iron caps and automatic ignition/re-ignition
- 12"W. grill with flavor generator plates and automatic ignition/re-ignition
- **Exclusive** two-piece removable porcelainized drip pan holds three quarts of liquid

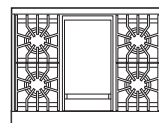
## Model Options



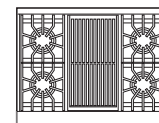
**VGSC530-4B\***  
30"W. Four-Burner Range



**VGSC536-6B\***  
36"W. Six-Burner Range



**VGSC536-4G\***  
36"W. Four-Burner/Griddle Range



**VGSC536-4Q\***  
36"W. Four-Burner/Grill Range

### FINISH DETAILS FOR ALL MODELS

- Stainless Steel (SS), Black (BK), White (WH), Metallic Silver (MS), Graphite Gray (GG), Stone Gray (SG), Taupe (TP), Biscuit (BT), Cotton White (CW), Oyster Gray (OG), Golden Mist (GM), Lemonade (LE), Sage (SA), Mint Julep (MJ), Sea Glass (SE), Iridescent Blue (IB), Viking Blue (VB), Pumpkin (PM), Racing Red (RR), Apple Red (AR), Burgundy (BU), Plum (PL), Chocolate (CH), and Cobalt Blue (CB).
  - Finish designates door front, lower front panel, and side panels.
- Has black porcelain grates, black porcelain burner caps, black porcelain grate supports/burner bowls, and black knobs/switches.
- White (WH)
  - Finish designates door front, lower front panel, side panels, porcelain grate supports/burner bowls, porcelain center worktop, and knobs/switches.
  - Has black porcelain grates and black porcelain burner caps.
- All finishes have stainless steel handle/chrome-plated brackets and stainless steel drip tray pull, control panel, and landing ledge.
- Brass Trim Option (BR)—nameplate, window trim, handle, drip tray pull, knob bezels, thermal-convection switch bezel, and grate support side trim. Brass components have a durable protective coating for maintenance-free normal use.

\*Shown throughout with island trim. See **Installation Notes & Accessories** for details.

### ORDERING INSTRUCTIONS

First specify model number, and then color code (VGSC530-4BSS). If ordering optional brass trim, specify code at end (VGSC530-4BSSBR). If ordering optional LP conversion, specify code at end (VGSC530-4BSSBRLP).





# COOKING

## Professional Custom Series Freestanding Gas Self-Clean 30"/36"W. Sealed Burner Range



★ Please see Installation Notes & Accessories for important installation information including backguard, high-shelf, island trim, and curb base front.



Star-K Kosher Certification for use on the Jewish Sabbath or Jewish holidays

### Dimensions & Specifications

#### PRODUCT DIMENSIONS & DOOR SWING



**VGSC530-4B\***  
30"W. Four-Burner Range



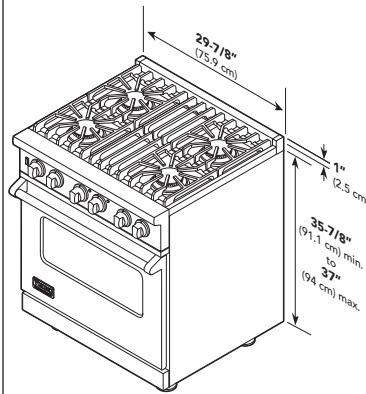
**VGSC536-6B\***  
36"W. Six-Burner Range



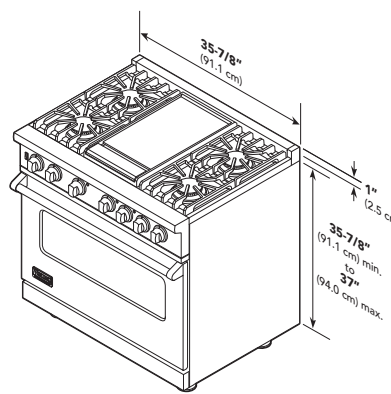
**VGSC536-4G\***  
36"W. Four-Burner/Griddle Range



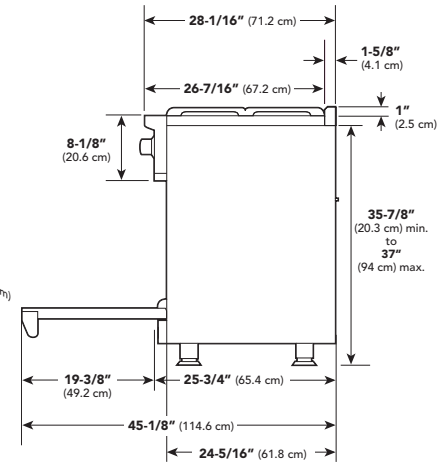
**VGSC536-4Q\***  
36"W. Four-Burner/Grill Range



**30"W. Models**



**36"W. Models**



**30" & 36"W. Models\***

\*Add 3/8" (1 cm) to overall depth for 30" VGSC models and 3/4" (1.9 cm) for 36" VGSC models installed against a combustible wall. A standoff is included on each VGSC model range and is required for installation against a combustible wall. These standoffs can be easily removed if installing against a non-combustible wall.

|  | <b>VGSC530-4B</b>                       | <b>VGSC536-6B</b>   | <b>VGSC536-4G</b>                       | <b>VGSC536-4Q</b>                       |
|--|---|---|---|---|
| Overall width                                | 29-7/8" (75.9 cm)                       | 35-7/8" (91.1 cm)   | 35-7/8" (91.1 cm)                       | 35-7/8" (91.1 cm)                       |
| Overall height                               |   |   |   |   |
| Base height                                  |   |   |   |   |
| To top of side trim                          |   | <b>35-7/8" (91.1 cm) min. to 37" (94.0 cm) max.</b>         |   |   |
| Legs adjust (with "spindles" fully extended) |   | <b>1-1/8" (2.9 cm)</b>                                      |   |   |
| Additions to base height                     |   |   |   |   |
| To top of island trim                        |   | <b>Add 1" (2.5 cm)</b>                                      |   |   |
| To top of 8" backguard                       |   | <b>Add 8" (20.3 cm)</b>                                     |   |   |
| To top of high-shelf                         |   | <b>Add 23-1/2" (59.7 cm)</b>                                |   |   |
| Overall depth (from rear)*                   |   |   |   |   |
| To end of side panel                         |   | <b>24-5/16" (61.8 cm)</b>                                   |   |   |
| To front of door                             |   | <b>25-3/4" (65.4 cm)</b>                                    |   |   |
| To end of landing edge                       |   | <b>28-1/16" (72.3 cm)</b>                                   |   |   |
| To end of door handle                        |   | <b>28-11/16" (72.9 cm)</b>                                  |   |   |
| Oven   |   |   |   |   |
| Interior width                               | 23" (58.4 cm)                           | 29" (73.7 cm)   | 29" (73.7 cm)                           | 29" (73.7 cm)                           |
| Interior height                              |   | <b>16-1/8" (41.0 cm)</b>                                    |   |   |
| Interior depth                               |   | <b>Overall - 18-3/4" (47.6 cm) AHAM - 15-3/8" (39.1 cm)</b> |   |   |
| Overall interior size                        | Overall 4.0 cu. ft.<br>AHAM 3.3 cu. ft. | Overall 5.1 cu. ft.<br>AHAM 4.2 cu. ft.                     | Overall 5.1 cu. ft.<br>AHAM 4.2 cu. ft. | Overall 5.1 cu. ft.<br>AHAM 4.2 cu. ft. |





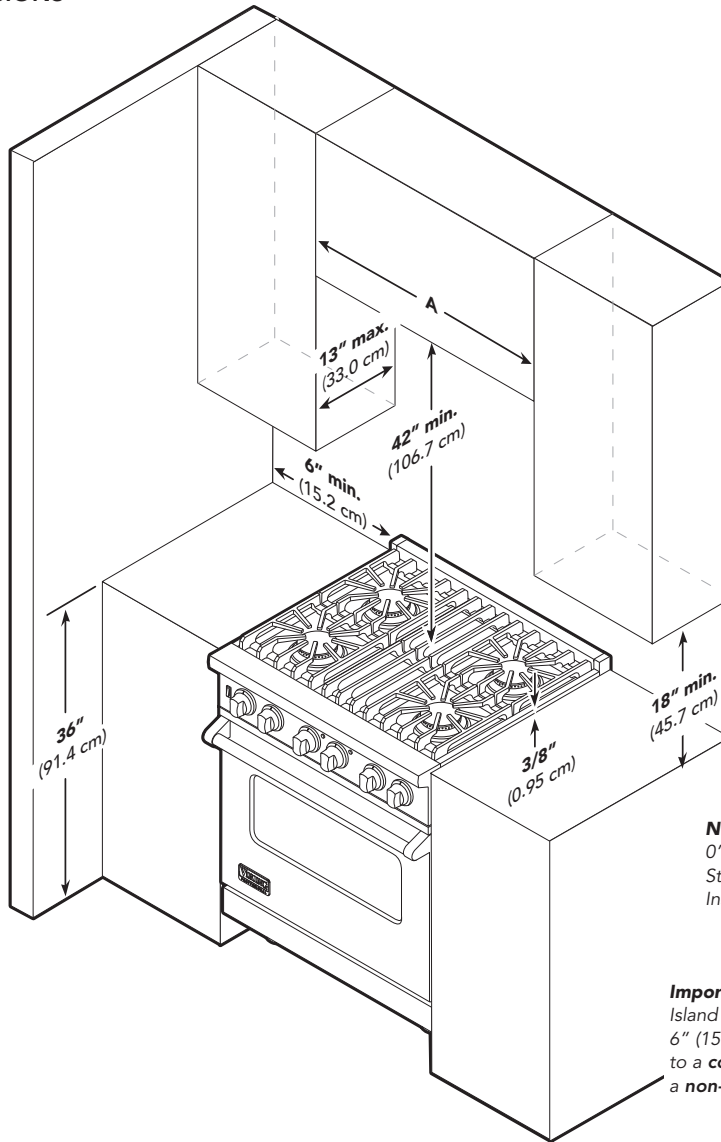
# COOKING

## Professional Custom Series Freestanding Gas Self-Clean 30"/36"W. Sealed Burner Range



### Dimensions & Specifications

#### CLEARANCE DIMENSIONS



**Note:** Minimum clearance for back wall is 0" with backguard or high-shelf. See Standoff Bracket Removal section in Installation Guide to allow 0" clearance.

**Important:** This range comes with an Island Trim. There must be a minimum of 6" (15.2 cm) clearance from rear of range to a **combustible** wall or 0" clearance to a **non-combustible** wall.

| A     |                   |
|-------|-------------------|
| 30"W. | 29-7/8" (75.9 cm) |
| 36"W. | 35-7/8" (91.1 cm) |

#### Minimum clearances from adjacent combustible construction

- Cooking surface and below, i.e., 36" (91.4 cm) and below
  - Sides—0"
  - Rear—0" with backguard or high-shelf; 0" with island trim and non-combustible rear wall; 6" (15.2 cm) with island trim and combustible rear wall
  - Top grate support—36" (91.4 cm)
- Above cooking surface, i.e., above 36" (91.4 cm)
  - Sides—6" (15.2 cm)
  - Within 6" (15.2 cm) side clearance, wall cabinets no deeper than 13" (33.0 cm) must be minimum 18" (45.7 cm) above cooking surface

- Wall cabinets directly above product must be minimum 42" (106.7 cm) for sealed top burners above cooking surface
- Use range only with factory supplied legs
  1. This range may be installed directly adjacent to existing 36" (91.4 cm) high base cabinets. **Important:** The top grate support **must** be 3/8" (0.95 cm) above the adjacent base cabinet countertop. This may be accomplished by raising the unit using the adjustment spindles on the legs.
  2. The range **cannot** be installed directly adjacent to sidewalls, tall cabinets, tall appliances, or other side vertical surfaces above 36" (91.4 cm) high.

- There must be a minimum of 6" (15.2 cm) side clearance from the range to such combustible surfaces above the 36" (91.4 cm) counter height.
3. Within the 6" (15.2 cm) side clearance to combustible vertical surfaces above 36" (91.4 cm), the maximum wall cabinet depth must be 13" (33.0 cm) and wall cabinets within this 6" (15.2 cm) side clearance must be 18" (45.7 cm) above the 36" (91.4 cm) high countertop.
  4. Wall cabinets above the range must be a minimum of 42" (106.7 cm) above the range cooking surface for the full width of the range. This minimum height requirement does not apply if a rangehood is installed over the cooking surface.





# COOKING

## Professional Custom Series Freestanding Gas Self-Clean 30"/36"W. Sealed Burner Range



### UTILITY REQUIREMENTS



#### GAS

- Shipped natural gas standard; field convert to LP/propane with optional accessory kit or order as LP by adding LP after color code
- Accepts standard residential 1/2" ID gas service line
- Gas manifold pressure
  - o Natural gas 5.0" W.C.P.
  - o LP/Propane 10.0" W.C.P.



#### ELECTRICAL

- Four-foot (121.9 cm) cord included with range
- Three-wire with ground/three-prong plug
- 120 V/60 Hz
- Maximum amp usage—
  - o 30"W. 4B—0.83
  - o 36"W. 6B—1.5
  - o 36"W. 4G—1.5
  - o 36"W. 4Q—1.5



#### PLUMBING

Not applicable

## Installation Requirements

### ACCESS REQUIREMENTS



**VGSC530-4B\***  
30"W. Four-Burner Range



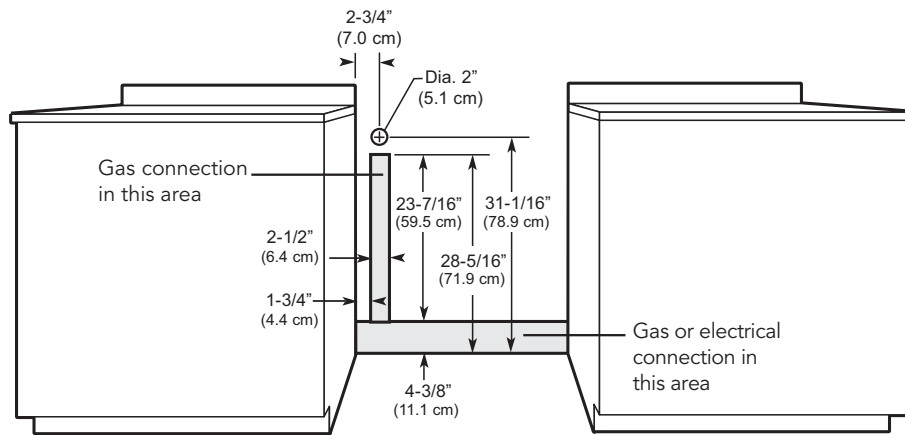
**VGSC536-6B\***  
36"W. Six-Burner Range



**VGSC536-4G\***  
36"W. Four-Burner/Griddle Range



**VGSC536-4Q\***  
36"W. Four-Burner/Grill Range



**Note:** Ground plug and electrical wire toward the direction of the electrical outlet.

|                               | <b>VGSC530-4B</b>                                      | <b>VGSC536-6B</b>  | <b>VGSC536-4G</b>                                   | <b>VGSC536-4Q</b>                                   |
|-------------------------------|--|--|---|---|
| Surface burner rating         |  |  |   |   |
| Surface burners               | 15,000 BTU Nat. (4.4 kW)/<br>12,500 BTU LP (3.7 kW)    |  | 15,000 BTU Nat. (4.4 kW)/<br>12,500 BTU LP (3.7 kW) | 15,000 BTU Nat. (4.4 kW)/<br>12,500 BTU LP (3.7 kW) |
| Surface burners (front right) |  | 18,500 BTU Nat. (5.4 kW)/<br>16,600 BTU LP (4.9 kW)<br>15,000 BTU Nat. (4.4 kW)/<br>12,500 BTU LP (3.7 kW) |   |   |
| One griddle                   |  |  | 15,000 BTU Nat. (4.4 kW)/<br>12,500 BTU LP (3.7 kW) |   |
| One grill                     |  |  |   | 18,000 BTU Nat. (5.3 kW)/<br>16,000 BTU LP (4.7 kW) |
| Broil burner rating           | <b>18,000 BTU Nat. (5.3 kW)/16,000 BTU LP (4.7 kW)</b> |  |   |   |
| Bake burner rating            | <b>30,000 BTU Nat./LP (8.8 kW)</b>                     |  |   |   |





# COOKING

## Professional Custom Series Freestanding Gas Self-Clean 30"/36"W. Sealed Burner Range



### ✦ Installation Notes & Accessories

A backguard, high-shelf, or island trim must be used for all installations.

#### Island Trim

- Stainless Steel (SS)
- Coordinates with all finishes
- For island/peninsula installation
- Can replace backguard if wall is non-combustible
- Included and shipped automatically with 30"W. and 36"W. ranges.

| Model  | Description     | Approx. ship wt. lbs. (kg) |
|--------|-----------------|----------------------------|
| P30BG8 | 30"W. backguard | 14 (6.3)                   |
| P36BG8 | 36"W. backguard | 17 (7.7)                   |

#### 8"H. Backguard

- Stainless Steel (SS)
- Coordinates with all finishes

| Model   | Description      | Approx. ship wt. lbs. (kg) |
|---------|------------------|----------------------------|
| B30HS24 | 30"W. high-shelf | 45 (20.3)                  |
| B36HS24 | 36"W. high-shelf | 50 (22.5)                  |

#### High-shelf

- Stainless Steel (SS)
- Coordinates with all finishes
- Shelf comes attached to a 24"H. backguard

| Model  | Description       | Approx. ship wt. lbs. (kg) |
|--------|-------------------|----------------------------|
| P30TII | 30"W. island trim | 10 (4.5)                   |
| P36TII | 36"W. island trim | 11 (5.0)                   |

#### Countertop Side Trim

- Stainless Steel (SS)
- Coordinates with all finishes
- One pair of trim
- Installs on side of unit; overlaps countertop

| Model  | Description     | Approx. ship wt. lbs. (kg) |
|--------|-----------------|----------------------------|
| P24CST | 24"D. side trim | 2 (0.9)                    |





# COOKING

## Professional Custom Series Freestanding Gas Self-Clean 30"/36"W. Sealed Burner Range



### ✦ Installation Notes & Accessories

#### Curb Base Front

- Stainless Steel (SS)
- Coordinates with all finishes
- Front only
- Conceals range legs
- Completely assembled
- Easily clips onto range legs after range is installed

#### Custom Curb Base Front

- Remove stainless steel front and recycle
- Conceals range legs
- Attach locally supplied trim
- Completely assembled
- Easily clips onto range legs after range is installed
- Provides drop-in range look

| Model   | Description           | Approx. ship wt. lbs. (kg) |
|---------|-----------------------|----------------------------|
| P30CBF4 | 30"W. curb base front | 9 (4.1)                    |
| P36CBF4 | 36"W. curb base front | 10 (4.5)                   |

#### LP/Propane Conversion Kit

- Allows for field conversion of range from natural gas to LP

| Model  | Description                          | Approx. ship wt. lbs. (kg) |
|--------|--------------------------------------|----------------------------|
| LPKPDF | Natural to LP/propane conversion kit | 2 (0.9)                    |

### Compliance Information



### WARRANTY INFORMATION\*

- One-year full warranty—complete product
- Ten-year limited warranty—porcelain oven and porcelain inner door panel
- Five-year limited warranty—surface burners, griddle burners, grill burners, and oven burner
- Ninety-day limited warranty—cosmetic parts such as glass, painted, and decorative items

\* For complete warranty see *Use & Care Guide*. Warranty valid on Viking products shipped within the United States and Canada.

