



# COOKING

## Professional Custom Series Freestanding Gas Self-Clean 30"W. Sealed Burner Range

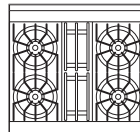


### Standard Features & Accessories

#### All models include

- **Exclusive** VSH™ Pro Sealed Burner System (VariSimmer™ to High)—combination of unique patented burner and top design provide cleanability plus superior performance at simmer and high
- **Exclusive** SureSpark™ Ignition System for all burners
- **Exclusive** VariSimmer™ setting for all burners
- **Exclusive** one-piece tooled and porcelainized cooking surface contains spills for easy cleaning
- **Exclusive** combination of single u-shaped bake burners and infrared broil burner, all with electric spark ignition
- Six functions—natural airflow bake, convection bake, infrared broil, convection infrared broil, convection dehydrate, and convection defrost
- Standard kickspace height
- Extremely large self-clean convection oven
  - o Overall capacity—4.0 cu. ft. (23"W. x 16-1/8"H. x 18-3/4"D.)
  - o AHAM Standard—3.3 cu. ft. (23"W. x 16-1/8"H. x 15-3/8"D.)
  - o Three heavy-duty racks/six positions
  - o Four halogen lights
- Four 15,000 BTU brass sealed burners with porcelain/cast iron caps and automatic ignition/re-ignition
- Center grate allows movement of cooking vessels across entire top surface
- Shipped with 8"H. stainless steel backguard\*

### Model Options



**VGSC530-4B\***  
**30"W. Four-Burner  
Range**

#### FINISH DETAILS FOR ALL MODELS

- Stainless Steel (SS), Black (BK), White (WH), Metallic Silver (MS), Graphite Gray (GG), Stone Gray (SG), Taupe (TP), Biscuit (BT), Cotton White (CW), Oyster Gray (OG), Golden Mist (GM), Lemonade (LE), Sage (SA), Mint Julep (MJ), Sea Glass (SE), Iridescent Blue (IB), Viking Blue (VB), Pumpkin (PM), Racing Red (RR), Apple Red (AR), Burgundy (BU), Plum (PL), Chocolate (CH), and Cobalt Blue (CB).
  - o Finish designates door front, lower front panel, and side panels.
  - o Has black porcelain grates, black porcelain burner caps, black porcelain grate supports/burner bowls, and black knobs/switches.
- White (WH)
  - o Finish designates door front, lower front panel, side panels, porcelain grate supports/burner bowls, porcelain center worktop, and knobs/switches.
  - o Has black porcelain grates and black porcelain burner caps.
- All finishes have stainless steel handle/chrome-plated brackets and stainless steel drip tray pull, control panel, and landing ledge.
- Brass Trim Option (BR)—nameplate, window trim, handle, drip tray pull, knob bezels, thermal-convection switch bezel, and grate support side trim. Brass components have a durable protective coating for maintenance-free normal use.

\*Shown throughout with 8"H. backguard. See **Installation Notes & Accessories** for details.

#### ORDERING INSTRUCTIONS

First specify model number, and then color code (VGCC530-4BSS). If ordering optional brass trim, specify code at end (VGCC530-4BSSBR). If ordering optional LP conversion, specify code at end (VGCC530-4BSSBRPLP).





# COOKING

## Professional Custom Series Freestanding Gas Self-Clean 30"W. Sealed Burner Range



★ Please see  
Installation Notes &  
Accessories  
for important  
installation  
information  
including  
backguard, high-  
shelf, island trim,  
and curb base front.



ALL MODELS

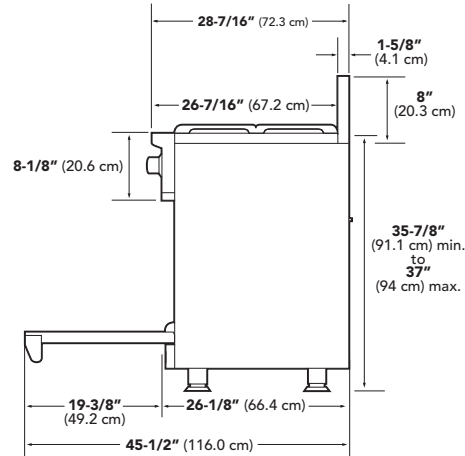
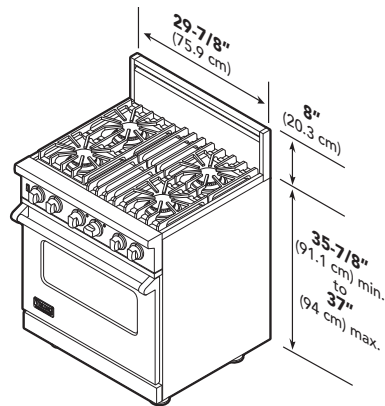
Star-K Kosher  
Certification for  
use on the Jewish  
Sabbath or Jewish  
holidays

### Dimensions & Specifications

#### PRODUCT DIMENSIONS & DOOR SWING



**VGSC530-4B**  
30"W. Four-Burner  
Range



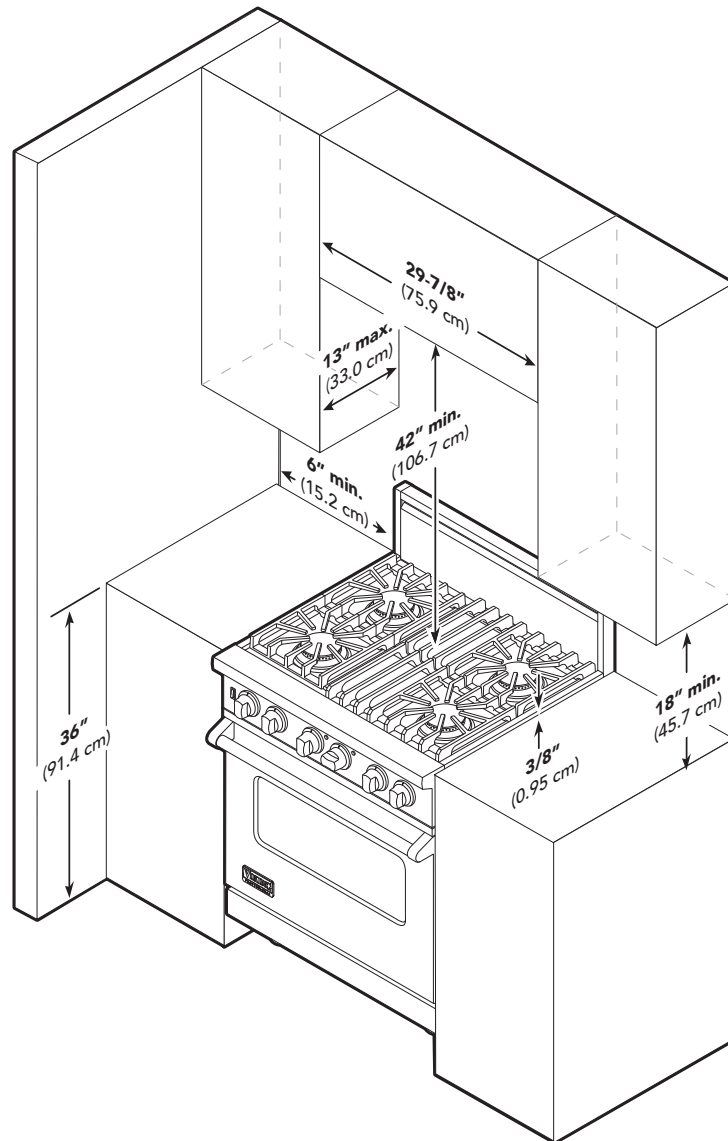
<b>VGSC530-4B</b>	
Overall width	<b>29-7/8" (75.9 cm)</b>
Overall height	
Base height	
To top of grate support	<b>35-7/8" (91.1 cm) min. to 37" (94 cm) max.</b>
Legs adjust (with "spindles" fully extended)	<b>1-1/8" (2.9 cm)</b>
Additions to base height	
To top of island trim	<b>Add 1" (2.5 cm)</b>
To top of 8" backguard	<b>Add 8" (20.3 cm)</b>
To top of high shelf	<b>Add 23-1/2" (59.7 cm)</b>
Overall depth (from rear)	
To end of side panel	<b>25-3/4" (65.4 cm)</b>
To end of landing edge	<b>28-7/16" (72.3 cm)</b>
To end of door handle	<b>28-3/8" (72.0 cm)</b>
Oven	
Interior width	<b>23" (58.4 cm)</b>
Interior height	<b>16-1/8" (41.0 cm)</b>
Interior depth	<b>15-3/8" (39.0 cm)</b>
Overall interior size - AHAM	<b>3.3 cu. ft.</b>





### Dimensions & Specifications

#### CLEARANCE DIMENSIONS



#### Minimum clearances from adjacent combustible construction

- Cooking surface and below, i.e., 36" (91.4 cm) and below
  - o Sides—0"
  - o Rear—0" with backguard or high shelf; 0" with island trim and non-combustible rear wall; 6" (15.2 cm) with island trim and combustible rear wall
  - o Top grate support—36" (91.4 cm)
  - o VGSC gas self-clean ranges include standoff brackets which provide a 3/8" barrier between back of range and rear wall. These must be in place for adequate ventilation. The standoff brackets may only be removed if range is installed against a non-combustible wall.
- Above cooking surface, i.e., above 36" (91.4 cm)
  - o Sides—6" (15.2 cm)

- o Within 6" (15.2 cm) side clearance, wall cabinets no deeper than 13" (33.0 cm) must be minimum 18" (45.7 cm) above cooking surface
  - o Wall cabinets directly above product must be minimum 42" (106.7 cm) for sealed top burners above cooking surface
- Use range only with factory supplied legs
1. This range may be installed directly adjacent to existing 36" (91.4 cm) high base cabinets. **Important:** The top grate support **must** be 3/8" (0.95 cm) above the adjacent base cabinet countertop. This may be accomplished by raising the unit using the adjustment spindles on the legs.
  2. The range **cannot** be installed directly adjacent to sidewalls, tall cabinets, tall appliances, or other side vertical

surfaces above 36" (91.4 cm) high. There must be a minimum of 6" (15.2 cm) side clearance from the range to such combustible surfaces above the 36" (91.4 cm) counter height.

3. Within the 6" (15.2 cm) side clearance to combustible vertical surfaces above 36" (91.4 cm), the maximum wall cabinet depth must be 13" (33.0 cm) and wall cabinets within this 6" (15.2 cm) side clearance must be 18" (45.7 cm) above the 36" (91.4 cm) high countertop.
4. Wall cabinets above the range must be a minimum of 42" (106.7 cm) above the range cooking surface for the full width of the range. This minimum height requirement does not apply if a rangehood is installed over the cooking surface.



# COOKING

## Professional Custom Series Freestanding Gas Self-Clean 30"W. Sealed Burner Range



### UTILITY REQUIREMENTS



#### GAS

- Shipped natural gas standard; field convert to LP/propane with optional accessory kit or order as LP by adding LP after color code
- Accepts standard residential 1/2" ID gas service line
- Gas manifold pressure
  - Natural gas 5.0" W.C.P.
  - LP/Propane 10.0" W.C.P.



#### ELECTRICAL

- Four-foot (121.9 cm) cord included with range
- Three-wire with ground/three-prong plug
- 120 V/60 Hz
- Maximum amp usage—
  - 30"W. 4B—83



#### PLUMBING

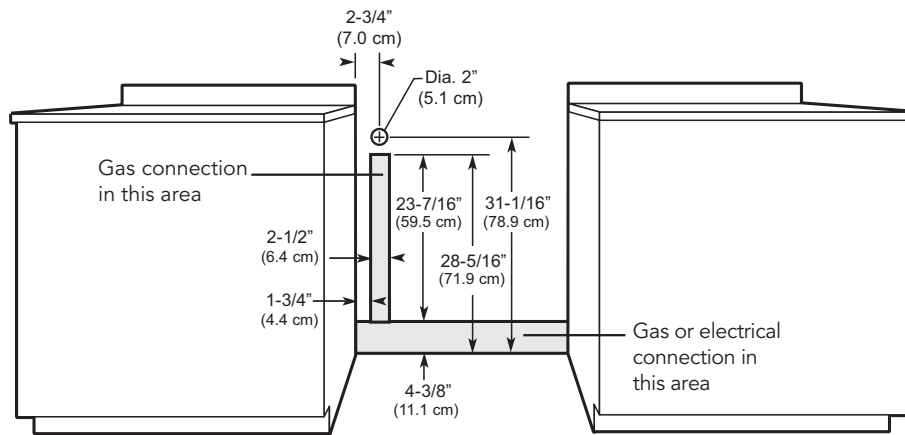
Not applicable

## Installation Requirements

### ACCESS REQUIREMENTS



**VGSC530-4B**  
30"W. Four-Burner Range



**Note:** Ground plug and electrical wire toward the direction of the electrical outlet.

### VGCC530-4B

Surface burner rating

Four grated burners (each)

**12,500 BTU Nat. (4.4 kW)/12,500 BTU LP (3.7 kW)**

Broil burner rating

**18,000 BTU Nat. (5.3 kW)/16,000 BTU LP (4.7 kW)**

Bake burner rating

**30,000 BTU Nat./LP (8.8 kW)**





# COOKING

## Professional Custom Series Freestanding Gas Self-Clean 30"W. Sealed Burner Range



### ✦ Installation Notes & Accessories

A backguard, high-shelf, or island trim must be used for all installations.

#### 8"H. Backguard

- Stainless Steel (SS)
- Coordinates with all finishes
- Included (and shipped) automatically with 30"W. ranges, but not with 36"W. ranges.

Model	Description	Approx. ship wt. lbs. (kg)
P30BG8	30"W. backguard	14 (6.3)

#### High-shelf

- Stainless Steel (SS)
- Coordinates with all finishes
- Shelf comes attached to a 24"H. backguard

Model	Description	Approx. ship wt. lbs. (kg)
B30HS24	30"W. high-shelf	45 (20.3)

#### Island Trim

- Stainless Steel (SS)
- Coordinates with all finishes
- For island/peninsula installation
- Can replace backguard if wall is non-combustible

Model	Description	Approx. ship wt. lbs. (kg)
P30TII	30"W. island trim	10 (4.5)

#### Countertop Side Trim

- Stainless Steel (SS)
- Coordinates with all finishes
- One pair of trim
- Installs on side of unit; overlaps countertop

Model	Description	Approx. ship wt. lbs. (kg)
P24CST	24"D. side trim	2 (0.9)





# COOKING

## Professional Custom Series Freestanding Gas Self-Clean 30"W. Sealed Burner Range



### ✦ Installation Notes & Accessories

#### Curb Base Front

- Stainless Steel (SS)
- Coordinates with all finishes
- Front only
- Conceals range legs
- Completely assembled
- Easily clips onto range legs after range is installed

#### Custom Curb Base Front

- Remove stainless steel front and recycle
- Conceals range legs
- Attach locally supplied trim
- Completely assembled
- Easily clips onto range legs after range is installed
- Provides drop-in range look

Model	Description	Approx. ship wt. lbs. (kg)
P30CBF4	30"W. curb base front	9 (4.1)

#### LP/Propane Conversion Kit

- Allows for field conversion of range from natural gas to LP

Model	Description	Approx. ship wt. lbs. (kg)
LPKPDF	Natural to LP/propane conversion kit	2 (0.9)

### Compliance Information



#### WARRANTY INFORMATION\*

- One-year full warranty—complete product
- Ten-year limited warranty—porcelain oven and porcelain inner door panel
- Five-year limited warranty—surface burners, griddle burners, grill burners, and oven burner
- Ninety-day limited warranty—cosmetic parts such as glass, painted, and decorative items

\* For complete warranty see *Use & Care Guide*. Warranty valid on Viking products shipped within the United States and Canada.

