



PROFESSIONAL GRILLS

CULTURED CUISINE. INSPIRED LIVING.

Your home is the ultimate expression of who you are, which is why your landscape should be as well-appointed, warm and inviting as the interior. For more than three decades, Lynx has been the model of engineering excellence. We've serviced the most discerning clients in the hospitality industry, including resorts, restaurants and theme parks with stainless steel products specifically engineered to withstand the intense demands of commercial use. Lynx's complete line of outdoor kitchen products combines advanced proprietary technologies and refined features that you can use to design your own outdoor cooking center.



PROSEAR™ TECHNOLOGY

Our exclusive configuration of ceramic infrared burners and multi-position valves provides exacting control. Offering extreme temperature ranges from the high-intensity heat needed for searing meats to the gentle temperatures required for seafood.



ALL WELDED CONSTRUCTION

Heliarc welded construction and rigorous testing ensure the highest level of structural integrity, and seamless hand-polished edges create our signature finish.



RED BRASS BURNER

Our unique commercial burner design radiates heat through a network of ceramic briquettes. This system ensures that heat is evenly distributed across the entire grilling surface.



Shown: 42" grill with access doors, double burner, storage drawers, warming drawer and beverage area featuring outdoor refrigerator, ice machine and Cocktail Pro.

DISTINCTIVE DESIGN. DISCERNING TASTES.

Performance shouldn't come at the expense of design. Lynx outdoor kitchen products offer style and exceptional workmanship worthy of the most prestigious celebration.



CONTROL ILLUMINATION (Pat. Pending)

Lynx grill and side burner models feature controls with dedicated blue LED lighting, so the markings on each knob can be easily viewed at night.*



LYNX HOOD ASSIST KIT (Pat. Pending)

The exclusive heat-treated stainless steel spring system is a simple mechanism that makes opening the commercial construction hood effortless and safe. This feature can be easily removed and replaced based on personal preference.*



INTEGRATED IGNITION SYSTEM

All control knobs are equipped with an electronic auto ignition function that lights each burner with the push of the knob. Operates on line voltage and features a battery back-up system.*



54" PROFESSIONAL GRILL

MODEL#L54PSFR-1 (shown)

- Three red brass burners + one ProSear™ Burner (total 100,000 BTUs)
- 1555-sq.-in. cooking surface (1110 primary, 445 secondary)
- Integrated ignition system with a battery back-up
- Control illumination with blue LEDs
- Dual halogen grill surface lights
- Temperature gauge
- Fluid rotation handle
- Lynx Hood Assist Kit
- Removable large-capacity smoker box
- Stainless steel grilling grates
- Dual-position internal rotisserie with heavy-duty, 3-speed motor and two rear infrared burners
- Freestanding model features cart with drawers and folding side shelves

BUILT-IN	FREESTANDING	DESCRIPTION
L54PSR-1	L54PSFR-1	1 ProSear™ IR w/Rotisserie



BUILT-IN
MODEL
AVAILABLE



STANDARD
ON 54"
MODELS

*Not available on 27" models.



42" PROFESSIONAL GRILL

MODEL#L42PSFR-1
(shown)

- Three red brass burners (total 75,000 BTUs)-ProSear™ available
- 1200-sq.-in. cooking surface (855 primary, 345 secondary)
- Integrated ignition system with a battery back-up
- Control illumination with blue LEDs
- Halogen grill surface light
- Temperature gauge
- Fluid rotation handle
- Lynx Hood Assist Kit
- Removable large-capacity smoker box
- Stainless steel grilling grates
- Dual-position internal rotisserie with heavy-duty, 3-speed motor and rear infrared burner
- Freestanding models feature cart with drawers and folding side shelves

BUILT-IN	FREESTANDING	DESCRIPTION
L42R-1	L42FR-1	w/Rotisserie
L42PSR-1	L42PSFR-1	1 ProSear™ IR w/Rotisserie



BUILT-IN
MODELS
AVAILABLE



MODELS
AVAILABLE



36" PROFESSIONAL GRILL

MODEL#L36PSFR-1
(shown)

- Three red brass burners (total 75,000 BTUs)-ProSear™ available
- 935-sq.-in. cooking surface (640 primary, 295 secondary)
- Integrated ignition system with a battery back-up
- Control illumination with blue LEDs
- Halogen grill surface light
- Temperature gauge
- Fluid rotation handle
- Lynx Hood Assist Kit
- Removable large-capacity smoker box
- Stainless steel grilling grates
- Dual-position internal rotisserie with heavy-duty, 3-speed motor and rear infrared burner
- Freestanding models feature cart with folding side shelves

BUILT-IN	FREESTANDING	DESCRIPTION
L36R-1	L36FR-1	w/Rotisserie
L36PSR-1	L36PSFR-1	1 ProSear™ IR w/Rotisserie



BUILT-IN
MODELS
AVAILABLE



MODELS
AVAILABLE



GRILL SURFACE LIGHT

Our internal halogen light is positioned directly above the grilling surface to effectively illuminate the entire area.



ROTISSERIE SYSTEM

Dual-position rotisserie with 3-speed motor allows you to choose the optimal distance from the infrared burner and the speed of rotation and features stainless steel roller bearings.*



REMOVABLE SMOKER BOX

Our stainless steel smoker box with large capacity requires less refilling of wood chips while smoking or flavoring.



TEMPERATURE GAUGE

Attractive, easy to read, flush-mounted hood thermometer tells you when your grill is ready for cooking.



30" PROFESSIONAL GRILL

MODEL*L30FR-1 (shown)

- Two red brass burners (total 50,000 BTUs)-ProSear™ available
- 840-sq.-in. cooking surface (600 primary, 240 secondary)
- Integrated ignition system with a battery back-up
- Control illumination with blue LEDs
- Halogen grill surface light
- Temperature gauge
- Fluid rotation handle
- Lynx Hood Assist Kit
- Removable large-capacity smoker box
- Stainless steel grilling grates
- Dual-position internal rotisserie with heavy-duty, 3-speed motor and rear infrared burner
- Freestanding models feature cart with folding side shelves

BUILT-IN	FREESTANDING	DESCRIPTION
L30R-1	L30FR-1	w/Rotisserie
L30PSR-1	L30PSFR-1	1 ProSear™ IR w/Rotisserie



BUILT-IN
MODELS
AVAILABLE



MODELS
AVAILABLE



27" PROFESSIONAL GRILL

MODEL*L27F-1 (shown)

- Two red brass burners (total 50,000 BTUs)
- 685-sq.-in. cooking surface (470 primary, 215 secondary)
- 9V electronic ignition
- Halogen grill surface light
- Temperature gauge
- Removable large-capacity smoker box
- Stainless steel grilling grates
- Rotisserie with heavy-duty motor and infrared burner (rotisserie model only)

BUILT-IN	FREESTANDING	DESCRIPTION
L27-1	L27F-1	Non-Rotisserie
L27R-1	L27FR-1	w/Rotisserie



BUILT-IN
MODELS
AVAILABLE

*Not available on 27" models.



Shown: 30" freestanding grill with side burners and freestanding Cocktail Pro.

LEISURE MEETS LUXURY.

Just as an indoor kitchen consists not only of a cook-top, the outdoor kitchen benefits from accessories that support cooking and entertaining. Lynx offers an array of complementary products from refrigerators to warming drawers.



COCKTAIL PRO (BUILT-IN)

Fully equipped with water filtration system, sink, drainboard and insulated ice-bin, our Cocktail Pro offers complete beverage service with cleverly designed bottle boots, a built-in bottle opener and an array of well-designed storage features.



Just like your freestanding grills, the freestanding Cocktail Pro features access doors with built-in storage shelves. Ideal for keeping back-up liquors and mixers.



24" OUTDOOR REFRIGERATOR

MODEL #L24REF

- UL listed for outdoor use
- 5.5 cubic feet of usable capacity
- Interior light
- 4 tempered glass shelves with 8 positions
- Seamless stainless steel cabinet and door
- Adjustable temperature control
- Seamless interior liner
- Adjustable leveling legs
- Suitable for built-in or freestanding applications
- GFI-equipped plug



COCKTAIL PRO

MODEL #CS30F FREESTANDING

MODEL #CS30 BUILT-IN

- Stainless steel sink and faucet with water filtration system
- Insulated ice-bin with sliding stainless steel cover
- Drain board and slide-away cutting board
- Built-in bottle opener with integral cap catcher
- Bottle boots for chilling juices, wines and mixers
- Speedrail for quick access to bottles
- Upper serving shelf optional (shown) only available on freestanding model
- Built-in and freestanding models available



15" OUTDOOR ICE MACHINE

MODEL#L15ICE

A sleek stainless steel exterior afford this commercial-style ice machine the same styling as our other outdoor products. Capable of producing 55 lbs. of ice within 24 hours, the ice machine offers 27 lbs. of actual ice storage. UL approved for outdoor use. An excellent companion to the Cocktail Pro. Optional drain pump available.



PROSEAR™ SIDE BURNER

MODEL#LPSGE-1



Enables you to add a dedicated searing station to any outdoor kitchen. ProSear™ burner delivers intense, controllable infrared heat. Features controls with dedicated blue LED lighting. Stainless steel grilling grates and a fully extendable drip pan make cleaning easy. A stainless steel cover protects the unit when not in use. Available for built-in or cart-mounted application.



SIDE BURNERS

**MODEL#LSB1-1
SINGLE**

**MODEL#LSB2-1
DOUBLE**

Modular Side Burners can be easily integrated into any built-in outdoor kitchen or freestanding grill model for the added convenience of traditional range-top cooking. Features controls with dedicated blue LED lighting. The 15,000 BTU brass burners are capable of producing extremely high or low heat. Additionally, burners and basins are sealed, easy to clean and feature a stainless steel cover for protection when not in use. An optional wok grate is available.



DOUBLE SIDE BURNER – PREP CENTER

MODEL#LSB2PC-1

The Double Side Burner features an integrated food preparation center with a maple cutting board and extra-deep utility drawer for oversized utensils. Features controls with dedicated blue LED lighting. Cooking is facilitated by two 15,000 BTU brass burners which deliver intense high heat or a low temperature. The side burner bar grate design accommodates our griddle plate accessory. Available for built-in application only.



30" WARMING DRAWER

MODEL#L30WD

Temperature settings from 90° to 220° offer the flexibility to keep breads warm or poultry piping hot. Equipped with two removable steam pans, lids and steam racks. Moist and crisp settings allow you to keep food at the desired texture. "On" indicator light reminds you when the drawer is on and covered heating element enables use as a towel or robe warmer. Weather-resistant stainless steel.



42" CONVENIENCE CENTER + WARMING DRAWER

MODEL#L42CC

Offers all the features of the 30" Warming Drawer, as well as an LP tank compartment/storage cabinet with sliding tray for easy access to LP tank and a Utility Drawer for oversized grill tools.



UTILITY DRAWERS

MODELS #LUDE LUDXL

Fully enclosed double drawers are designed to easily fit into an island cut-out. 22" depth accommodates oversized grill tools and provides nearly 3,000 cu. in. of storage space. Self-closing design glides on commercial stainless steel rollers. Rigid, heavy gauge welded construction and polished highlights provide a stylish, highly functional system. Available in an XL model for twice the capacity.



ACCESS DOORS

MODELS #LDR21 -1 LDR27 -1 LDR30 -1 LDR36 -2 LDR42 -1

Access doors are frame-mounted and provide convenient storage areas directly below your grill or other areas of your outdoor kitchen. Manufactured with the same rigid welded construction of all Lynx products, our access doors feature heavy-duty latches and removable storage shelves.

THE COOK'S COLLECTION

Lynx offers an exclusive collection of accessories for those who seek added convenience as well as accoutrements required of a complete, full-service outdoor kitchen. Designed with performance and outdoor use in mind, Lynx accessories will endure for the life of your grill.



Shown: Double Side Burner - Prep Center



TRASH CENTER

MODEL#L18TC

Providing a concealed and attractive option for trash disposal brings more than convenience to outdoor cooking and entertaining. An optional trash chute (shown above model #L18TS) with cutting board and stainless steel cover is available.



TOWEL DISPENSER

MODEL#L16TWL

Featuring sculpted modern edges and classic lines, the solid stainless steel towel dispenser boasts exceptional durability. Accommodates a standard roll of paper towels.



SLIDING TANK TRAY

This sliding tray can be installed in most freestanding grill models to provide easy access to LP tanks. Easy installation. Available for 30", 42" and 54" models.



GRIDDLE PLATE

Prepare pancakes, bacon, hash brown potatoes, omelettes and countless other meals on our griddle plate accessory. The easy-to-use plate sits on the grill surface and is made of thick gauge stainless steel. Can also be used on models LSB2PC and LPSGE.



CUSTOM COVERS

Protect your grill when not in use with this felt-lined, heavy-weight custom cover. Designed with a front zipper for easy access. Custom covers are available in sizes to fit any Lynx grill.

For more information on the complete line of Lynx outdoor kitchen products:

www.lynxgrills.com
(888) 879-2322

PROFESSIONAL GRILLS + PROSEAR™ POD

MODEL	A	B	C	D	E	F	G	H
L27	-	26	22	-	-	-	-	-
L30	-	29	24 1/2	-	-	-	-	-
L36	-	35	22	-	-	-	-	-
L42	-	41	24 1/2	-	-	-	-	-
L54	-	53	24 1/2	-	-	-	-	-

COMPLEMENTARY PRODUCTS

MODEL	A	B	C	D	E	F	G	H
ACCESS DOORS								
LDR21-1	-	-	-	19 1/4	-	-	-	-
LDR27-1	-	-	-	25 1/4	-	-	-	-
LDR30-1	-	-	-	28 1/4	-	-	-	-
LDR36-2	-	-	-	34 1/4	-	-	-	-
LDR42-1	-	-	-	40 1/4	-	-	-	-

SIDE BURNERS								
LSB1	12 1/8	-	22 1/2	-	-	-	-	-
LSB2	12 1/8	-	22 1/2	-	-	-	-	-
LSB2PC	24 1/4	-	22 1/2	-	-	-	-	-
LPSGE	12 1/8	-	22 1/2	-	-	-	-	-

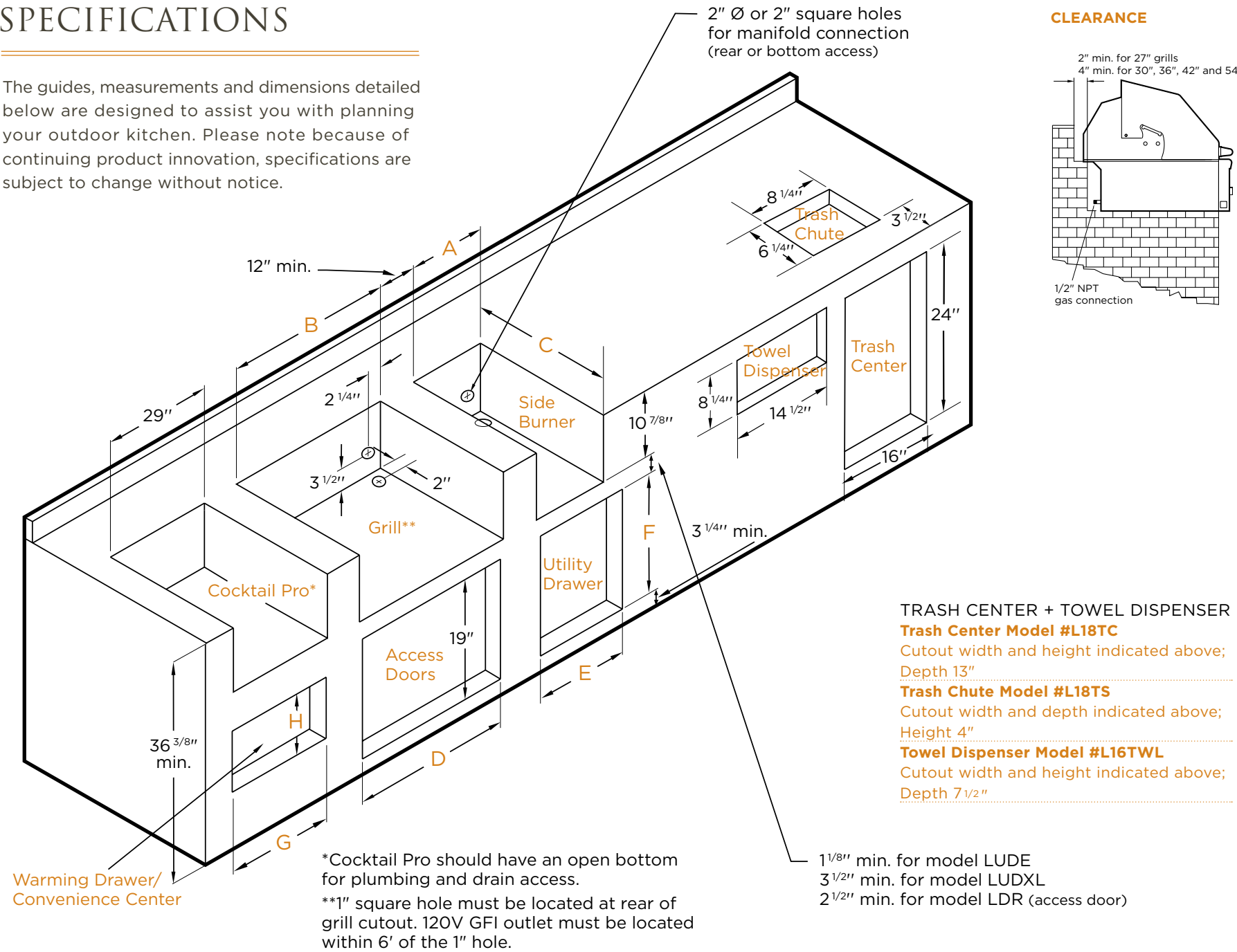
UTILITY DRAWERS								
LUDE	-	-	24	-	12 1/8	19 1/4	-	-
LUDXL	-	-	24 1/4	-	17 1/4	18 9/16	-	-

WARMING DRAWERS								
L30WD	-	-	20 1/2	-	-	-	28 1/2	10
L42CC	-	-	24 1/2	-	-	-	40 1/4	19 3/8

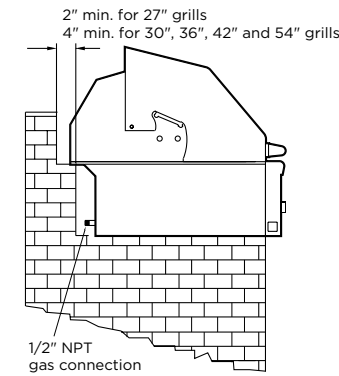
COCKTAIL PRO								
CS30	-	-	22 3/4	-	-	-	-	-

SPECIFICATIONS

The guides, measurements and dimensions detailed below are designed to assist you with planning your outdoor kitchen. Please note because of continuing product innovation, specifications are subject to change without notice.



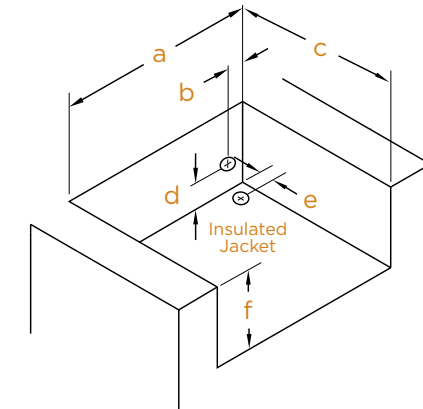
CLEARANCE



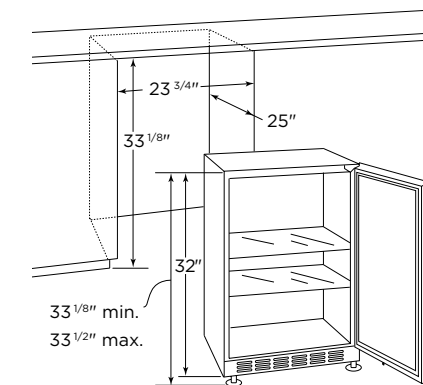
NOTE: INSULATED JACKET REQUIRED FOR ALL GRILLS INSTALLED INTO A CUMBUSTABLE ENCLOSURE. SEE DETAIL.

WITH INSULATED JACKET INSTALLED

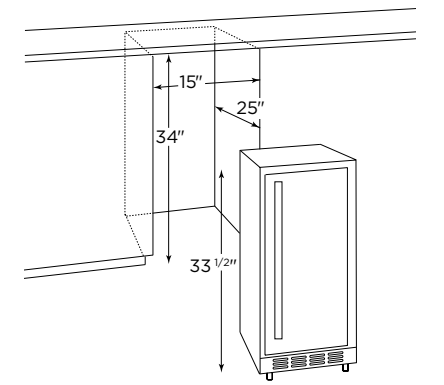
MODEL	A	B	C	D	E	F
LIJ27	33	5	24 1/2	4 1/2	3	11 5/8
LIJ30	36	5	26 1/2	4 1/2	3	11 5/8
LIJ36	42	5	24 1/2	4 1/2	3	11 5/8
LIJ42	48	5	26 1/2	4 1/2	3	11 5/8
LIJ54	60	5	26 1/2	4 1/2	3	11 5/8



OUTDOOR REFRIGERATOR



ICE MACHINE



TRASH CENTER + TOWEL DISPENSER

- Trash Center Model #L18TC**
Cutout width and height indicated above;
Depth 13"
- Trash Chute Model #L18TS**
Cutout width and depth indicated above;
Height 4"
- Towel Dispenser Model #L16TWL**
Cutout width and height indicated above;
Depth 7 1/2"

Lynx began as the vision of a group of people with over a century of collective experience, who for 35 years were manufacturing top-of-the-line stainless steel products for the commercial food service industry. Lynx has taken that same quality, workmanship, service and innovation and incorporated it into the Lynx Professional Grills line of products. The combination of the best materials, fine craftsmanship and original ideas is why Lynx products are in a class of their own.

These original commercial products are found in leading restaurants, hotels and theme parks across the USA:

- TGI Fridays • Applebee's • Houston's • Red Lobster • Hard Rock Café • Wolfgang Puck's • Cheesecake Factory • Red Robin
- Planet Hollywood • Hilton • Hyatt • Four Seasons • Marriott • Le Meridian • Sheraton • Conrad International • Bellagio
- New York-New York • MGM Grand • Treasure Island • Mirage • Paris • Venetian • Excalibur • Mandalay Bay • Riviera • Desert Inn
- Hard Rock Hotel • Disney World • Universal Studios Orlando and Hollywood

6023 East Bandini Blvd.
Commerce, CA 90040

For more information about Lynx and the products highlighted in this catalog, please call **1-888-879-2322** or visit us at **www.lynxgrills.com**

P/N 31895 2/07 ©2007 Lynx Professional Grills

