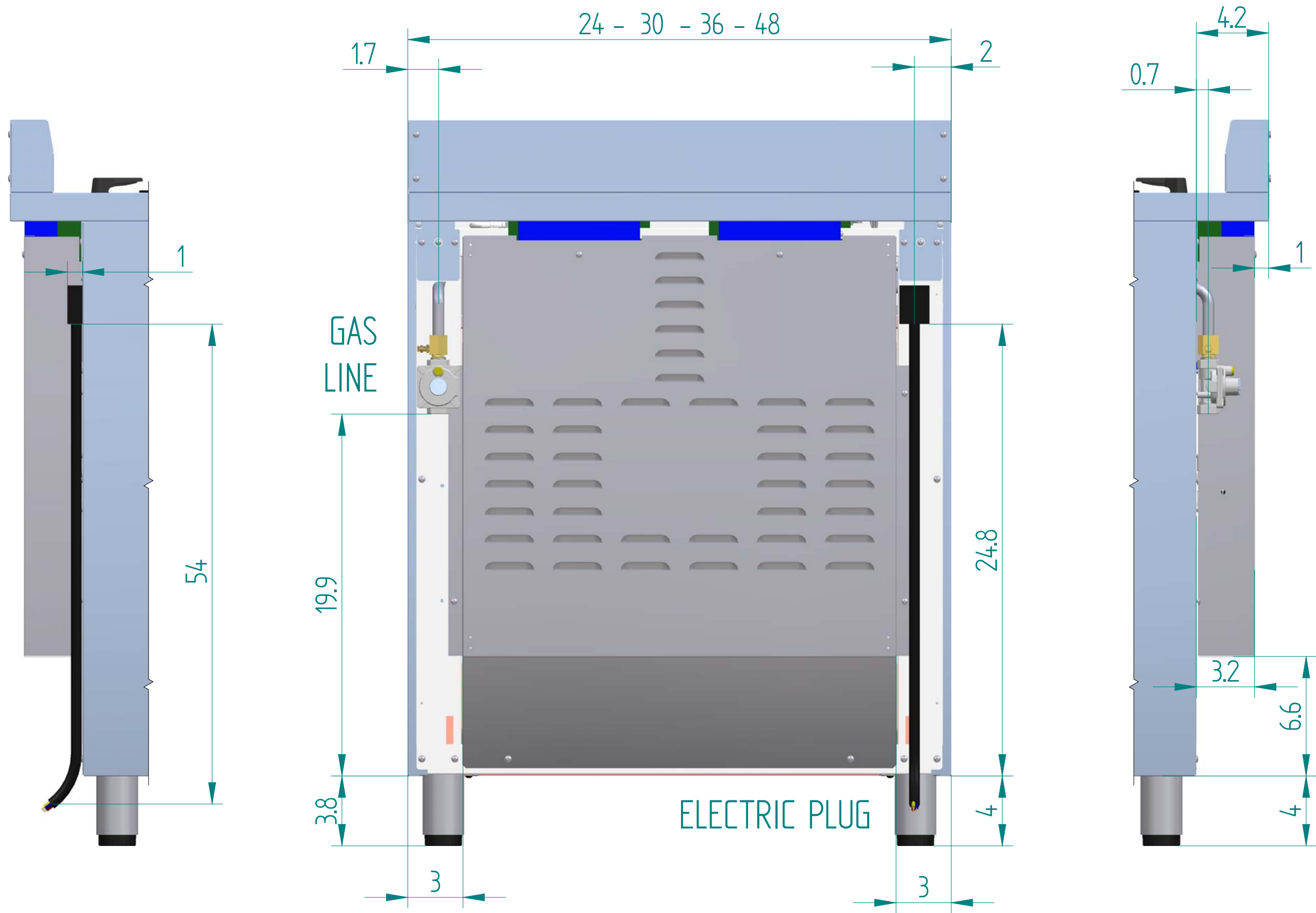
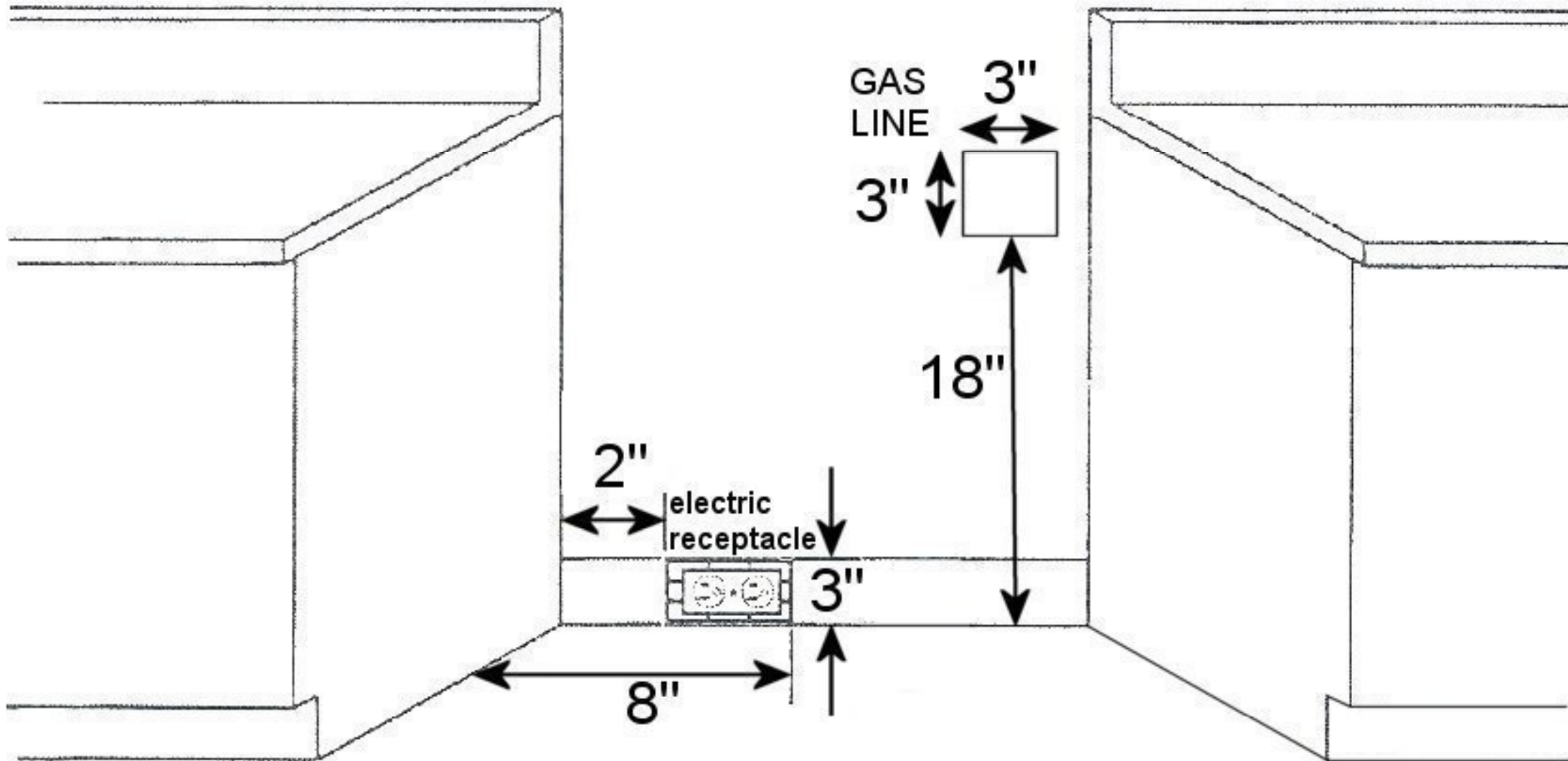
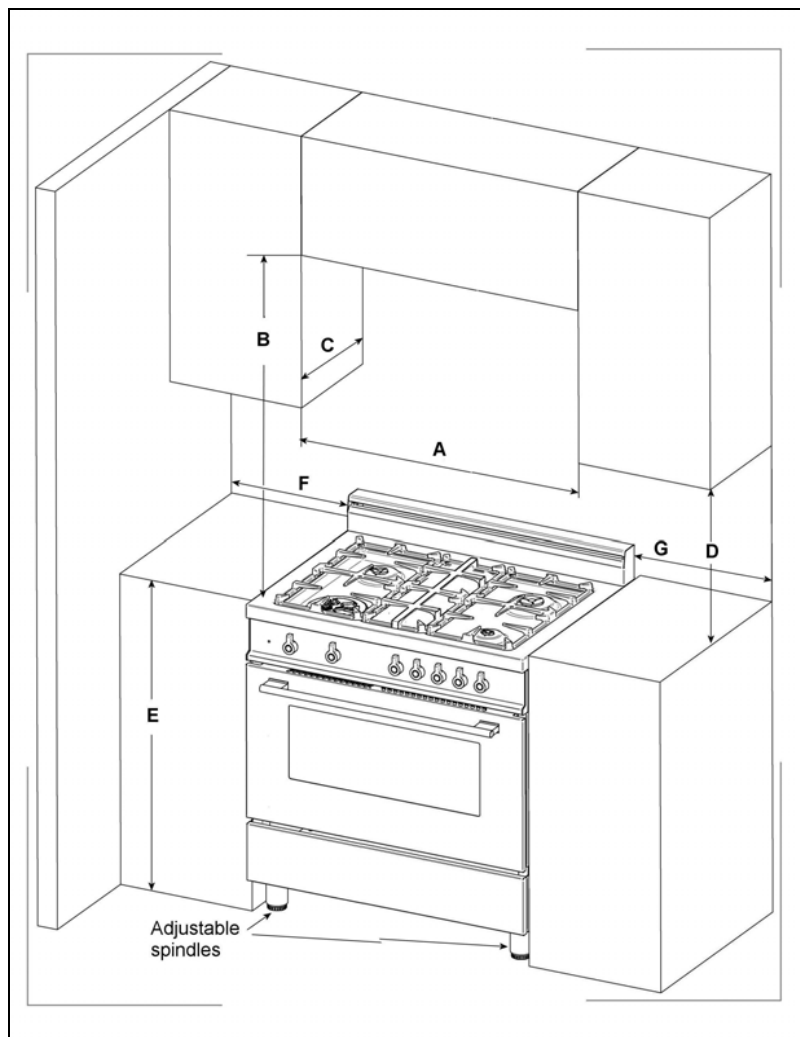


REAR VIEW





***NOTE:** Ground plug and electrical wire toward the direction of the electrical outlet



A	30" (76,2 cm)
B	36" (91,5 cm)
C	13" (33,0 cm)
D	18" (45,7 cm)
E	35 ¹ / ₂ "(90,2 cm) / 37 ¹ / ₄ " (94,6 cm)
F	6" (15,2 cm)
G	6" (15,2 cm)

