

*Frigidaire*

Factory Parts Catalog

Product No.	GLFH17F8HBB
Series	Precision
Color	black
Volts	115
Wiring Diagram	297246001
Owner's Guide	297245700
Market	North America
Energy Guide	216910410

 **Electrolux**

Electrolux Major Appliances  
North & Latin America  
P.O. BOX 212378  
AUGUSTA, GA 30917

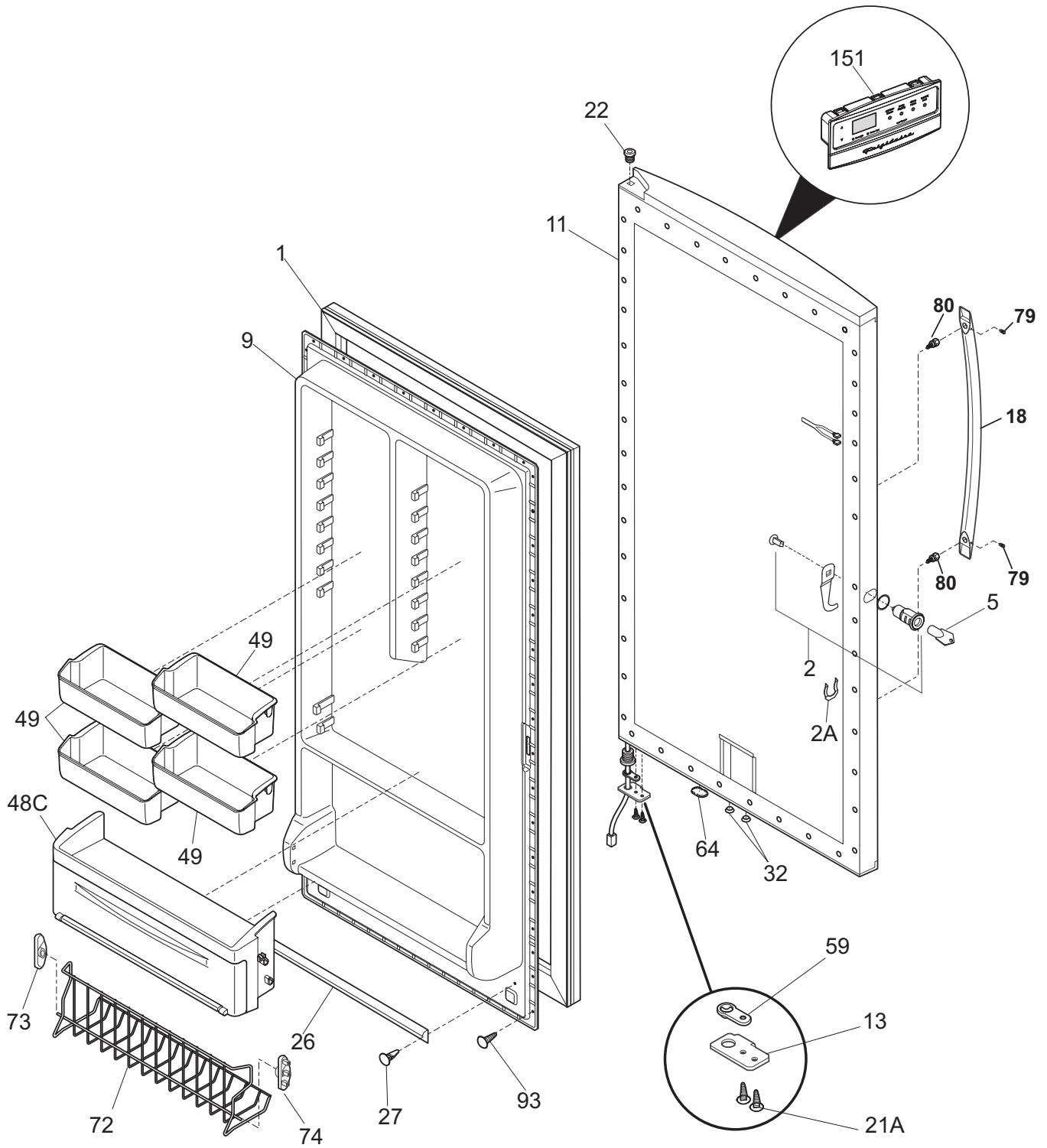
Publication No.  
**5995524963**  
08/09/29  
(EN/SERVICE/MLR)  
365

**UPRIGHT FREEZER**

Model No.  
**GLFH17F8HB**

Copyright © 2008 Electrolux Home Products, Inc.  
All rights reserved.

DOOR



P08D0579

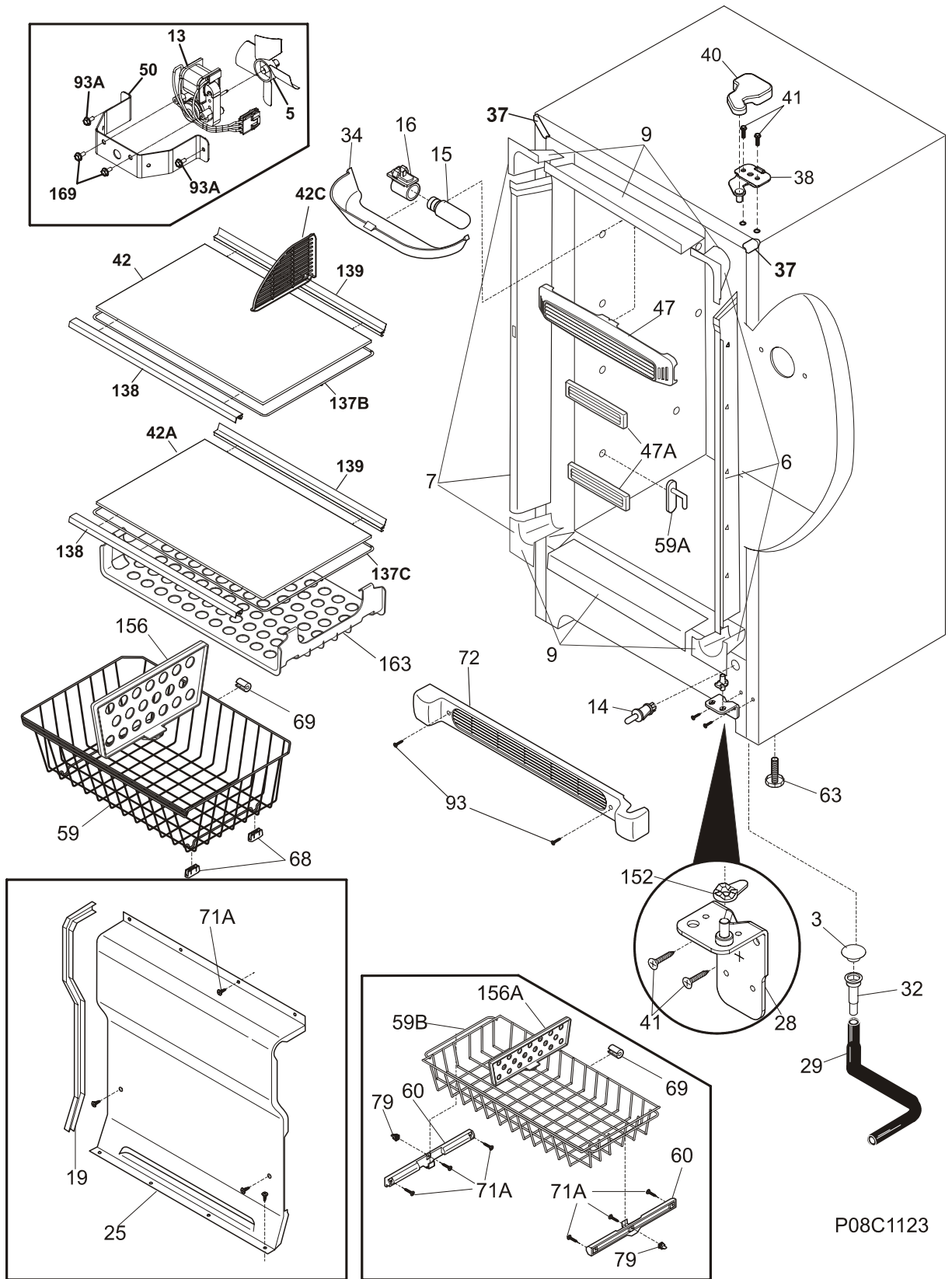
---

**DOOR**


---

POS. NO	PART NO.	DESCRIPTION
1	216522311	Gasket-door, black
2 #	297090000	Lock Assy
2A	297090900	Clip, spring
5	297147700	Key, lock
9	297185800	Panel-inner door, frzr
11	297203803	Panel-outer door, black
13	297154801	Door Stop, black, RH/LH
18	241930103	Handle-door, black
*	240537301	Nut-anchor, door hdl screw
21A	216850900	Screw, hex washer hd, 1/4 x 7/8, door stop/hng
22	216970800	Bearing, hinge w/o'ring, top
26	216524200	Gasket, secondary
27	5303212828	Clip, panel mtg
27*	5304406520	Clip, panel mtg kit, (40)
32	5309950074	Valve, breather
48C	297186400	Bin-door, w/lid
49	297187200	Bin-door, 2-liter
59	216974500	Bearing, door closer
64	216403700	Plug-button, hole filler, door base
72	297186700	Shelf, tilt out, wire
73	216513900	End Cap, shelf, LH, tilt-out
74	216514000	End Cap, shelf, RH, tilt-out
79	218755402	Screw-set, 10-32 x 0.375
80	218755504	Screw-shoulder, #10 AB, handle mounting
93	5304460605	Screw, ph truss head, 8-18AB x 0.500
151#	297241907	Control-electronic, assy, black/chrome, 115V

CABINET

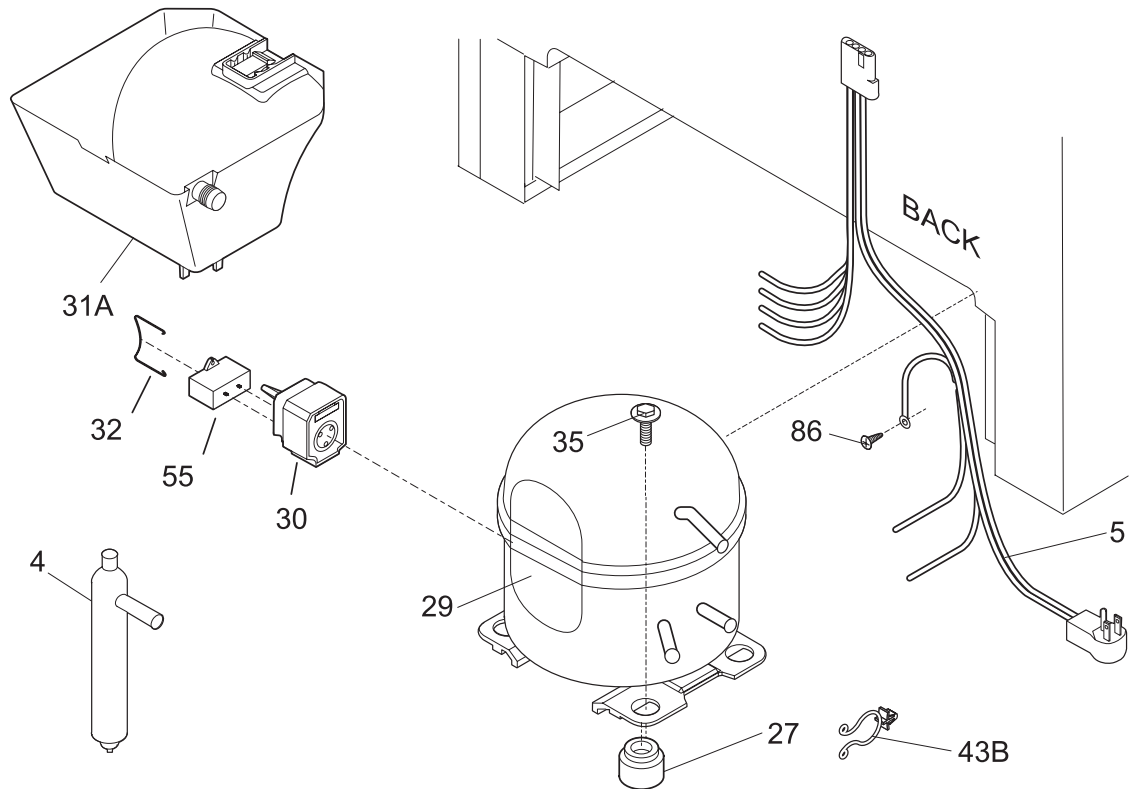
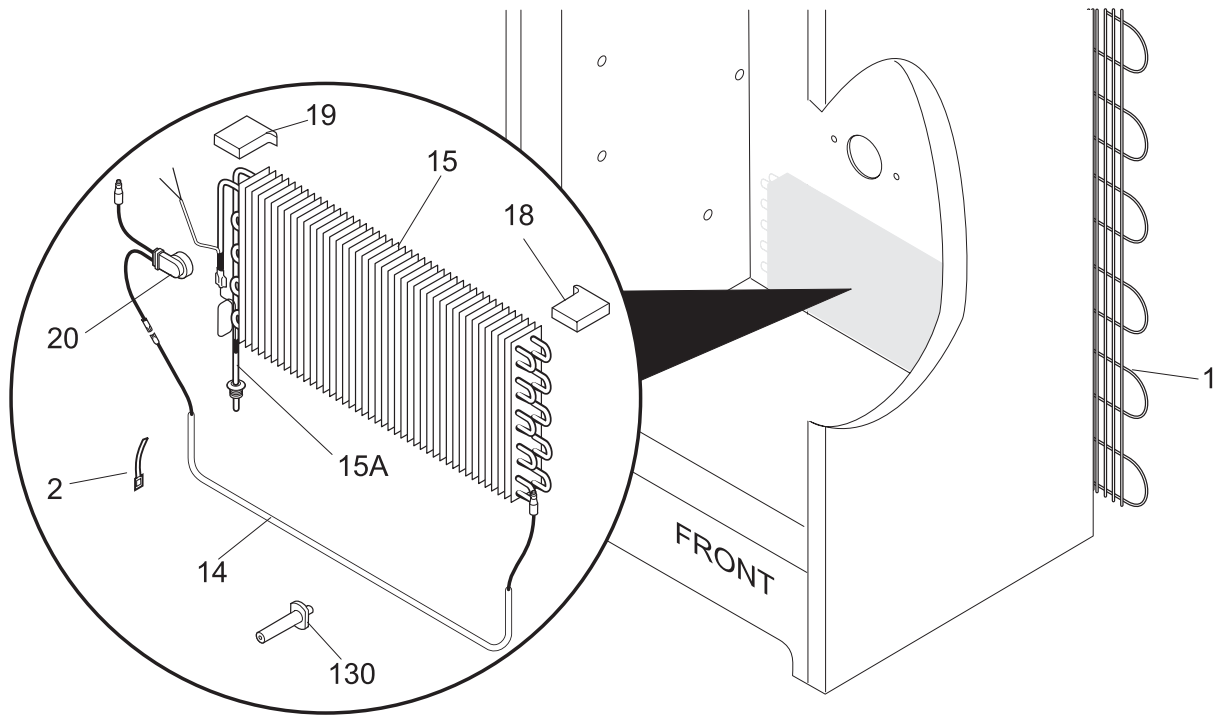


P08C1123

**CABINET**

POS. NO	PART NO.	DESCRIPTION
3	216503100	Screen-drain
5 #	216325600	Fan Blade
6	297200600	Breaker Kit w/corners, no lock slot
7	297200800	Breaker Kit w/corners, incl lock catch
9	297200100	Breaker Kit w/corners, 32", top and bottom
13 #	297250000	Motor, fan, 115 V
14	297243801	Switch, light/lamp, black, plunger
15	297114000	Light Bulb, short, blue tint, 40W
16	216817601	Socket, light/lamp, 25 W
19	216204900	Gasket, evap cover
25	297098851	Cover-evaporator
28	297179300	Hinge, bottom/RH
29	216313501	Hose-drain
32	5308005500	Drain
34	297184400	Shield-light
37	241611303	Trim-cabinet corner, black, (2)
38	297154600	Hinge-upper
40	297154700	Cover-hinge
41	297236200	Screw, tamper proof, 1/4-20 x 5/8
42	297166800	Glass-shelf
42A	297166801	Glass-shelf
*	216502400	Grommet-shelf mtg
42C	297183802	Divider, blue, glass shelf
47	297192902	Baffle, air, blue
47A	297205802	Diffuser, air, blue, (2)
50	216394050	Bracket, fan motor mount
59	297210800	Basket
59A	216486500	Stop-basket, (2)
59B	297209700	Basket
60	297013500	Slide, basket
63	216396900	Screw, leveling foot, plastic, adjustable
63*	297164600	Bracket, LH leg levelor
63*	297164601	Bracket, RH leg levelor
68	08009560	Glide-basket
69	5305878546	Bumper-basket
71A	297146800	Screw, 8-18AB x 0.470
72	297198901	Grille/Kickplate, 32", black
79	3017666	Nut-insert
93	5304460605	Screw, ph truss head, 8-18AB x 0.500
93A	216629601	Screw, hex washer head, 10-16 x 0.500, tapping
137B	297166900	Frame
137C	297166901	Frame, shelf
138	297203602	Trim-shelf, front
139	297218202	Trim-shelf, rear
152	216974600	Bearing, hinge closer
156	297202502	Divider, basket, btm
156A	297202302	Divider, basket, (2)
163	297185302	Shelf, pizza
169	216912401	Screw, hex washer head, 8-32 x 0.500, bracket fan mtr, (2)
*	216910410	Energy Guide
*	297001704	Insulation, 24", drain tube
*	297249900	Instructions, elect guide, Precision
*	297257400	Label, start guide

**SYSTEM**



P08S0499

---

**SYSTEM**


---

POS. NO	PART NO.	DESCRIPTION
1 #	5300083897	Condenser
2	5308000110	Strap-evap/heater, aluminum, (2)
4	216987500	Drier-filter
5 #	297237602	Harness-main
14	297216100	Heater-defrost
15 #	216997300	Evaporator
15A	297238700	Heat Exchanger
18	297078700	Insulator-evap, styrofoam
19	297078800	Insulator-evap, styrofoam
20	216872200	Thermostat, defrost
27	5308002681	Grommet, compressor
29 #	297237400	Compressor, w/o electricals
30	216954212	Controller, compressor
31A	297251800	Pan-drain
32	216649200	Clip, controller
35	297177200	Bolt, compressor
43B	297048400	Clip
55	216985002	Capacitor, run, 12 MF
86	216036601	Screw, RWHD, 8-32A x 0.500, GX-CA
130	297244700	Support, evaporator mtg
*	216502500	Sleeve, suction line
*	240555002	Screw-#8-32 X 3/8
*	297018400	Thermistor
*	297102800	Spacer-tube
* #	297169900	Cord-power, flat