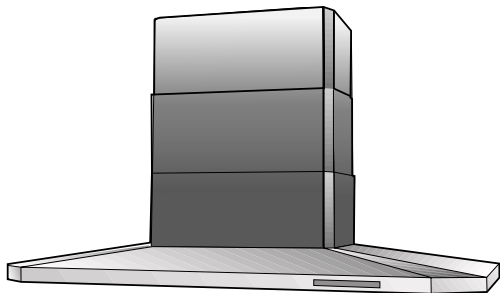


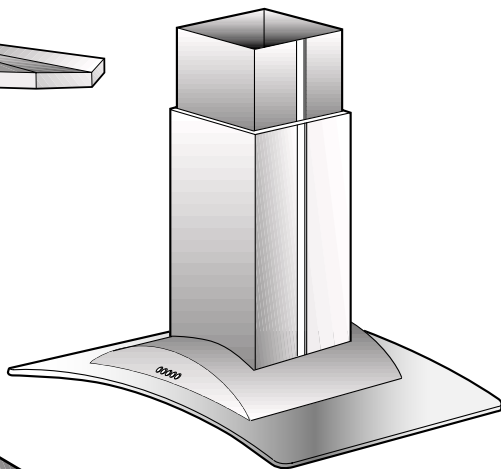
Thermador[®]

Care and Use for
Island Hoods
Installation Instructions
on Page 9

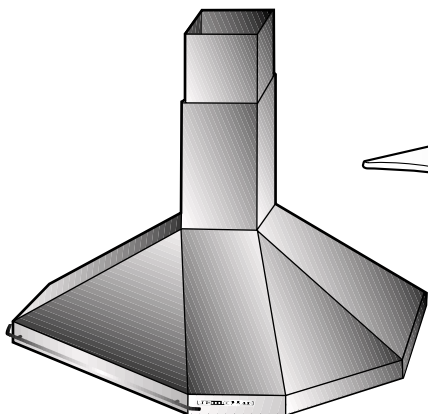
READ AND SAVE THESE INSTRUCTIONS



HDI



HGSI



HTDI

Model #

Serial #

Thermador[®]

5551 McFadden Avenue, Huntington Beach, CA 92649 • 800/735-4328
RO 8588 • 35-05-018C • © Thermador Corporation 1998 • Litho U. S. A. 7/98

IMPORTANT SAFETY INSTRUCTIONS

WARNING - TO REDUCE THE RISK OF FIRE, ELECTRIC SHOCK, OR INJURY TO PERSONS, OBSERVE THE FOLLOWING:

CAUTION: FOR VENTILATION USE ONLY. DO NOT USE TO EXHAUST HAZARDOUS OR EXPLOSIVE MATERIALS OR VAPOR.

1. Use this unit only in the manner intended by the manufacturer. If you have questions, contact the manufacturer (800-735-4328).
2. Before servicing or cleaning the unit, switch power off at service panel and lock service panel to prevent power from being switched on accidentally.

WARNING - TO REDUCE THE RISK OF A RANGE TOP GREASE FIRE.

1. Keep fan, filters and grease accumulating surfaces clean.
2. Always turn hood fan ON when cooking on high heat.
3. Use high range settings on range only when necessary. Heat oil slowly on medium low setting.
4. Do not leave range unattended when cooking.

5. Always use cookware and utensils appropriate for the type of food being prepared.

WARNING - TO REDUCE THE RISK OF INJURY TO PERSONS, IN THE EVENT OF A RANGE TOP GREASE FIRE, OBSERVE THE FOLLOWING:

- a) SMOTHER FLAMES with a close-fitting lid, cookie sheet, or other metal tray, then turn off the gas burner or the electric element. BE CAREFUL TO PREVENT BURNS. If the flames do not go out immediately, EVACUATE AND CALL THE FIRE DEPARTMENT.
- b) NEVER PICK UP A FLAMING PAN - you may be burned.
- c) DO NOT USE WATER, including wet dishcloths or towels. A violent steam explosion may result.
- d) Use an extinguisher ONLY if:
 - 1) You know you have a class ABC extinguisher, and you already know how to operate it.
 - 2) The fire is small and contained in the area where it started.
 - 3) The fire department is being called.
 - 4) You can fight the fire with your back to an exit.

LES INSTRUCTIONS DE SÉCURITÉ IMPORTANTES

AVERTISSEMENT - POUR RÉDUIRE LE RISQUE D'INCENDIE, DE CHOC ÉLECTRIQUE, OU DE LA BLESSURE AUX PERSONNES, OBSERVER LE SUIVANT:

ATTENTION: SEULEMENT POUR L'UTILISATION D'AÉRATION. NE PAS L'UTILISER POUR ÉPUISER LA VAPEUR OU LES MATIÈRES EXPLOSIVES OU DANGEREUSES.

1. Utiliser cet appareil seulement dans la manière destinée par le fabricant. Si vous avez des questions, contacter le fabricant (800-735-4328).
2. Avant l'entretien ou le nettoyage de l'appareil, couper le courant au tableau de service, et fermer à clef.

AVERTISSEMENT - POUR RÉDUIRE LE RISQUE D'UN FEU DE GRAISSE DU SOMMET DE LA CUISINIÈRE:

1. Garder le ventilateur, les filtres et les surfaces chargées de la graisse propres.
2. Toujours mettre le capot EN MARCHÉ en cuisinant à la haute chaleur.
3. Utiliser les hauts positionnements du cuisinière sur la cuisinière seulement quand c'est nécessaire. Chauffer l'huile lentement sur un positionnement bas à moyen.
4. Ne pas laisser la cuisinière sans surveillance pendant la cuisson.

5. Utiliser toujours les batteries de cuisine et les ustensiles appropriés pour le type et la quantité de la nourriture ayant préparée.

AVERTISSEMENT: - POUR RÉDUIRE LE RISQUE DE BLESSURE AUX PERSONNES DANS L'ÉVÉNEMENT D'UN FEU DE GRAISSE DU SOMMET DE LA CUISINIÈRE, OBSERVER LES SUIVANTS:

- a) ÉTOUFFER LES FLAMMES avec un couvercle ajusté, une tôle du biscuit ou un plateau métallique, puis fermer le bec. **SOYEZ CERTAIN D'EMPÊCHER LES BRÛLURES.** Si les flammes ne s'éteindront pas immédiatement, **ÉVACUER ET APPELER LE SERVICE DES INCENDIES.**
- b) **NE JAMAIS RAMASSER UNE CASSEROLE EN FLAMMES -** Vous pouvez être brûlé.
- c) **NE PAS UTILISER DE L'EAU,** y compris les torchons mouillés ou les serviettes - une explosion violente résultera.
- d) Utiliser un extincteur **SEULEMENT** si:
 - 1) Vous savez que vous avez un extincteur de Classe ABC et vous savez déjà comment le faire fonctionner.
 - 2) Le feu est petit et est contenu dans la région où il a commencé.
 - 3) Le service des incendies est appelé.
 - 4) Vous pouvez combattre le feu avec votre dos à une sortie.

CONTROL PANELS

MODELS: HTDI and HDI ELECTRONIC TOUCH CONTROLS

- A. Motor OFF button
- B. ON button and motor speed selection button 1, 2, 3, 1,....
- C. Speed 1 LED
- D. Speed 2 LED
- E. Speed 3 LED
- F. Intensive 4th Speed LED
- G. Intensive 4th speed ON switch this speed will run for 10 min. and then return to previous setting, including OFF.
- H. Light OFF button
- I. Light ON button



FIGURE 1

Grease Filter Saturation LED

The speed 2 LED in Figure 1 is marked with an **F**. This LED will flash to remind you when the grease filter needs to be cleaned after 40 hours use. Follow the instructions for cleaning filters in this booklet. Once the grease filters have been cleaned, reset the reminder by pressing button **A** for 3 seconds until you hear the signal (beep).

MODEL: HGSI MECHANICAL PUSH BUTTONS

- A. Hood "ON" indicator light
- B. Light ON-OFF button
- C. Motor OFF button
- D. Motor speed button 1 (low)
- E. Motor speed button 2 (med)
- F. Motor speed button 3 (high)

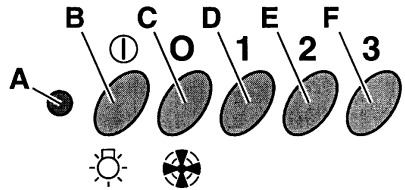


FIGURE 2

OPERATING INSTRUCTIONS - HOOD

The blower should be turned on for about 5 minutes **before** cooking in order to establish air currents upward through the hood. Thus when heat, smoke, moisture, grease and cooking odors are produced, they will be carried outside instead of drifting into other rooms. Use the low speeds for normal use and the higher speeds for strong odors or fumes.

Drafts across the range or cooktop will reduce the effectiveness of the hood. Such drafts should be prevented in so far as possible.

CLEANING INSTRUCTIONS

Be sure lights are cool before cleaning the hood.

To Clean Filter/s

- It is recommended that the filters be washed at least once a month; they can be washed by hand or in the dishwasher.
- Drain water through edge holes and let each filter dry thoroughly before replacing it

To Clean Hood Surface

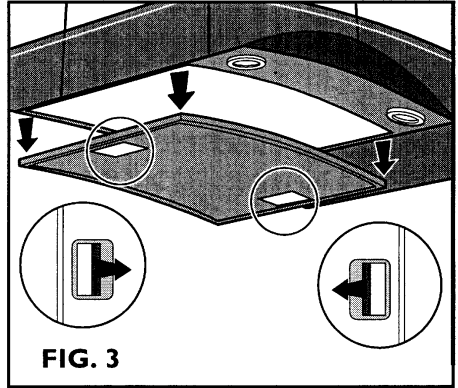
- For general care, wipe the outside of the stainless steel, white, black or glass hood with sudsy water or household cleaners such as Fantastic® or Formula 409®, rinse well and dry with clean soft cloth to avoid water marks.
- Wipe and dry brushed stainless steel in the same direction as the grain.
- Do not use abrasive products.
- To remove finger prints and give added shine use spray cleaners such as Stainless Steel Magic® and Shimmer®

FILTERS

The metal grease filters are made of anodized aluminum and are long lasting.

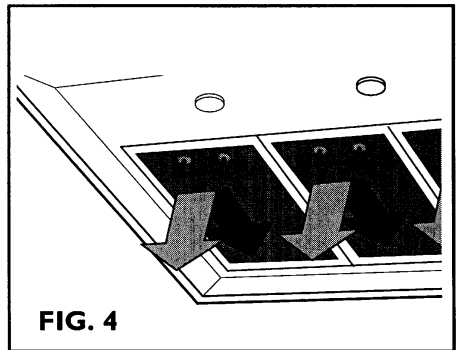
To Remove The Metal Grease Filter/s

- Turn blower and lights off.



For Models HGSI

- Push clips towards the center and pull the filters downward. Fig. 3.



For Models HTDI, HDI

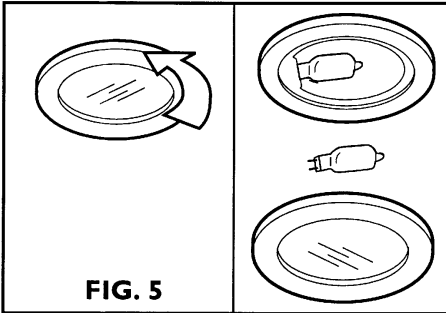
- Push each handle towards the center and pull downwards. Fig. 4.

To Replace The Metal Grease Filter/s

- Reverse procedure.

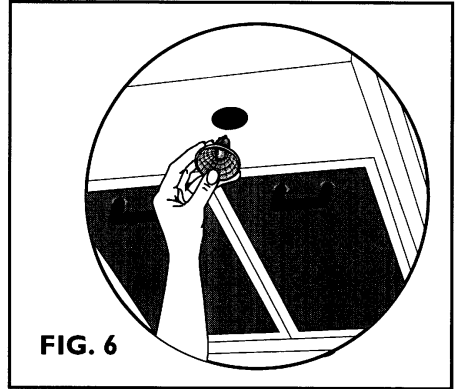
LIGHTS

NOTE: Turn blower and lights off. Make sure the lights are cool. If new lights do not operate, check fuses (see Page 7, Fuses) and be sure lights are inserted correctly before calling service.



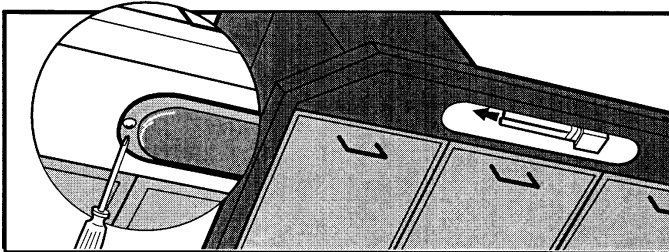
Replace Lights For Model HGSI (Fig. 5)

- Unscrew the the light cover.
- Remove the damaged light and replace with a new halogen light of 12 Volt, 20 Watt maximum (for G-4 Base). Follow package directions and do not touch new light with bare hands.
- Screw the light cover in its proper place.



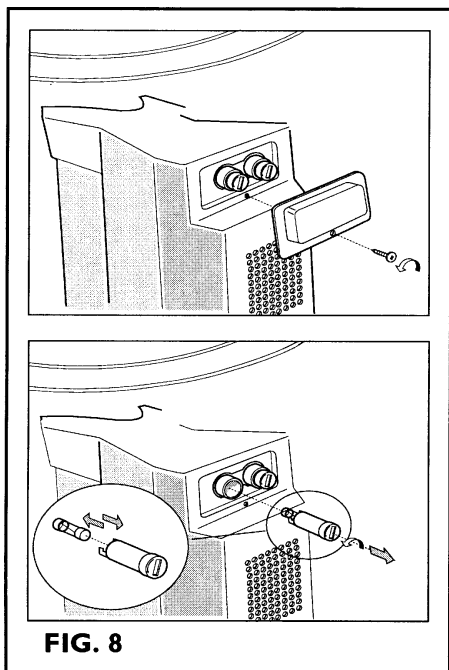
Replace Lights For Model HTDI (Fig. 6)

- Remove the burnt bulb, simply pull it outwards.
- Remove the damaged light and replace with a new halogen light of 12 Volt, 20 Watt maximum (like GE type ESX).
- When installing the new light be sure that the two prongs of the light fit perfectly into the two sockets of the lightholder. Press in firmly.



Replace Lights For Model HDI (Fig. 7)

- Remove lens cover by removing screw and pulling cover down.
- Pull out flourescent tube and replace with Philips Type PL-S 9 Watt maximum.
- Replace cover and secure with screw.



FUSES (FOR LIGHTS ONLY)

Replace Fuses on Model HTDI,

NOTE: Disconnect the hood from the electricity before replacing fuses.

- Fuses are located on the bottom of blower behind filters.
- Remove cover and check fuses. Fig. 8.
- Replace with type 5 x 20mm, 3.15A **slow blow only**. (Examples are Radio Shack Cat # 270-1065 or Little Fuse T3.15A 218).

THERMADOR® is a leading manufacturer of Convection Micro Thermal Ovens, Convection Thermal Electric Ovens and Ranges, Thermador PROFESSIONAL® Dual-Fuel and All-Gas Ranges, Thermador PROFESSIONAL® Gas Cooktops, Free-Standing and Drop-In/Slide-In Ranges, Warming Drawers, XLO® Gas Cooktops, Traditional Series Gas Cooktops, Glass Ceramic Halogen Cooktops, Glass Ceramic All-Radiant Cooktops, Electric Coil Cooktops, Char-Glo® Indoor Gas Barbecue Grills, Refrigerators, Hoods, Ventilators and COOK'N'VENT® Downdraft Systems.

Thermador® Hood Warranty

FULL ONE YEAR WARRANTY

Covers one year from date of installation, or date of occupancy on a new, or previously unoccupied dwelling. Save your dated receipt or other evidence of installation/occupancy date.

Thermador **Will Pay** For:

All repair labor and replacement parts found to be defective due to materials and workmanship.

Service must be provided by a Factory Authorized Service Agency, during normal working hours. For a Service Agency nearest you, please call **800/735-4328**.

Thermador **Will Not Pay** For:

1. Service by an unauthorized agency. Damage or repairs due to service by an unauthorized agency or the use of unauthorized parts.
2. Service visits to:
 - Teach you how to use the appliance.
 - Correct defects or repairs due to improper installation. You are responsible for providing electrical wiring and other connecting facilities.
 - Reset circuit breakers or replace home fuses.
 - Correct damage caused from accident, alteration, misuse, abuse, improper installation or installation not in accordance with local electrical codes or plumbing codes, or improper storage of the appliance.
3. Service labor during limited warranty period.
4. Travel fees and associated charges incurred when the product is installed in a location with limited or restricted access (i.e. airplane flights, ferry charges, isolated geographic regions).
5. Repairs due to other than normal home use.

This warranty applies to appliances used in residential applications; it does not cover their use in commercial installations. The warranty is for products purchased and retained in the 50 states of the U. S. A., the District of Columbia and Canada. Should the appliance be sold by the original purchaser during the warranty period, the new owner continues to be protected until the expiration date of the original purchaser's warranty period. Products for use in Canada must be purchased through the Canadian distribution channel to ensure regulatory compliance and warranty coverage. This warranty gives you specific legal rights. You may also have other rights which vary from state to state.

HOW TO OBTAIN SERVICE

- Contact the Factory Authorized Service Agent in your area.
- Contact the Dealership where you purchased the appliance.
- Call the Thermador Customer Support Call Center at **800-735-4328**.
- Write to us at: Thermador 555 I McFadden Avenue, Huntington Beach, CA 92649.

Thermador®

INSTALLATION INSTRUCTIONS ISLAND HOOD SERIES:

HDI, HGSI, HTDI

**FOR RESIDENTIAL USE ONLY
NOT TO BE INSTALLED OVER GAS GRILLS**

PLEASE READ ENTIRE INSTRUCTIONS BEFORE PROCEEDING. INSTALLATION MUST COMPLY WITH ALL LOCAL CODES.

IMPORTANT: Save these Instructions for the Local Electrical Inspector's use.

INSTALLER: Please leave these Instructions with this unit for the owner.

OWNER: Please retain these instructions for future reference.

SAFETY WARNING: Before servicing or cleaning unit, switch power off at service panel and lock service disconnecting means to prevent power from being switched on accidentally. When the service disconnecting means cannot be locked, attach a tag to the service panel to indicate power has been switched off for maintenance.

REQUIREMENT: 120 VAC, 60 Hz. 15 or 20A (Appliance Rating see Table 1)

IMPORTANT SAFETY INSTRUCTIONS

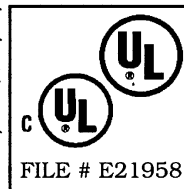
WARNING - TO REDUCE THE RISK OF FIRE, ELECTRIC SHOCK, OR INJURY TO PERSONS, OBSERVE THE FOLLOWING:

CAUTION: FOR GENERAL VENTILATING USE ONLY. DO NOT USE TO EXHAUST HAZARDOUS OR EXPLOSIVE MATERIALS OR VAPORS.

- A. Use this unit only in the manner intended by the manufacturer. If you have questions, contact the manufacturer.
- B. Before installing, servicing or cleaning the unit, switch power off at service panel and lock service panel to prevent power from being switched on accidentally.
- C. Installation Work and Electrical Wiring Must Be Done By Qualified Person(s) In Accordance With All Applicable Codes & Standards,

Including Fire-rated Construction.

- D. Sufficient air is needed for proper combustion and exhausting of gases through the flue (chimney) of fuel burning equipment to prevent back drafting. Follow the heating equipment manufacturers guideline and safety standards such as those published by the National Fire Protection Association (NFPA), and the American Society for Heating, Refrigeration and Air Conditioning Engineers (ASHRAE), and the local code authorities.
- E. Due to size and weight of this unit, two installers are recommended.
- F. When cutting or drilling into wall or ceiling, do not damage electrical wiring and other hidden utilities.



CONTINUED – PLEASE TURN PAGE

READ AND SAVE THESE INSTRUCTIONS

CONTINUED – FROM PREVIOUS PAGE

G. To properly exhaust air, be sure to duct air outside. Do not vent exhaust air into spaces within walls, ceilings, attics, crawl spaces or garages.

H. Install this hood in accordance with

all requirements specified by the manufacturer of your cooktop/range.

I. WARNING - TO REDUCE THE RISK OF FIRE, USE ONLY METAL DUCTWORK.

LES INSTRUCTIONS DE SÉCURITÉ IMPORTANTES

AVERTISSEMENT DE SÉCURITÉ:

Avant l'entretien ou le nettoyage de l'appareil, couper le courant au tableau de service, et fermer à clef la moyenne de débrayage de service pour empêcher l'alimentation d'être allumée par hasard. Quand la moyenne de débrayage de service ne peut pas être fermée à clef, attacher une étiquette au tableau de service pour indiquer que l'alimen-

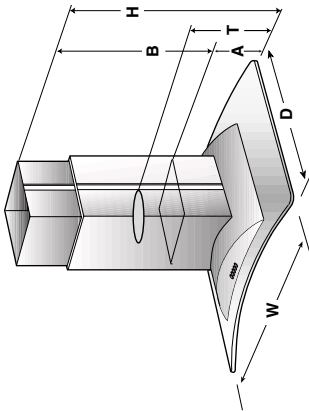
AVERTISSEMENT - POUR RÉDUIRE LE RISQUE D'INCENDIE, DE CHOC ÉLECTRIQUE, OU DE LA BLESSURE AUX PERSONNES, OBSERVER LE SUIVANT:

ATTENTION: SEULEMENT POUR L'UTILISATION D'AÉRATION. NE PAS L'UTILISER POUR ÉPUISER LA VAPEUR OU LES MATIÈRES EXPLOSIVES OU DANGEREUSES.

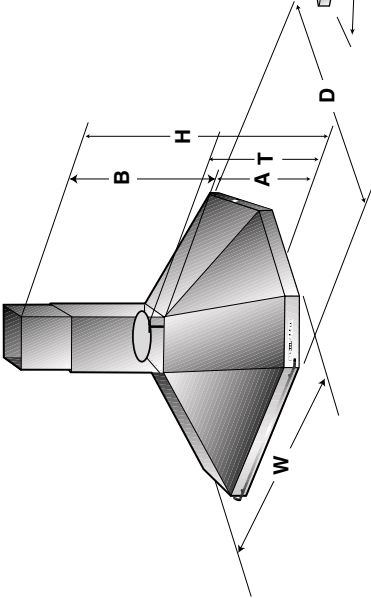
- A. Utiliser cet appareil seulement dans la manière destinée par le fabricant. Si vous avez des questions, contacter le fabricant.
- B. Avant l'installation, l'entretien ou le nettoyage de l'appareil, couper le courant au tableau de service, et fermer à clef le tableau de service pour empêcher l'alimentation d'être allumée par hasard.
- C. Le Travail d'Installation et de Câblage

Électrique Doit Être Fait Par les Personne(s) Qualifiées.

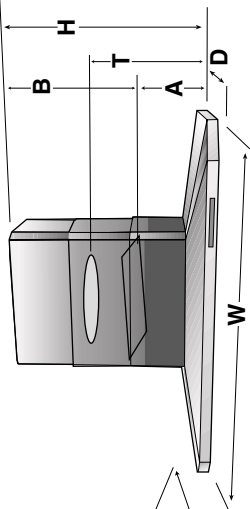
- D. L'écoulement comburant pour le fonctionnement sûr du matériel de la combustion du combustible peut être affecté par le fonctionnement de cet appareil. Suivre la directive des fabricants du matériel chauffant et les normes de sécurité tel que ceux publiées par l'Association du Protection de Feu National (NFPA), et la Société Américaine pour les Ingénieurs de Chauffage, de Réfrigération et de Climatisation (ASHRAE), et les autorités des codes locales.
- E. Par suite de la dimension et le poids de cet appareil, deux installateurs sont recommandés.
- F. En coupant ou en forant dans un mur ou dans un plafond, ne pas endommager le câblage électrique et des autres utilités cachées.
- G. Les ventilateurs canalisés doivent être toujours déchargés à l'extérieur et vers le haut. Ne pas décharger au grenier ou au vide sanitaire.
- H. Installer ce capot conformément aux toutes exigences spécifiées par le fabricant de votre cooktop/cuisinière.
- I. Pour réduire le risque d'incendie, utiliser seulement le travail du conduit métallique.**



HGSI



HTDI



HDI

***B**, See Page 12, Fig. A

Table I

MODEL #	CARTON WEIGHT Pounds	HEIGHT H Min. to Max.	CANOPY HT A	TRANSITION HT T	WIDTH W	DEPTH D	DUCT CFM SIZE (Inches)	FILTER SIZE (Sq Inch)	LIGHTS		ELECTRICAL		
									# OF	Lights Watts	Motor Watts	Total Amps	
HGSI42	132	30" - 41-1/2"	14-1/4"	19-1/4"	42"	27-9/16"	6"	400	166	4	80W	230W	3A
HTDI42	99	33" - 47"	15-3/4"	18-3/4"	42"	35-7/16"	8"	770	427	4	80W	460W	4.5A
HTDI48	115	33" - 47"	15-3/4"	18-3/4"	48"	35-7/16"	8"	770	640	4	80W	460W	4.5A
HTDI54	128	33" - 47"	15-3/4"	18-3/4"	54"	35-7/16"	8"	770	854	4	80W	460W	4.5A
HD142	86	33" - 49"	11-1/2"	16-5/8"	42"	27"	8"	770	320	2	18W	460W	4.9A
HD148	97	33" - 49"	11-1/2"	16-5/8"	48"	27"	8"	770	427	2	18W	460W	4.9A
HD154	104	33" - 49"	11-1/2"	16-5/8"	54"	27"	8"	770	427	2	18W	460W	4.9A
											Voltage 120V AC 60Hz		

PARTS INCLUDED WITH YOUR HOOD

- Hood Canopy Assembly with Ventilator and Light Bulbs Installed
- Care & Use /Installation Instructions
- Registration Card
- Filters, 1, 4, 6 or 8 depending on model and size
- Plastic Transition with Back draft dampers installed
- Screws
- Mounting Templet
- 2 or 3 Piece Duct Cover, depending on model
- Contents Sheet

PARTS NOT INCLUDED WITH YOUR HOOD

- Metal Transition if required
HGTR6 for HGSI model
HDTR8 for all other models
- Duct Tape
- 1/2" Conduit
- Wire Nuts
- Ducting

CONSIDERATIONS BEFORE INSTALLING HOOD

1. For the most efficient air flow exhaust, use a straight run or as few elbows as possible.

CAUTION: Vent unit to outside of building, only.

2. Do not use flex ducting.
3. COLD WEATHER installations should have an additional backdraft damper installed to minimize backward cold air flow and a nonmetallic thermal break to minimize conduction of outside temperatures as part of the ductwork. The damper should be on the cold air side of the thermal break. The break should be as close as possible to where the ducting enters the heated portion of the house.
4. Hood installation height above cooktop is the user's preference P. The lower the hood above the cooktop, the more efficient the capturing of cooking odors, grease and smoke. Be sure that your hood model fits your installation.

K	=	Kitchen Height
C	=	Counter Height (36" standard)
P	=	Preferred Height of Hood Bottom above counter
A	=	Canopy Height (Table 1)
H	=	Hood Height, your installation = $K - C - P$
B	=	Chimney Structure Height, your installation. = $H - A$

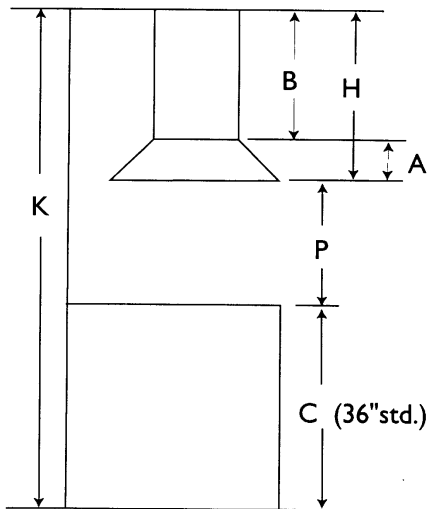


FIG. A

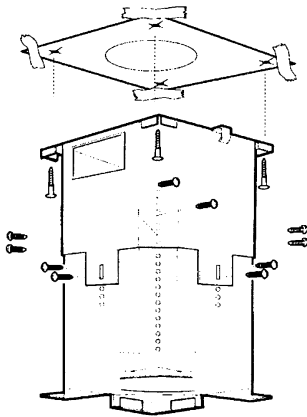
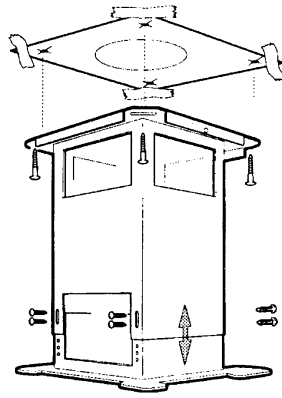


FIG. B

HTDI



HGSI and HDI

PREPARATION OF MOUNTING SURFACE - Installing supports above ceiling drywall.

1. A) Select a hood preference height **P** above the cooktop that is comfortable for the user. (Fig. A.) Thermador recommends a distance of 30"-36" between the countertop and bottom of hood.
B) Calculate chimney structure height **B** by using formulas in Fig. A and dimensions in Table I.

Note: Take into consideration the hood depth. Some models are much deeper than the cooktop.

2. Mark centerline of cooktop or range on ceiling above. Use centerlines marked on ceiling to position the mounting template. Note location of hood front side and mounting holes indicated on template.
3. Remove and save template. Cut and remove ceiling drywall. Install 2" x 4" lumber between joists to provide chimney mounting points as shown in Fig. C and D. Use template for dimensions and required clearance.

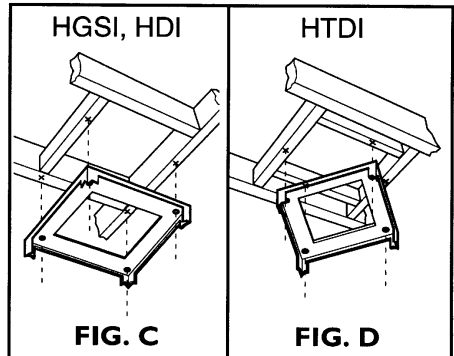


FIG. C

FIG. D

Note the weight of the appliance (see Table I). Make sure to affix the added lumber firmly and level. Consult a professional if you have difficulties or your installation is unique.

4. Install exhaust duct (see Table I for size). Female end shall be 4-1/2" below finished ceiling and securely fastened to joists. Do not use duct smaller than specified.
5. Install 1/2" electrical conduit in location marked on template and extend length **B** from ceiling.
6. Install drywall around duct and conduit; then refinish ceiling.
7. Tape Template in place.

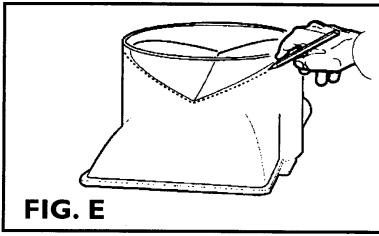


FIG. E

APPLIANCE INSTALLATION:

(Note: Three people may be required for proper installation of HTDI and two people may be needed for HGSI and HDI).

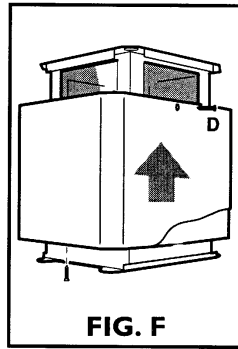


FIG. F

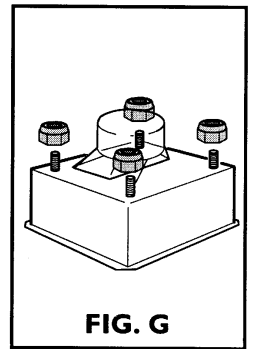


FIG. G

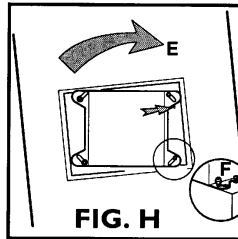


FIG. H

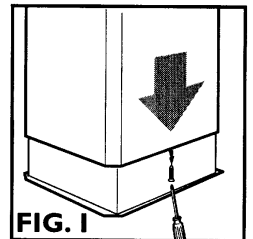


FIG. I

1. Install transition to top of hood (if removed for shipping). Snap damper into transition, foam tape side up, with firm pressure at either end. Mark onto exterior of transition the 'V' location of the damper within. See Fig. E.
2. Adjust chimney mounting structure to **B** dimension as determined in Step 1, page 5. Use 2 screws per attachment leg. For HTDI use a minimum of 12 screws. See Fig. B. Do not fasten to ceiling now.
3. Set chimney mounting structure on top of hood canopy. Attach nuts loosely. See Fig. G and H.
4. Fit duct piece on transition so that top end is 5-1/2" below top of chimney structure, male end up.
5. Remove chimney structure from hood canopy.
6. Install Ducting. For HDI and HGSI hoods fasten duct to transition with screws and tape per code. Loosely

fasten starter collar (included) flush to top of duct. Note: screws must not hamper the damper.

For HTDI hood fasten duct to ceiling with screws and tape per code. Loosely fasten starter collar (included) flush to bottom of duct.

7. To install Chimney Structure to ceiling, use a 10mm or adjustable wrench or flat head screwdriver. Drill pilot holes into ceiling. Remove Template. Attach mounting structure to joists with the 4 lag screws provided. (Keep 1/2" conduit inside structure.) See Fig. B.
8. Remove Chimney Cover's plastic protective film. Reassemble and fasten all 3 covers together with one vertical screw. See Fig. F. Slide over chimney structure and secure with 2 screws near ceiling.

9. **To fasten the canopy** use a 10mm or adjustable wrench. The HGSI glass canopy may be removed if desired. For the HDI and HGSI hood, affix nuts to top of canopy. **Do not tighten.** Raise canopy up to chimney structure and twist in place. See Fig. H. Tighten nuts securely.

For the HDTI hood remove J-box cover and J-box KO. Raise canopy and affix and tighten nuts securely. Make sure junction box fits through slot in chimney structure.

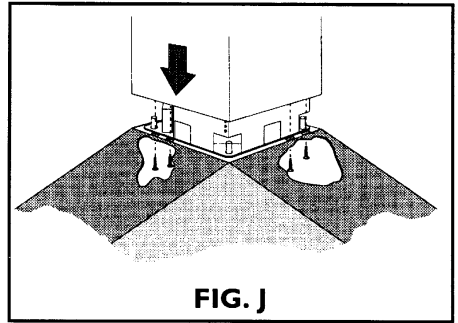


FIG. J

with 2 screws if not already fastened. Fig. F. Remove one vertical screw holding covers together. See Fig. I.

10. **Ducting for all units:** There should be no more than 1" gap between canopy ducting and house ducting. Adjust starting collar over both ducts. Tighten collar. Fasten duct with screws and tape per code. Make final angular adjustment to unit at ceiling if necessary, then securely tighten 4 ceiling lag screws if not already tightened. For HTDI model be sure to locate screws below damper lines drawn on transition in Step 1. Chimney cover must be lowered to do this.

Gently slide the outer and middle covers down and set on canopy. Raise the middle cover, align holes with lower cover and insert pin or wire to temporarily hold up. Fasten covers together using 2 screws through holes to permanently hold up.

NOTE: Do not overtighten and deform metal.

In model HTDI, if the hood installation height **H** is less than 36-3/4", the middle cover will not be raised. Instead the middle cover is located behind the bottom cover and no horizontal screws are used.

11. **To connect conduit and wiring** see Wiring section on page 8. Then replace cover.
12. **For final Chimney Cover installation, DO NOT USE ELECTRIC SCREW DRIVER.** Raise chimney covers and fasten in place

13. **In model HTDI fasten lower chimney cover** to canopy from inside the hood with 8 screws included. See Fig. J.

WIRING:

Warning: Turn off power t circuit at the service panel before wiring this unit.

15- or 20-AMP circuit required.

Wiring to power supply:

1. Remove j-box cover as shown in Fig. K
2. Remove the knockout and install the strain relief (conduit) connector (1/2") in junction box.
3. Run 3 wires; black, white and green (#16 AWG) in 1/2" conduit from service panel to junction box.
4. Connect black wire from service panel to black or red in junction box, white to white and green to green-yellow. See Fig. K.
5. Close junction box cover, check all light bulbs to make sure they are secure in their sockets, then turn power on in service panel and check lights and blower operation per Care & Use section of this manual and install filters.
6. Be sure to leave this manual for the home owner.

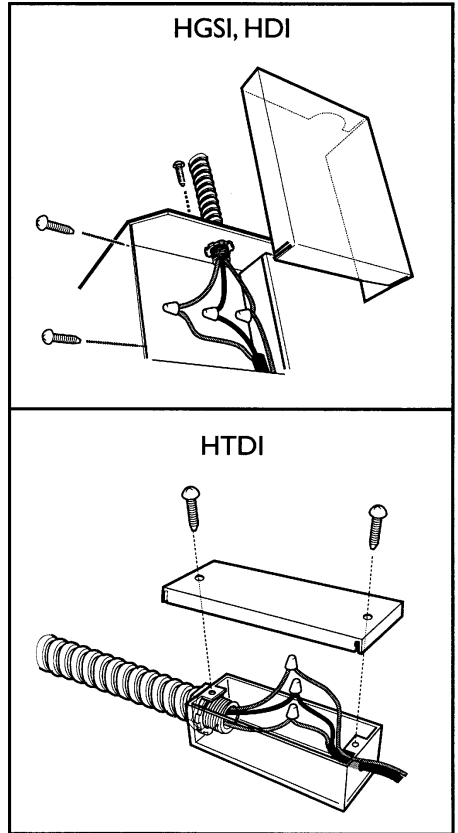


FIG.K