

PLEASE READ ENTIRE INSTRUCTIONS BEFORE PROCEEDING.

INSTALLATION MUST COMPLY WITH ALL LOCAL CODES.

IMPORTANT: Save these Instructions for the Local Electrical Inspector's use.

INSTALLER: Please leave these Instructions with this unit for the owner.

OWNER: Please retain these instructions for future reference.

- INSTALLATION:
- Requires remote blower model VTR1000Q or VTR1400Q.
 - Requires Transition from 8" duct at hood to 10" duct at remote blower
 - Requires 5-wire installation from remote blower to hood.
 - Power supply required: 120V, 60Hz, 15A min

IMPORTANT SAFETY INSTRUCTIONS

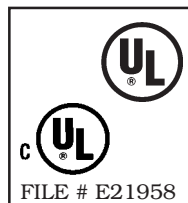
WARNING - TO REDUCE THE RISK OF FIRE, ELECTRIC SHOCK, OR INJURY TO PERSONS, OBSERVE THE FOLLOWING:

CAUTION: FOR GENERAL VENTILATING USE ONLY. DO NOT USE TO EXHAUST HAZARDOUS OR EXPLOSIVE MATERIALS OR VAPORS.

- A. Use this unit only in the manner intended by the manufacturer. If you have questions, contact the manufacturer.
- B. Before servicing or cleaning unit, switch power off at service panel and lock the service disconnecting means to prevent power from being switched on accidentally. When the service disconnecting means cannot be locked, securely fasten a prominent warning device, such as a tag, to the service panel.
- C. Installation work and electrical wiring must be done by qualified person(s) in accordance with all applicable codes & standards, including fire-rated construction.
- D. Sufficient air is needed for proper combustion and exhausting of gases

through the flue (chimney) of fuel burning equipment to prevent back drafting. Follow the heating equipment manufacturers guideline and safety standards such as those published by the National Fire Protection Association (NFPA), and the American Society for Heating, Refrigeration and Air Conditioning Engineers (ASHRAE), and the local code authorities.

- E. Due to size and weight of this unit two installers are recommended.
- F. When cutting or drilling into wall or ceiling, do not damage electrical wiring and other hidden utilities.
- G. CAUTION - To reduce risk of fire and to properly exhaust air, be sure to duct air outside. Do not vent exhaust air into spaces within walls, ceilings, attics, crawl, spaces or garages.
- H. Install this hood in accordance with all requirements specified by the manufacturer of your cooktop/range.
- I. **WARNING - TO REDUCE THE RISK OF FIRE, USE ONLY METAL DUCT WORK.**



READ AND SAVE THESE INSTRUCTIONS

LES INSTRUCTIONS DE SÉCURITÉ IMPORTANTES

Avertissement de Sécurité:

Avant l'entretien ou le nettoyage de l'appareil, couper le courant au tableau de service, et fermer à clef la moyenne de débrayage de service pour empêcher l'alimentation d'être allumée par hasard. Quand la moyenne de débrayage de service ne peut pas être fermée à clef, attacher une étiquette au tableau de service pour indiquer que l'alimen

AVERTISSEMENT - POUR RÉDUIRE LE RISQUE D'INCENDIE, DE CHOC ÉLECTRIQUE, OU DE LA BLESSURE AUX PERSONNES, OBSERVER LE SUIVANT:

ATTENTION: SEULEMENT POUR L'UTILISATION D'AÉRATION. NE PAS L'UTILISER POUR ÉPUISER LA VAPEUR OU LES MATIÈRES EXPLOSIVES OU DANGEREUSES.

- A. Utiliser cet appareil seulement dans la manière destinée par le fabricant. Si vous avez des questions, contacter le fabricant.
- B. Avant l'installation, l'entretien ou le nettoyage de l'appareil, couper le courant au tableau de service, et fermer à clef le tableau de service pour empêcher l'alimentation d'être allumée par hasard.
- C. Le Travail d'Installation et de Câblage Électrique Doit Être Fait Par les Personne(s) Qualifiées

- D. L'écoulement comburant pour le fonctionnement sûr du matériel de la combustion du combustible peut être affecté par le fonctionne- ment de cet appareil. Suivre la directive des fabricants du matériel chauffant et les normes de sécurité tel que ceux publiées par l'Association du Protection de Feu National (NFPA), et la Société Américaine pour les Ingénieurs de Chauffage, de Réfrigération et de Climatisation (ASHRAE), et les autorités des codes locales.
- E. Par suite de la dimension et le poids de cet appareil, deux installateurs sont recommandés.
- F. En coupant ou en forant dans un mur ou dans un plafond, ne pas endommager le câblage électrique et des autres utilités cachées.
- G. Les ventilateurs canalisés doivent être toujours déchargés à l'extérieur et vers le haut. Ne pas décharger au grenier ou au vide sanitaire.
- H. Installer ce capot conformément aux toutes exigences spécifiées par le fabricant de votre cooktop/ cuisinière.

Parts Included with your Hood

- Hood Canopy Assembly with Light Bulbs Installed
- Care & Use /Installation Instructions
- Registration Card
- Filters number depends on model and size
- Metal Transition
- Screws
- Mounting Template
- 2 or 3 Piece Duct Cover, depending on model
- Contents Sheet

Parts Not Included with your Hood

- Duct Tape
- 1/2" Conduit
- Wire Nuts
- Ducting

CONSIDERATIONS BEFORE INSTALLING HOOD

1. For the most efficient air flow exhaust, use a straight run or as few elbows as possible.

CAUTION: Vent unit to outside of building, only.

2. Do not use flex ducting.
3. **COLD WEATHER** installations should have an additional backdraft damper installed to minimize backward cold air flow and a nonmetallic thermal break to minimize conduction of outside temperatures as part of the ductwork. The damper should be on the cold air side of the thermal break. The break should be as close as possible to where the ducting enters the heated portion of the house.
4. Hood installation height above cooktop is the user's preference P. The closer the hood is to the cooktop the more efficient it will be in capturing of cooking odors, grease and smoke. Be sure the hood model fits your installation.

K = Kitchen Height
C = Counter Height (36" standard)
P = Installation Height of Hood above countertop
A = Canopy Height (Table I)
= Hood Height, your installation
 $H = K - C - P$
B = Chimney Structure Height, your installation.
 $= H - A$

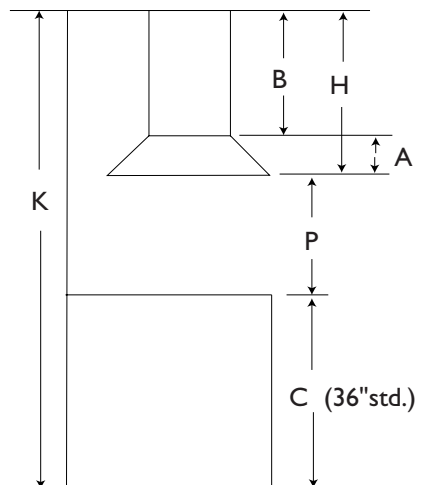


Fig. A

PREPARATION OF MOUNTING SURFACE

1. A) Select a hood installation height **P** above the cooktop that is comfortable for the user.

Thermador recommends a distance of 30"-36" between the countertop and bottom of the hood.

B) Compute the hood height **H** by using Fig. A. If the hood height is out of the range specified in table I select a new installation height **P**.

C) Calculate chimney structure height **B** by using formulas in Fig. A and dimensions in Table I.

Note: Take into consideration the hood depth; some models are much deeper than the cooktop.

2. Mark center lines of cooktop or range on ceiling above. Use centerlines marked on ceiling to position the mounting template. Note location of hood front side and mounting holes indicated on template.
3. Remove and save template. Cut and remove ceiling drywall. Install suitable length 2" x 4" lumber between joists to provide chimney mounting points as shown in Fig. C and D. Use template for dimensions and required clearance.

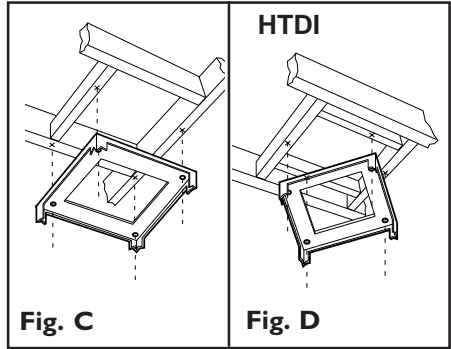


Fig. C

Fig. D

Note the weight of the appliance (see Table I). Make sure to affix the added lumber firmly and level. Consult a professional if you have difficulties or your installation is unique. Consult template and Figs. B, C, D.

4. REMOTE VENTILATOR AND DUCT INSTALLATION. Refer to instructions shipped with remote ventilator model VTR1000Q or VTR1400Q for installation of remote blower and ducting. The remote ventilator inlet fits 10" round duct. Transition down to 8" round for clearance in the chimney structure shown in Fig. B. Female end shall be 4-1/2" below finished ceiling and securely fastened to joists.

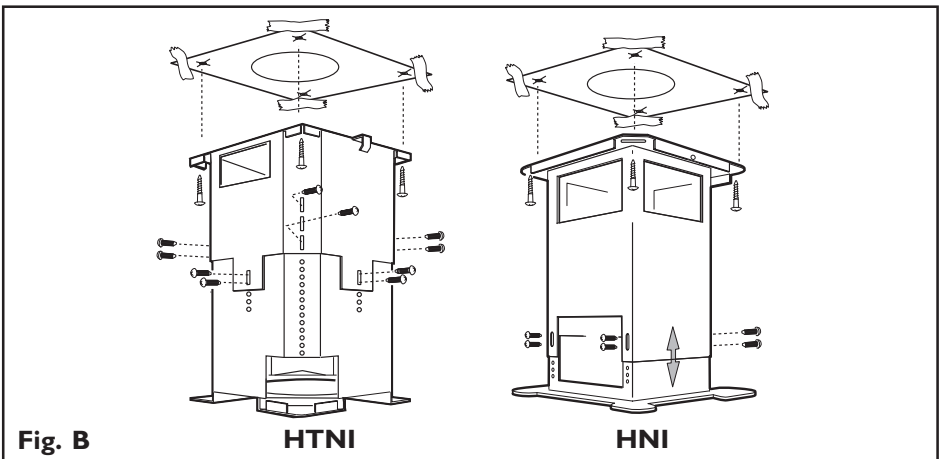


Fig. B

HTNI

HNI

5. Install wiring for remote ventilator and power supply. See electrical Installation on page 9. The conduit for the remote ventilator and power supply must extend a distance B (see Fig. A) from the ceiling to reach the hood junction box.
6. Install drywall around duct and conduit. Finish drywall surface to match ceiling.
7. Tape mounting template to ceiling using centerlines for alignment.

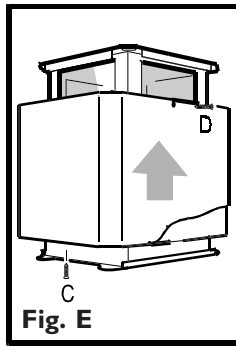


Fig. E

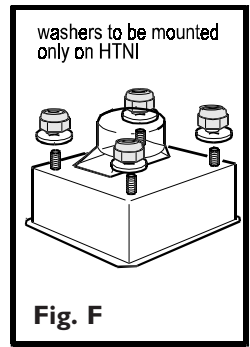


Fig. F

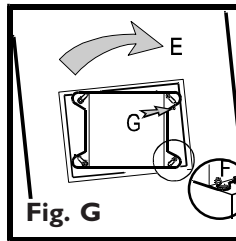


Fig. G

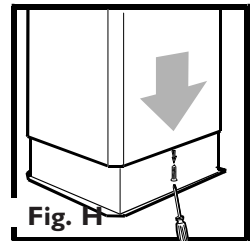


Fig. H

Appliance Installation: (Note: three people may be required for proper installation of HTNI, two people for the HNI).

1. Install transition to top of hood (if removed for shipping).
2. Adjust chimney mounting structure to **B** dimension as determined in Step 1, page 5. Use 2 screws per attachment leg. For HTNI use a minimum of 12 screws. See Fig. B. Do not fasten to ceiling now.
3. Set chimney mounting structure on top of hood canopy. Attach nuts loosely. See Fig. F and G.
4. Fit duct piece on transition so that top end is 5-1/2" below top of chimney structure, male end up.
5. Remove chimney structure from hood canopy.
6. **Install Ducting.** For HNI hoods fasten duct to transition with screws and tape per code. Loosely fasten starter collar (included) flush to top of duct.

7. **To install Chimney Structure** to ceiling, use a 10mm or adjustable wrench or flat head screwdriver. Drill pilot holes into ceiling. Attach mounting structure to joists with the 4 lag screws provided. (Keep 1/2" conduit inside structure.) See Fig. B.
8. **Remove Chimney Cover's plastic protective film.** Reassemble and fasten all 3 covers together with one vertical screw. See Fig. E. Slide over chimney structure and secure with 2 screws near ceiling.
9. **To fasten the canopy** use a 10mm or adjustable wrench. Attach nuts (with washers on HTNI) to top of canopy .

For HTNI hoods fasten duct to ceiling with screws and tape per code. Loosely fasten starter collar (included) flush to bottom of duct.

Do not tighten. Raise canopy up to chimney structure and twist in place. See Fig. G. Tighten nuts securely.

10. **Ducting for all units:** There should be no more than 1" gap between canopy ducting and house ducting. Adjust starting collar over both ducts. Tighten collar. Fasten duct with screws and tape per code. Make final angular adjustment to unit at ceiling if necessary, then securely tighten 4 ceiling lag screws if not already tightened. Chimney cover must be lowered to do this.

11. **To connect conduit and wiring** see Wiring section on page 9. Then replace J-box cover.

12. **For final Chimney Cover installation, DO NOT USE ELECTRIC SCREW DRIVER.** Raise chimney covers and fasten in place with 2 screws if not already fastened. Fig. E. Remove one vertical screw holding covers together. See Fig. H.

Gently slide the outer and middle covers down and set on canopy. Raise the middle cover, align holes with lower cover and insert pin or wire to temporarily hold up. Fasten covers together using 2 screws provided.

NOTE: Do not overtighten and deform metal.

In model HTNI, if the hood installation height **H** is less than 36-3/4", the middle cover will not be raised. Instead the middle cover is located behind the bottom cover and no horizontal screws are used.

13. **In model HTNI fasten lower chimney cover** to canopy from inside the hood with 8 screws included. See Fig. I.

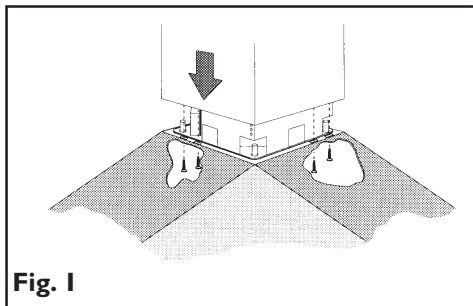


Fig. I

ELECTRICAL INSTALLATION

Warning: Switch power off at service panel and lock the service disconnecting means before wiring this unit.

Wiring Remote Ventilator VTRI000Q or VTRI400Q:

1. Run five wires #14 AWG (black, white, blue, red, and green) in 1/2" conduit from the remote ventilator to the hood.
2. Install conduit connector at the end of the conduit. Remove the knockout on top of the junction box. Attach conduit connector to the junction box.
3. Use the four wire bundle and ground wire in the junction box for connecting to the remote ventilator wires. Connect black wire from the remote ventilator to the black wire in the junction box, red to red, blue to blue, white to white, and green to green. Do not connect to the power supply wire bundle containing a black and white wire. See Figure J.

Wiring To Power Supply:

1. Installation requires a 15A circuit. Run three wires: black, white, and green using #14 AWG from the service panel to the junction box.
2. Remove junction box cover as shown in Figure J.
3. Remove the knockout and install 1/2" conduit connector.
4. Connect black wire from service panel to black in junction box, white to white, and green to green. See Figure J.
5. Close junction box cover.

