

# Island Hood DIE165RUC

## Ventilation Spec Sheet



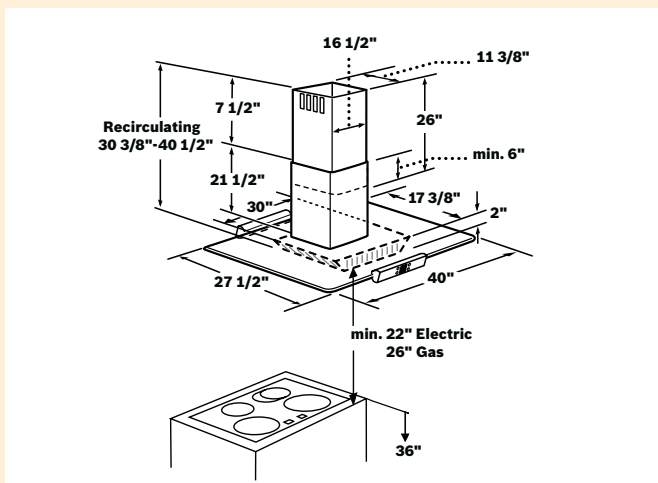
**DIE165RC**


<b>Product Name</b>	<b>Island Hood</b>
Model Number	<b>DIE165RUC</b>
<b>Appearance</b>	Stainless with Tempered Glass
Controls	Push Button, 7 Segment Display
Lighting	4 Halogen
Touch & Turn® Control	•
<b>Technical</b>	
Speed Settings	4
Maximum CFM	600
Duct Size	6"
Vertical Discharge	•
Electrical Requirements	120 VAC, 60Hz
Amps	15A
Approximate Shipping Weight (lbs.)	116
Mounting Height	22" Over electric Cooktop 25 1/2" Over Gas Cooktop
Dimensions	40"W x 27 1/1" D x 28 1/2" – 41 5/16"H

### Features & Benefits

- 600 CFM Powerful Ventilation
- Touch&Turn® for Ease of Use
- Digital Display
- Control Panels on Two Sides for Easy Access from Both Sides of Island
- Stainless Steel Construction, with Smoked Tempered Glass Canopy

### Dimensions:



 Ventilation is UL approved. Notes: All height, width and depth dimensions are shown in inches. \*Please refer to installation instructions prior to mounting to ceiling. BSH reserves the absolute and unrestricted right to change product materials and specifications, at any time, without notice. Consult the product's installation instructions for final dimensional data and other details. Applicable product warranty can be found in accompanying product literature or you may contact your account manager for further details.

**For more information on our entire line of products, go to [boschappliances.com](http://boschappliances.com) or call 1-800-944-2904.**

Copyright ©2007 BSH Home Appliances Corporation. All rights reserved. Bosch is a registered trademark of Robert Bosch GmbH.