

**MASTERPIECE DELUXE**  
30" WALL HOOD  
HMWN30FS

**Thermador**® | *An American Icon*®

**FEATURES & BENEFITS**

Choose from external, inline or integrated blowers.

Classic edgy design perfectly coordinates with Thermador's entire family of kitchen appliances.

Delay shut-off mode automatically turns off the blower after 10 minutes of operation.

Convenient indicator light alerts you when the filter needs cleaning.

Stainless steel filters efficiently capture grease and are dishwasher safe.

Four power settings offer a full range of ventilation levels.

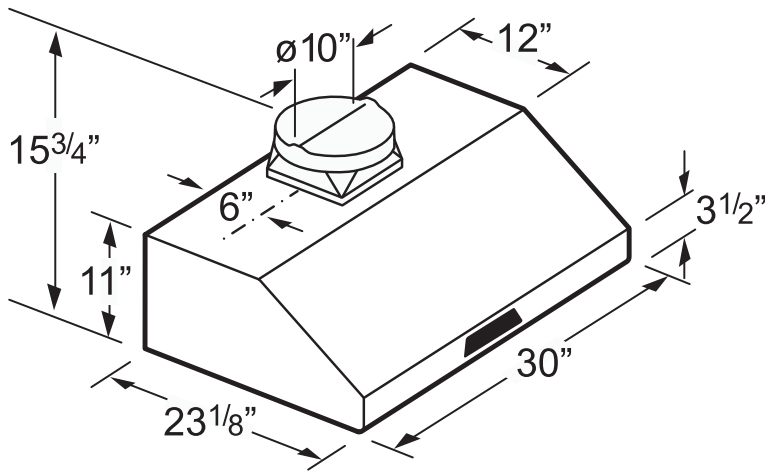
Halogen lighting brilliantly illuminates the cooking surface.

Easy-access electronic controls feature a 7-segment display for easy monitoring.



**MASTERPIECE DELUXE**  
**30" WALL HOOD**  
**HMWN30FS**

**Thermador**® | *An American Icon*®



SKU	HMWN30FS
Available Sizes (Width)	30", 36", 48"
Hood Dimensions	30" W x 11"H x 23 1/8"D
Color / Finish	Brushed Stainless Steel
Installation Type	Wall
Blower Type	Purchased Separately

**HOOD INFORMATION**

Duct Size At Discharge	10" Round
Ducting Direction	Vertical
Halogen Lights	2 x 50 Watt
Filter Type	Low-profile Stainless Steel Baffle
Number of Dishwasher Safe Filters	2
Backdraft Damper	Included with Hood
Recirculation Kit	RECIRC30FS*
Minimum Height Above Cooktop	30" Electric, 30" Gas
Control Type	Electronic Touch Control
Fan Speeds	3 + Intensive
Automatic Run-on Time (Delayed Shut-off)	10 Minutes
Filter Saturation Indicator	Electronic
Welded and Polished Seams	yes
Recommended for these Thermador Cooktops and Ranges	Non-professional gas, electric, or induction cooktops

**MOTOR INFORMATION**

Required Power Supply	15 Amps (min) 120 VAC, 60 Hz
-----------------------	------------------------------

**BLOWER OPTIONS**  
(purchased separately)

Remote (Wall or Roof mounting)

VTR630D-600 CFM, 6" Duct Inlet	14 3/8"W x 19"H x 10 3/4"D
VTR1030D-1000 CFM, 10" Duct Inlet	19 7/8" W x 20 3/4"H x 12 1/8"D

**Inline**

VTI610D-600 CFM, 6" Duct Inlet	14 1/2"W x 12 3/4"H x 9 7/8"D
VTI1010D-1000 CFM, 10" Duct Inlet	19 1/8"W x 14 3/8"H x 12"D

**Integrated**

VTN600F-600 CFM, 10" Duct	16"W x 8 3/8"H x 9"D
---------------------------	----------------------

**BLOWER INSTALLATION ACCESSORIES**

Roof Plate - Required for roof mount of remote blowers	RFPLT600 - 600 CFM Blowers, RFPTL1000 - 1000CFM & 1300CFM Blowers
--	---

**OPTIONAL ACCESSORIES**

6" Stainless Chimney Extension	DC_ _US (30, 36, 48)
12" Stainless Chimney Extension	DCT_ _US (30, 36, 48)
Replacement Charcoal Filter Kit (for hoods used in recirculation mode only)	CHFILT3036

\*Recirculation option available with 600 CFM blowers only