

**FELIX STORCH, INC.  
SUMMIT APPLIANCE DIVISION®**

**INSTRUCTION MANUAL FOR MODEL:**

**SCFF-55**



**ALL-FREEZER**

## **\*BEFORE PUTTING INTO USE\***

- ✚ **Before connecting the appliance to the power supply, leave it standing for about 2 hours, this will reduce the possibility of malfunctions in the cooling system due to transport handling.**
- ✚ Clean the appliance thoroughly; especially in the interior (See Cleaning and Maintenance).
- ✚ In case the interior accessories are not correctly placed, rearrange them as described on pages 7-10 (Description of the Appliance).

### **Instructions for Use**

These instructions for use are intended for the user. They describe the appliance and the correct and safe way to use it. **The instructions were prepared for various types/models of freezers therefore you may find in it descriptions of some accessories and functions that your appliance may not have.**

### **Mounting Instructions**

Integrated appliances are equipped with instructions for mounting the appliance into the kitchen unit. **The appliance should be mounted by qualified technicians and instructions are for their use only.**

## **We Care for the Environment**

---

- ✚ Our appliances are distributed in packaging made of environmental friendly material which could safely be recycled, disposed of or destroyed without any effects on the environment whatsoever.
- ✚ Our instruction manuals are printed either on recycled paper or chlorine free bleached paper.

## **Tips for Energy Savings**

---

- ✚ Try not to open the door too often, especially when the weather is hot and humid. Once you open the door try to close it as soon as possible.
- ✚ Every now and then check if the appliance is sufficiently ventilated (adequate air circulation behind the appliance).
- ✚ Set thermostat from higher to lower settings as soon as possible (depending on how loaded the appliance is, ambient temperature etc...).
- ✚ The coils on the rear of the refrigerator should be cleaned and free of dust or any impurities.
- ✚ Always consider instructions stated in sections Positioning and Energy Saving Tips, otherwise the energy consumption is substantially higher.

## IMPORTANT

---

- ✚ If you bought this appliance to replace an old one equipped with a lock that cannot be opened from inside (lock, bolt), **make sure that the lock is broken. This will make it impossible for children to lock themselves inside the appliance and suffocate.**
- ✚ The appliance must be *correctly* connected to the power supply.
- ✚ If the food has a strange smell or color throw it away because it is very likely that it is spoiled and therefore dangerous to eat.
- ✚ Disconnect the appliance from the power supply before repairing (**only a qualified technician should repair it**), cleaning and before replacing the light bulb.
- ✚ Use only enclosed tools or tools recommended by the manufacturer.
- ✚ **Before throwing away your old freezer please remove the doors and leave the shelves in place so that children may not easily climb inside.**
- ✚ The rating plate is inside the appliance or outside on the rear wall.

## Disposing of the Worn Out Appliance

---

- ✚ When your appliance finally wears out, dispose of it. **If the appliance has a lock, break it to prevent eventual accidents (the danger of children getting locked inside the appliance).**
- ✚ The freezing system of the appliance is filled with refrigerant and insulating substances which should be separately treated and processed, you should call your nearest authorized service agent or specialized servicing center if they cannot be contacted call your local authorities or your distributor to remove the freezer. **Be careful not to damage the tubes on the rear wall of the appliance (danger of pollution).**

# PLACING AND INSTALLATION

---

- ✚ It is important to make sure the appliance is leveled evenly to prevent falling.
- ✚ **Two spacers attached to the appliance must be fitted onto the upper edge of the condenser, thus preventing the appliance from being installed too close to the wall.** Spacers are manufactured for all-purpose functions depending on the distance of the condenser from the wall. Therefore turn spacers correspondingly and adjust them accordingly to the appliance.

## Connection to Power Supply

---

Connect the appliance with the cable and plug to the power supply socket outlet with a ground terminal (safety socket).

**“DO NOT USE AN EXTENSION CORD.”**

Required nominal voltage and frequency are indicated on the rating plate.

The connection to the power supply and grounding has to be made according to current standards and regulations. The appliance resists temporary voltage tolerance up to -15 to 10%.

## Operation Control

---

**The freezer is controlled with a thermostat knob located in the upper right hand corner of your refrigerator.**

## Temperature Selection

---

- ✚ **Higher settings on the knob (towards 7) mean colder temperatures** in all compartments of the appliance. The temperature in the interior of the appliance may even drop below 32°F. Use the higher thermostat setting only when required or recommended. We recommend that you set your thermostat in the middle for standard temperature.
- ✚ Changing the thermostat will affect the temperature inside of the appliance; therefore choose your temperature wisely.
- ✚ **When the thermostat is on the STOP (0) position the appliance does not operate.**
- ✚ Temperature in the freezer also depends on how often you open the door.

## STORING FRESH FOODS

---

- ✚ Food to be stored in the freezer should be properly packed as to prevent mixing various moisture degrees and odors (in polyethylene bags or sheet, aluminum foil, wax paper, covered containers or bottles).
- ✚ **Never store any inflammable, volatile or explosive substances.**
- ✚ **Food should not touch the rear wall of the freezer.**
- ✚ Some organic solutions like volatile oils in lemon and orange peel, acid in butter etc. can cause damages when in contact with plastic surfaces or gaskets for a long period of time.
- ✚ An unpleasant odor inside the freezer is a sign that something is wrong with the food or that your freezer needs cleaning. Odors may be eliminated or reduced by washing the interior of the freezer with a mild solution of water and vinegar. We also recommend using activated carbon filters to clean the air or to neutralize odors.
- ✚ If you plan on taking a long trip make sure you remove all perishable food before you leave to prevent any odors.

# SELF-DEFROSTING

---

There is no need to defrost the freezer, because this appliance is self-defrosting.

## Cleaning the Appliance

---

Disconnect the power supply before cleaning the appliance. Do not use coarse or aggressive cleaning agents as you can damage the surface.

- ✚ Clean the **exterior** with water and a mild detergent. Varnished surfaces are cleaned with soft cloth and a non-abrasive cleaning agent (for example glass cleaners). **You may also use stainless steel cleaner if you have a stainless steel model.**
- ✚ Remove the detachable accessories in the interior of the appliance and clean it with water and liquid detergent. Plastic parts **cannot** be washed in a washing machine.
- ✚ **Wash the interior of the appliance with lukewarm water, in which you add one or two spoonfuls of vinegar.**

## Switch Off the Appliance When Not in Use

---

**If you do not intend to use the appliance for an extensive period of time set the thermostat knob to the STOP (0) position and disconnect the power supply. Then take out the food and clean the appliance. Leave the door slightly open.**

# **TROUBLE-SHOOTING GUIDE**

---

During the service of your appliance, you can come across some trouble that in most cases result from improper handling of the appliance that can easily be eliminated.

**Appliance Fails to Operate After Connecting to the Power Supply:**

Check the supply in the outlet socket and make sure the appliance is switched on (thermostat in the operating position).

**Water is Leaking from the freezer:**

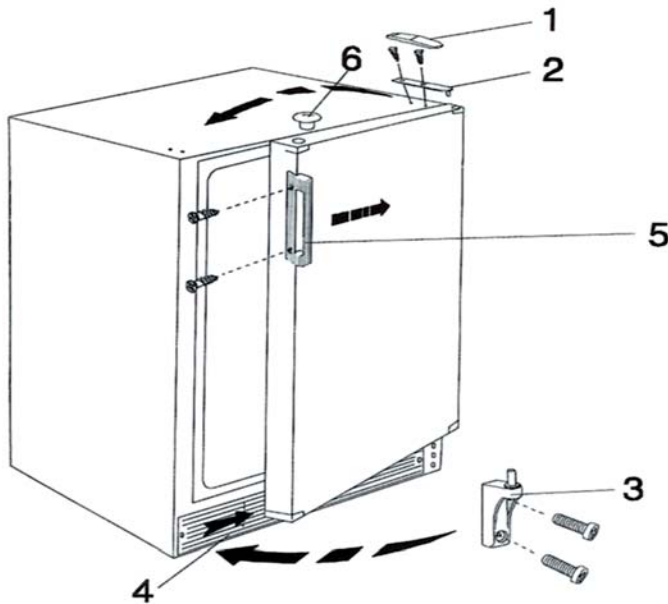
In case the discharged water outlet is clogged, the defrost water drips over the channel or water leaks from the freezer, **just clean the clogged opening with a plastic straw. Manually defrost the increased ice layer. See “Ice Formation on the Inner Back Wall”.**

## **DOOR SWING REVERSAL**

**(Stainless steel models with towel bar handles do not have reversible doors.)**

If you find the direction of opening the door on your appliance inconvenient, you can change it. Holes on the opposite side have already been prepared at the factory

- 1. Remove the top hinge cover and hinge (on models with a tabletop, remove the bottom hinge instead).**
- 2. Next remove the door and remove the bottom hinge.**
- 3. Then remove the kick plate, slide it over to the opposite side and secure in place.**
- 4. Place the lower hinge on the opposite side of the unit and reattach the door,**
- 5. Reattach the top hinge on the opposite side of the unit, it should be aligned with the bottom hinge**
- 6. Remove handle by unscrewing, place on the opposite side and secure in place.**
- 7. Insert plugs into the holes where the door was initially attached.**
- 8. Check to make sure the door seals properly.  
(If it does not, use a hair dryer set on medium to expand the gasket.)**



- 
- |                             |                      |
|-----------------------------|----------------------|
| <b>1. Upper hinge cover</b> | <b>4. Kick plate</b> |
| <b>2. Upper hinge</b>       | <b>5. Handle</b>     |
| <b>3. Lower hinge</b>       | <b>6. Hole Plugs</b> |
-



# NOISE

- ✚ During the operation of the compressor, a liquid noise is heard and when the compressor is not operating a refrigerant flow is heard. This is a normal condition and it has no influence whatsoever on the lifetime of the appliance.
- ✚ **After starting the appliance, the operation of the compressor and the refrigerant flow may be louder and this does not mean something is wrong with the appliance. The noise will reduce gradually, this will not affect the lifetime of the appliance.**
- ✚ Sometimes unusual and strong noises occur which is rather unusual for the appliance. This noise is often a consequence of inadequate placing. To avoid the noise make sure the appliance is placed and leveled firmly on a solid base. **Make sure the appliance is not touching the wall or kitchen units standing next to it.** And always make sure you check the accessories in the interior of the appliance; they should be placed correctly in their positions. Check the bottles, tins and other vessels that might touch each other and rattle.

## **Before Calling for Service**

- ✚ **Check the plug and fuse.**
- ✚ **Test the outlet with a lamp**
- ✚ **Be sure the control is not set to OFF**
- ✚ Read the manual, especially the items under the Use and Care sections. You may find the answer to your questions.
- ✚ If you don't find the answer to your questions in this manual, find the unit model number (on the upper back of the refrigerator) and contact your Summit Appliance Dealer.

Specifications are Subject to Change Without  
Notice.