



SMEG USA INC.

A & D Building
7th Floor
150 East 58th Street
New York, NY 10155
www.smegusa.com
e-mail: info@smegusa.com

SMEG RESERVES THE RIGHT TO CHANGE SPECIFICATION WITHOUT NOTICE

12/2007 - USA



DISHWASHERS

THE SMEG PHILOSOPHY

*DISTINCTIVE DOMESTIC APPLIANCES BORN
FROM A COLLABORATION WITH LEADING
ARCHITECTS OF THE WORLD.*

*PRODUCTS THAT EXPRESS "MADE IN ITALY"
STYLE BY PERFECTLY COMBINING DESIGN,
PERFORMANCE, AND ATTENTION TO DETAIL.*

SMEG: TECHNOLOGY WITH STYLE.



DISHWASHERS

A DISHWASHER IS AN ESSENTIAL ITEM IN A MODERN KITCHEN. SMEG DISHWASHERS ARE AVAILABLE IN 5 CHOICES, WITH 3 DIVERSE STYLES AND SIZE OPTIONS INCLUDING 18", 24" AND ALSO A 36" HORIZONTAL DISHWASHER, A NEW CONCEPT IN THE AMERICAN MARKET. THE INNOVATIVE SMEG DISHWASHER DESIGN TEAM HAVE CAREFULLY RESEARCHED THE FUNDAMENTAL REQUIREMENTS OF THE MARKET AND CREATED APPLIANCES THAT PERFECTLY INCORPORATE HIGH PERFORMANCE, ERGONOMICS, AND EFFICIENCY WITH BEAUTIFUL DESIGN. COMBINING THE LATEST TECHNOLOGY WITH ELEGANT STYLE, THIS COMPEHENSIVE SERIES IS ABLE TO MEET THE NEEDS OF EVERY CONSUMER.



Style

Smeg has traditionally created high performance products, with beautiful aesthetics that are powered by intelligent technology. No exception has been spared when it comes to dishwashers. The five dishwashers in this series are both functional and stylish, each one incorporating advanced technology to create energy efficient machines with excellent wash and dry performances. The style options include one prefinished model with a full stainless steel door, crafted using high quality, thick, stainless steel with a fingerprint proof covering and a handle to match. There are 3 models available with full integrated door, allowing you to put on your own door panel to match the rest of the kitchen. There is one semi-integrated dishwasher option where the control panel is visible.



Electronic Display

A feature of all Smeg dishwashers is the smart electronic control panel, both eye-catching and user friendly. The electronic display shows the progress of the selected wash cycle and the current status of the salt and rinse aid dispensers. It also functions as a diagnostic system should you ever need to call for technical assistance. Smeg control panels are sophisticated yet extremely easy to use – on most models they are neatly concealed when the door is closed.





Orbital system

The quality of the wash in Smeg 24" dishwashers is enhanced by the unique **Orbital Wash System**. Consisting of a double spray arm at the base of the tub (one arm of standard size with a second smaller arm placed towards the end of the first arm) it distributes water evenly throughout the dishwasher tub as the arm moves in a contra-action rotation (one arm rotates clockwise whilst the other arm rotates anti-clockwise). Both spray arms have jets which are located to direct water for excellent washability and reduced noise level.



Shuttle system

The tub of the 18" dishwasher is rectangular rather than square, and for this reason the standard spray arm does not adequately spray the front and the back of the machine. It requires a special spray system, different to the Orbital Wash System. The **Shuttle Wash System**, patented by Smeg, was developed to overcome this problem. The lower spray arm is shuttled from front to back on a secondary supporting arm, ensuring optimum water distribution throughout the tub. Like the Orbital Wash System, the Shuttle Wash System has revolutionized dishwashing, delivering excellent wash results whilst maintaining low consumption of water and energy.



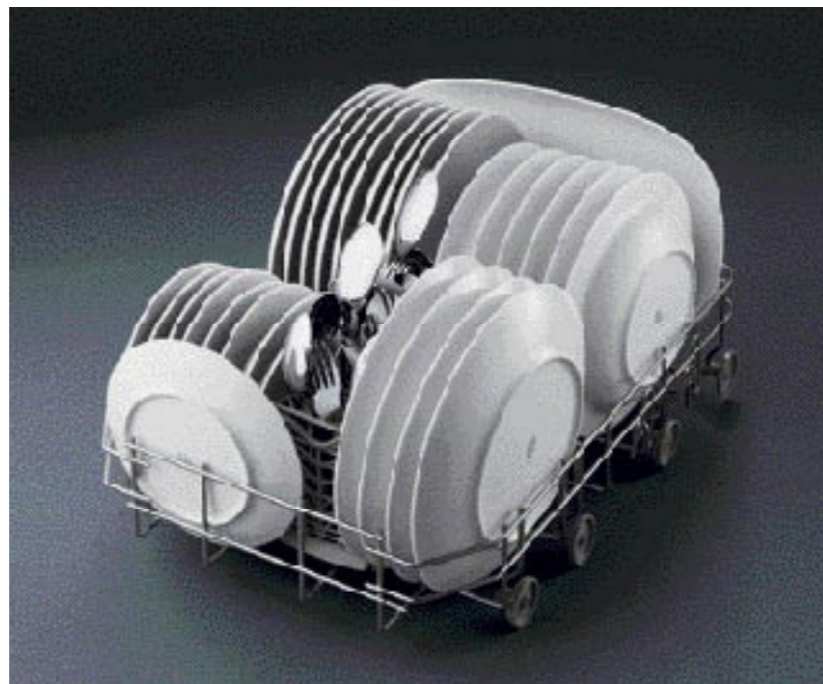
Load Capacity: 12 Place Settings

Smeg dishwasher baskets are made from stainless steel and covered in a protective layer of rilsan. Baskets made from this stylish material are unique to Smeg. Designed to optimize loading and wash efficiency, they have an "open space" design, also exclusive to Smeg which can accommodate up to 12 place settings. All models include one cutlery basket that can be separated in two or two cutlery baskets that can be placed anywhere inside either the upper or lower basket. The cutlery basket lid can be used as a divider to keep utensils separated, ensuring that they are perfectly washed. Various adjustable flip down tines, racks and extra cutlery supports in the upper and lower baskets can be employed to customize the layout of the basket, allowing you to adapt the baskets for each wash requirement. The upper basket can be adjusted higher or lower to accommodate taller items in either basket. Easyglide wheels allow the basket to roll smoothly in and out ensuring effortless operation whether the dishwasher is fully loaded or empty.



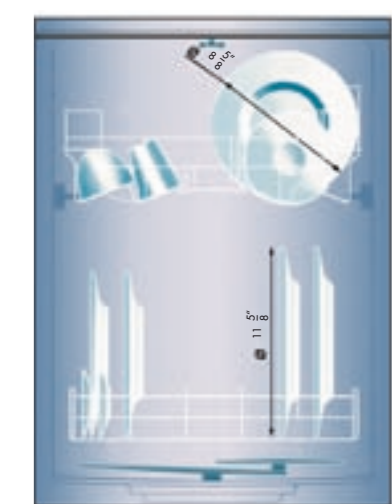
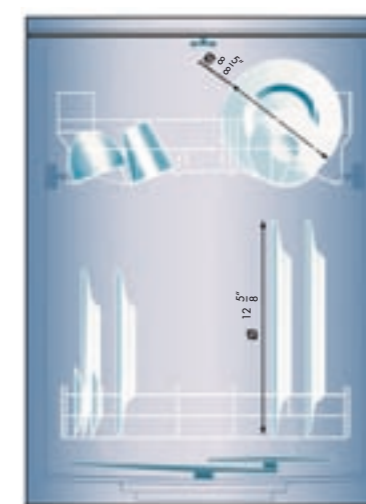
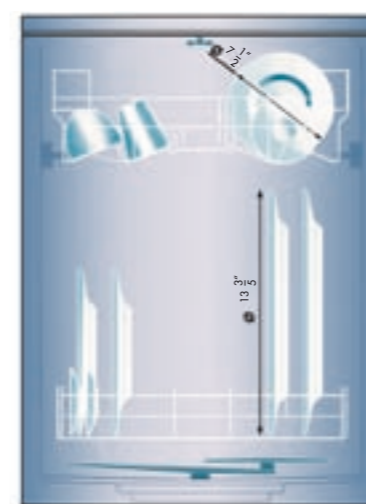
Half load

A half load option is standard on all 24" dishwashers – it is possible to select a half load for the upper basket only, or the lower basket only (depending on which basket your items are located). Water is concentrated on one basket only. Such a function is useful when you have partial loads.



Load Capacity: 10 Place Settings

The 18" dishwasher can accommodate as many as 10 place settings, flip down tines allow the lower basket to be adjusted to suit your needs. The height of the upper basket can also be adjusted to accommodate taller items placed in the upper or lower baskets. The addition of easyglide wheels allows a basket to move in and out smoothly.



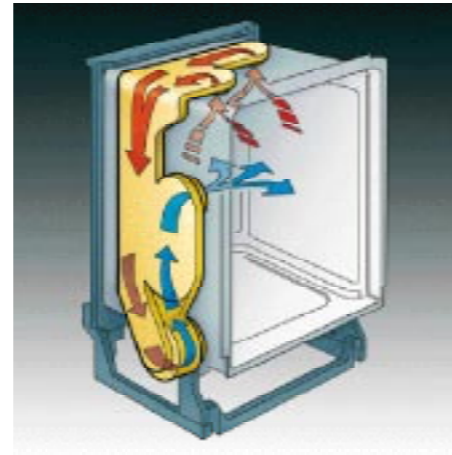
Full size tub

24" Smeg dishwashers for the US market all have a full size tub – with plenty of space for large dishes or saucepans. The upper basket has a 3 position adjustment to accommodate taller dishes (from 11" of up to 13 3/4" in diameter). 18" dishwasher baskets have the possibility of being adjusted to 2 separate heights.



Noise Levels

In depth research and attention to detail has enabled Smeg engineers to create exceptionally quiet dishwashers. The motor and pump are mounted within a thermoplastic base and encased in special panels that absorb the noise and vibration. The result is that the noise level of Smeg dishwashers are as low as 43 dB (A).



Condenser Drying System

The drying system works by re-circulating the hot air from inside the tub; air is sucked out through 2 openings at the top of the tub and re-enters via a side opening, providing a hygienic and high performance dry. As the steam leaves the tank it is condensed and drained away, meaning that when you open the dishwasher door after the cycle has finished, the dishes are perfectly dry and no steam is released into the room. There is no vent needed.



Water Softener

Every Smeg dishwasher has an electronic water softener. The effects of lime-scale are well known – chalky deposits on the electromechanical parts and on the dishes (in particular on delicate items) can be a big problem. Smeg have developed a system to adjust the hardness of the water that enters the dishwasher adjusting the level of salt in the tub to achieve the dishwasher, the level of salt in the tub is automatically adjusted to achieve optimum washability.

Concealed Heating Element

Smeg dishwashers heat water quickly by using a concealed water heater ("through-flow heater"). Water is pumped through a heating chamber which is located in the base of the dishwasher, outside of the tub. The heating element is covered and never comes into direct contact with water making it one of the safest heating methods on the market. This system means that heat sensitive items – such as plastics – can be placed in the lower basket without the risk of them melting or being damaged.



Stainless Steel Tub and Stainless Steel Filter

All Smeg dishwashers all have a strong stainless steel tub. A frame construction of reinforced galvanised steel improves the stability and the life of the appliance. It is supported on a solid thermoplastic base which has been specially designed to absorb vibration during operation. The filter system on Smeg dishwashers are also made from stainless steel, making them very strong and durable.



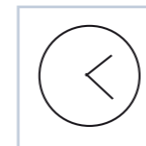
Aquatest

All Smeg dishwashers have an aquatest feature. A specially developed infrared sensor measures the clarity of the water in the tub at regular intervals and decides whether to heat the water for the pre-wash cycle or to move on to heat the water for the wash cycle. The aquatest feature is incorporated in the AUTO cycle/s - it keeps consumption of water and energy to a minimum, depending on the degree of food soil on the dishes.



Finger-print Proof Stainless Steel

A special coating is applied to the stainless steel to protect against finger-prints.



Delay Timer

Another standard feature on all Smeg dishwashers is a delay timer. This feature allows you to select the required wash program and delay the start of the cycle for up to a maximum of 12 hours. This way the dishwasher fits in with your schedule.



Complete Water Leak Protection System

All models have an electronic device fitted to the water intake hose, which monitors water levels in the machine. It detects leaks in the hose and switches off the water supply immediately if necessary.



Self-balancing Door Hinges

Thanks to newly developed hinges (fitted to every Smeg dishwasher) the door is always balanced – it will remain fixed open at any angle you choose!



Energy Star and ISO14001 Certified

The Smeg production process is carefully managed in order to keep the impact upon the environment as low as possible. The process is checked and certified by Independent International bodies IQNET and CISQ (Smeg complies with the standard ISO14001).

All Smeg dishwashers are ENERGY STAR qualified. Energy efficiency is important to Smeg and our technicians are constantly working to keep the energy, and water, consumption of each dishwasher as low as possible. ENERGY STAR certified products use less water than conventional dishwashers, and approximately 40% less energy than the federal minimum standard for energy consumption. By choosing an ENERGY STAR certified product you are helping to preserve the environment without compromising on product quality or performance.



Sanitation

Every dishwasher in the Smeg series has at least one wash program that incorporates a final sanitation rinse. A special final 10 minute rinse at 158°F is added to the end of certain programs to ensure the highest possible standards of cleanliness and hygiene. Smeg dishwashers are ETL sanitation certified.

Hot Water Connection

Smeg dishwashers can be connected to a hot or cold water pipe.

Wash Cycles

The wash performance is the most important feature of a Smeg dishwasher. A variety of wash cycles are available, including Short wash, Super wash, Crystal wash and even a dish warming option.

36" HORIZONTAL DISHWASHER

SMEG DISHWASHERS ARE PERFECTLY IN LINE WITH ALL OF THE LATEST DESIGN TRENDS, AND OFFER IDEAL SOLUTIONS FOR FITTING INTO TIGHT SPACES. ERGONOMIC, INNOVATIVE AND DESIGNED TO GUARANTEE HIGH PERFORMANCE, THE 36" HORIZONTAL DISHWASHER IS A NEW CONCEPT ON THE MARKET.



Load Flexibility

Optimum load flexibility is ensured thanks to the "single open space" basket that has been carefully designed to ensure optimal use of the space available. Several flip down tines, glass support racks and plentiful cutlery storage enables the basket to fit up to 12 place settings.

Intensive Wash Zone

The Intensive Wash Zone Selector allows you to choose which zone of the basket in which to concentrate the wash, depending on where you place the most soiled items

Interior Light

The interior of the dishwasher contains a light which turns on when the door opens. The light is both highly efficient and has a low energy consumption.



Twin Orbital Spray Arms

The 36" dishwasher is equipped with a twin Orbital Wash System to ensure that the water spray reaches even the furthest points of the tub with increased power. The highest level of energy efficiency and washing is only available thanks to this unique system.

Hinges

The unique design of the 36" dishwasher requires special hinges in the hinged panel area on the door. The hinges have a triple effect and an anti-crush device which ensures safety.

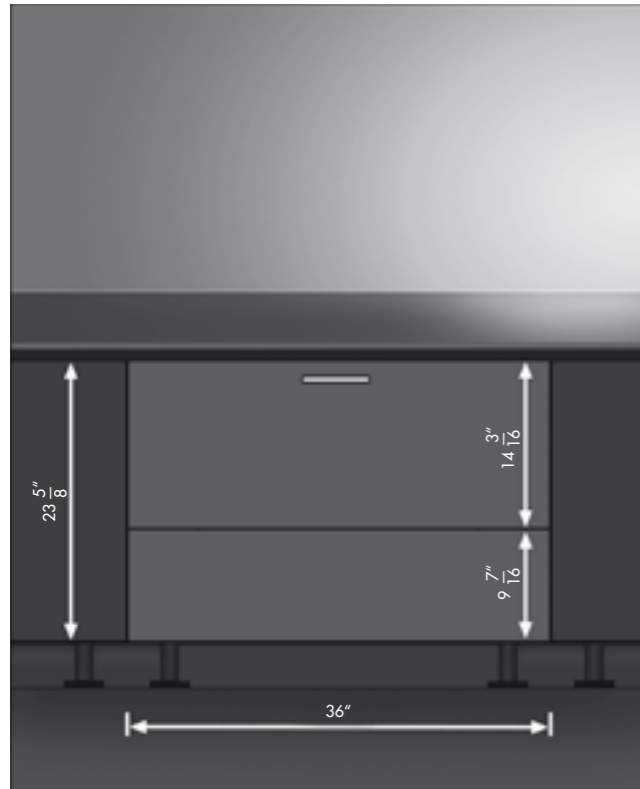
Anti-drip System

An exclusive anti-drip system is fitted to the front of the basket. This operates every time the basket is pulled out to prevent water drops on the floor.

Quick and Intense

The 36" dishwasher has an exceptional new program that cleans even the dirtiest of dishes in just 50 minutes by reaching a temperature of 158°F. Quick and intense, this program delivers hygiene and cleanliness faster than any other wash program.





01



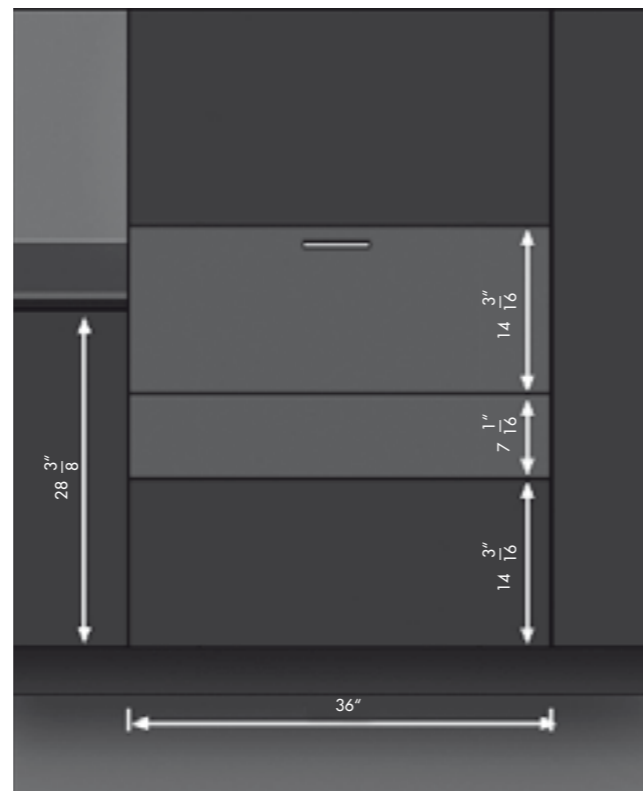
02



03



04



05

Under-mounted and In-column Installation

The 36" dishwasher provides an ideal solution for installing in modern kitchens.

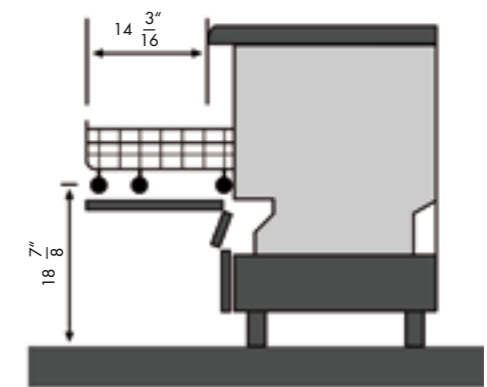
Installation option/s:

01: with a minimum height of just under 24" it is ideal to be installed in a suspended kitchen

02/04: enables you to include a drawer at the bottom of the dishwasher

03: two equal sized panels ensure maximum design continuity

05: a clever arrangement of waste-pipes allows it to be installed in-column (it is even possible to install it below an oven or hob)

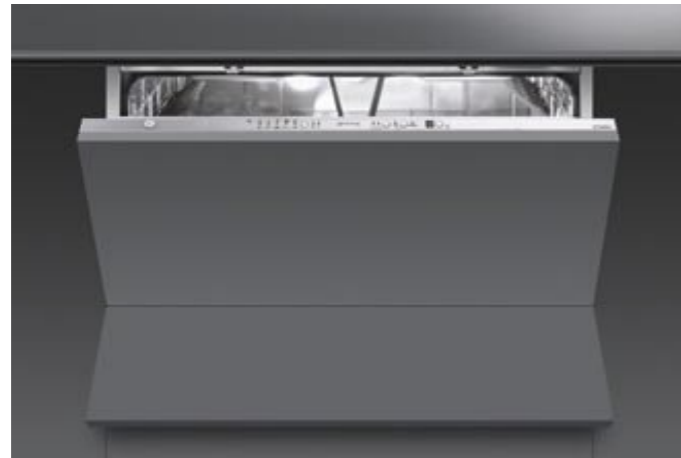


Ergonomics

The Smeg 36" dishwasher has been designed to offer both technology and ergonomics. The basket is in a higher position than on traditional models and this enables the basket to be loaded without having to bend over. This is an ideal solution for anyone with limited mobility, who it difficult to bend to load or unload a normal dishwasher. Requiring just 15" of space to open the door, this unique model is also an ideal space saver.

STO905U

FULLY INTEGRATED HORIZONTAL 36" DISHWASHER



Accepts custom door panel
Tripe effect hinges with anti-crush safety system
Self-balancing door

Hidden stainless steel electronic control panel

Features:

10 wash cycles including Crystal washing, Quick & Intense Wash and Dish warming
Aquatest
Built-in water softener
Sanitation
Interior light
Stainless steel tub and filter
Concealed heating element
Intensive Wash Zone Selector
Delay timer (up to 9 hours)
5 temperatures: 100°F, 113°F, 131°F, 149°F, 158°F
Salt and Rinse Aid refill Indicators

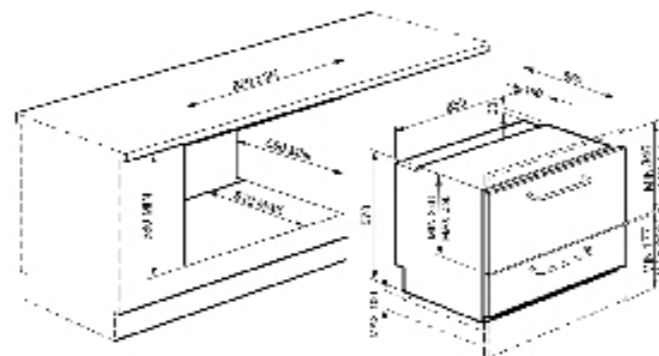
Orbital Wash System

Complete Water Leak Protection System

12 place settings capacity
Stainless steel baskets with anti-drip device
Ergonomic access to baskets
Accommodates plates of up to 12 1/2" in diameter
Cutlery basket that splits in 2 with lid that also serves as a divider
5 flip down tines
2 glass support racks
1 knife holder with space for several knives
Easyglide basket movement

Noise level 43dB (A)

Energy star rated



for technical drawing in cm see page 20



STA8614XU

PRE-FINISHED 24" DISHWASHER WITH FINGER PRINT PROOF STAINLESS STEEL DOOR AND PROFESSIONAL HANDLE.



Full size tub

Hidden stainless steel electronic control panel

Self-balancing door

Features:

10 wash cycles including Crystal washing, Economy cycle and Dish warming

Aquatest

Built-in water softener

Sanitation

Condenser Drying

Stainless steel tub and filter

Concealed heating element

Half load

Delay timer (up to 9 hours)

5 temperatures: 100°F, 113°F, 131°F, 149°F, 158°F

Salt and Rinse Aid refill Indicators

Orbital Wash System

Complete Water Leak Protection System

12 place settings capacity

Stainless steel baskets

Adjustable upper basket to accommodate plates up to 13 3/4" in diameter

2 Cutlery baskets each with lid that also serves as a divider

4 flip down tines in lower basket

2 glass support racks in upper basket

Easyglide basket movement

Noise level 43dB (A)

Energy star rated



STA8743U

FULLY INTEGRATED 24" DISHWASHER



Full size tub

Hidden electronic control panel

Accepts custom door panel
Self-balancing door

Features:

10 wash cycles including Crystal washing, Economy cycle, Extreme wash and Dish Warming

Aquatest

Built-in water softener

Sanitation

Condenser Drying

Stainless steel tub and filter

Concealed heating element

Half load

Delay timer (up to 9 hours)

5 temperatures: 100°F, 113°F, 131°F, 149°F, 158°F

Salt and Rinse Aid refill Indicators

Orbital Wash System

Complete Water Leak Protection System

12 place settings capacity

Stainless steel baskets

Adjustable upper basket to accommodate plates up to 13 3/4" in diameter

2 Cutlery baskets each with lid that also serves as a divider

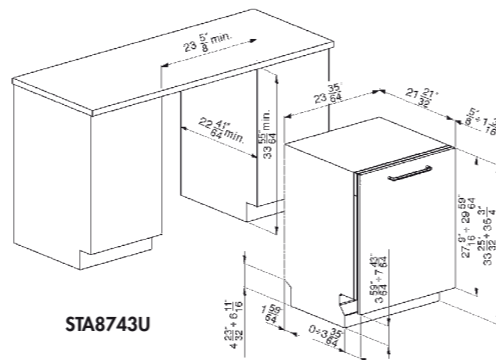
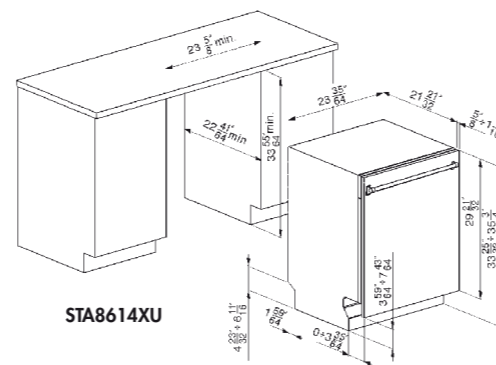
4 flip down tines in lower basket

2 glass support racks in upper basket

Easyglide basket movement

Noise level 43dB (A)

Energy star rated



for technical drawing in cm see page 20



PLA8743XU

INTEGRATED 24" DISHWASHER



Full size tub

Electronic control panel with finger-print proof stainless steel

Accepts custom door panel
Self-balancing door

Features:
9 wash cycles including Crystal washing and Economy cycle
Aquatest
Water softener
Sanitation
Condenser Drying
Stainless steel tub and filter
Concealed heating element
Half load
Delay timer (up to 12 hours)
5 temperatures: 100°F, 113°F, 131°F, 149°F, 158°F
Salt and Rinse Aid refill Indicators

Orbital Wash System

Complete Water Leak Protection System

12 place settings
Stainless steel baskets
Adjustable upper basket to accommodate plates up to 13 3/4" in diameter
2 Cutlery baskets each with lid that also serves as a divider
4 flip down tines in lower basket
2 glass support racks in upper basket
Easyglide basket movement

Noise level 43dB (A)

Energy star rated



STA4645U

FULLY INTEGRATED 18" DISHWASHER



Hidden electronic control panel

Accepts custom door panel
Self-balancing door

Features:
5 wash cycles including Crystal washing, and Extreme wash
Aquatest
Built-in water softener
Sanitation
Stainless steel tub and filter
Concealed heating element
Delay timer (up to 9 hours)
4 temperatures: 113°F, 131°F, 149°F, 158°F
Salt and Rinse Aid refill Indicators

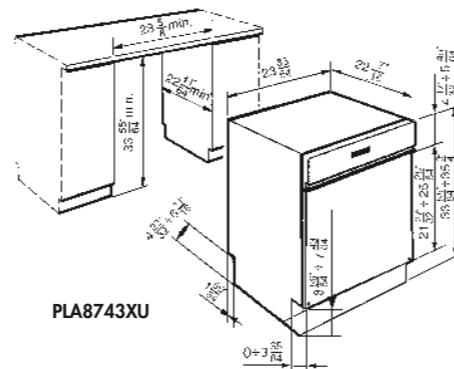
Shuttle Wash System

Complete Water Leak Protection System

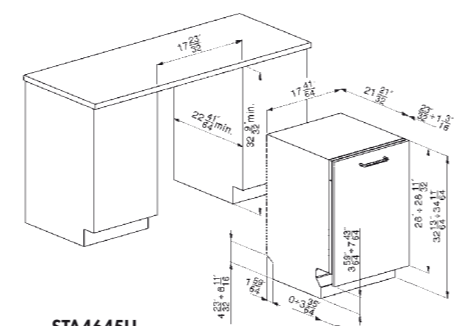
10 place settings capacity
Stainless steel baskets
Adjustable upper basket to accommodate plates up to 11 3/4" in diameter
Cutlery basket with lid that also serves as a divider
2 flip down tines in lower basket
2 glass support racks in upper basket
2 extra cutlery holders in upper basket
Easyglide basket movement

Noise level 45dB (A)

Energy star rated



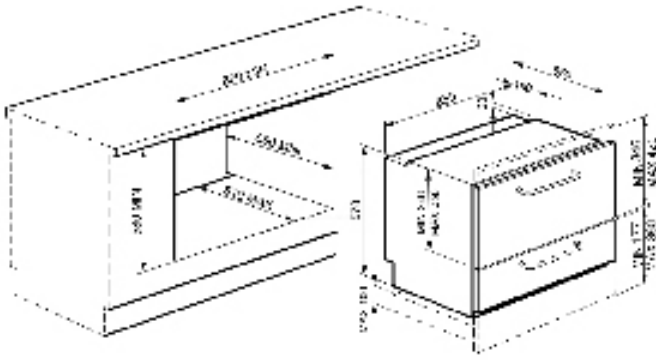
PLA8743XU



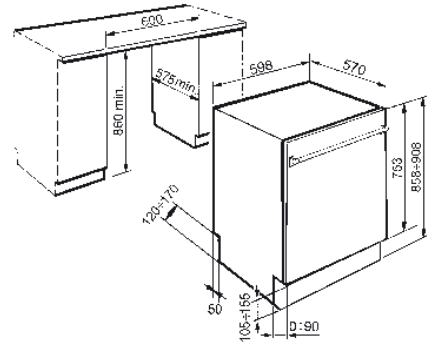
STA4645U

for technical drawing in cm see page 20

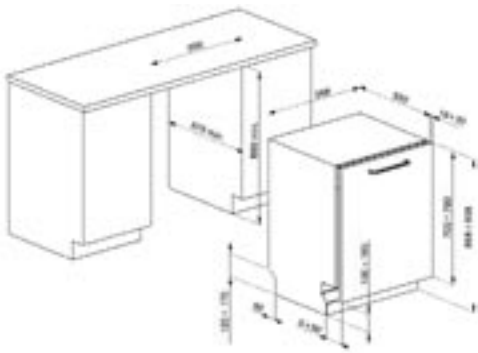




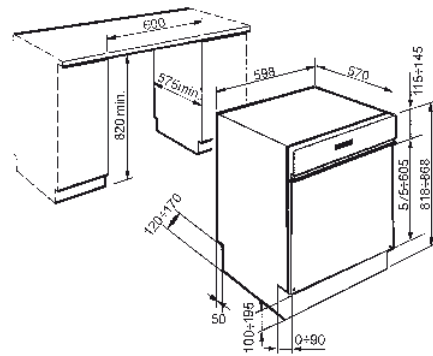
STO905U



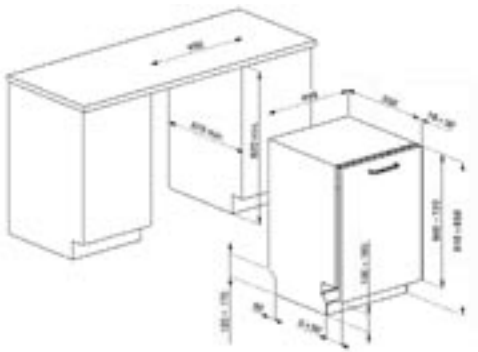
STA8614X



STA8743U



PLA8743XU



STA4645U

