

STA8614XU



Pre-finished 24" dishwasher with finger print proof stainless steel door and professional handle

- Full size tub
- Hidden stainless steel electronic control panel
- Self-balancing door
- Features:
 - 10 wash cycles including Crystal washing, Economy cycle and Dish warming
 - Aquatest
 - Built-in water softener
 - Sanitation
 - Condenser Drying
 - Stainless steel tub and filter
 - Concealed heating element
 - Half load
 - Delay timer (up to 9 hours)
 - 5 temperatures: 100°F, 113°F, 131°F, 149°F, 158°F
 - Salt and Rinse Aid refill Indicators
- Orbital spray arm(s)
- Complete Water Leak Protection System
- 12 place settings capacity
- Stainless steel baskets
- Adjustable upper basket to accommodate plates up to 13 ¾" in diameter
- 2 Cutlery baskets each with lid that also serves as a divider
- 4 flip down tines in lower basket
- 2 glass support racks in upper basket
- Easyglide basket movement
- Noise level 43dB
- Energy star rated

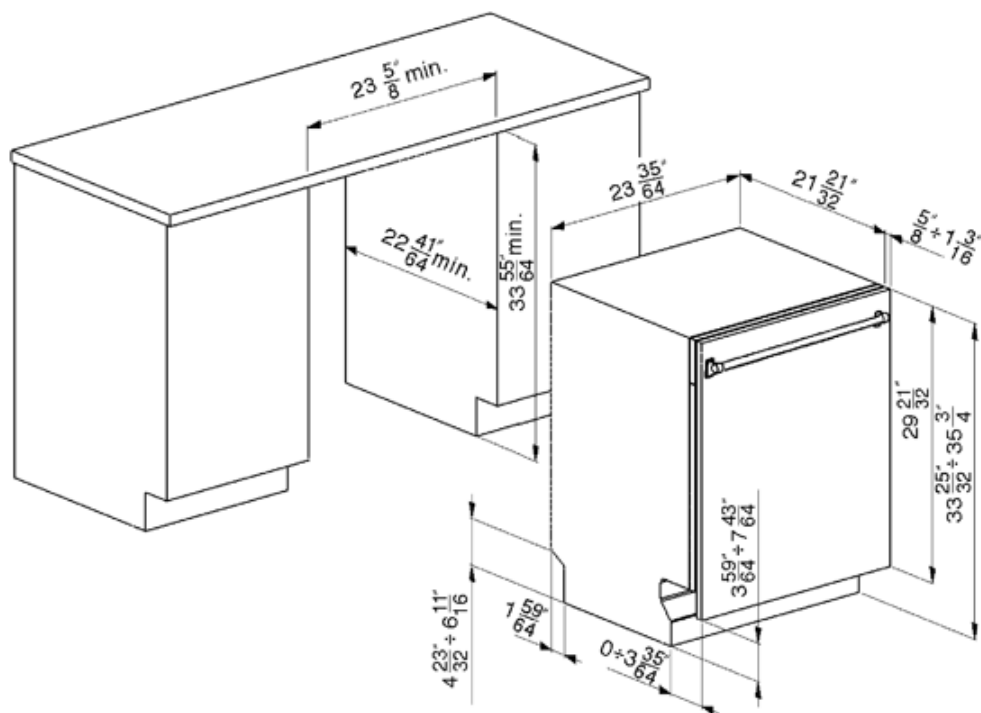


SMEG USA INC.
10 Rockefeller Plaza
7th floor Suite # 723
New York, NY 10020

STA8614XU



Pre-finished 24" dishwasher with finger print proof stainless steel door and professional handle



SMEG USA INC.
10 Rockefeller Plaza
7th floor Suite # 723
New York, NY 10020