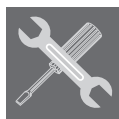


1. IMPORTANT SAFETY INSTRUCTIONS	4
2. GENERAL INSTALLATION INSTRUCTIONS	5
3. PREPARING THE BUILT-IN OVEN	6
4. MAKING THE ELECTRICAL CONNECTION	7



NOTE: THIS APPLIANCE MUST BE INSTALLED SOLELY AND EXCLUSIVELY BY A QUALIFIED TECHNICIAN. ANY TECHNICAL PROCEDURES MUST BE CARRIED OUT BY AN AUTHORIZED TECHNICIAN.



INSTRUCTIONS FOR THE INSTALLER: *these are intended for the **qualified engineer** who is able to install, commission and test the appliance*

1. IMPORTANT SAFETY INSTRUCTIONS



READ AND SAVE THESE INSTRUCTIONS – Your safety and the safety of others are very important. We have provided many important safety messages throughout this manual and on the appliance. Read all instructions before using the appliance and always obey all safety messages.



RECOGNIZE SAFETY INFORMATION

This is a safety alert symbol. This symbol alerts you to potential hazards that can kill or hurt you and others.

UNDERSTAND SIGNAL WORDS

A signal word – DANGER, WARNING, or CAUTION – is used with the safety-alert symbol. DANGER identifies the most serious hazards. It means you can be killed or seriously injured if you do not immediately follow the instructions. WARNING means you can be killed or seriously injured if you do not follow the instructions. CAUTION indicates a potentially hazardous situation which, if not avoided, may result in minor or moderate injury.

All safety messages will inform you of potential hazards, on how to reduce the risk of injury and what can occur if the instructions are not followed.

IMPORTANT: Installation and grounding must comply with applicable codes. Observe all government codes and ordinances.



WARNING

- This appliance is intended for home use only.
- Only use the appliance for its intended purpose. The manufacturer is not responsible for damages caused by improper use of this oven.
- This appliance complies with current safety requirements. Improper use of the appliance can lead to personal injury and material damage.
- Read all the instructions before installing or using the oven for the first time.
- Keep these operating instructions in a safe place and pass them on to any future user.

SAVE THESE INSTRUCTIONS

2. GENERAL INSTALLATION INSTRUCTIONS

- **Proper installation is your responsibility.** Have a qualified technician install this oven. Make sure you have everything necessary for correct installation. It is the responsibility of the installer to comply with installation guidelines specified on the model/serial ID plate. The model/serial ID can be found on the internal frame of the oven when the door is opened.
- **Have your oven installed and properly grounded by a qualified installer, in accordance with these installation instructions.** Grounding is mandatory according to the provisions of the electrical system safety regulations. If this appliance is connected to an outside electrical power source, it must be grounded in compliance with local laws, or, if no local laws exist, in compliance with the national ANSI / NFPA 70 code of electrical regulations.
- Make sure that the voltage and dimensions of the supply line correspond to the information indicated on the model/serial rating plate. A multi-polar cut-out must be available on the supply line with a contact opening distance equal to or greater than 3mm, located in an easily accessible position near the appliance.
- Do not attempt to repair or replace any part of your oven unless it is specifically recommended in this manual. All other service procedures should be performed by a qualified technician.
- This oven is not suitable for installation and use in mobile homes or campers.
- **Electrical grounding is required.** See the “Electrical Requirements” section. It is the customer’s responsibility:
 - To contact a qualified electrical installer,
 - To ensure that the electrical system is adequate and in compliance with the national ANSI / NFPA 70 ELECTRICAL CODE – latest edition – Or the CANADIAN ELECTRICAL CODE, C22.11 – 1982 and C22.2 No. 01982 – or latest edition – and all local codes and ordinances. **IMPORTANT:** Observe all government codes and ordinances.



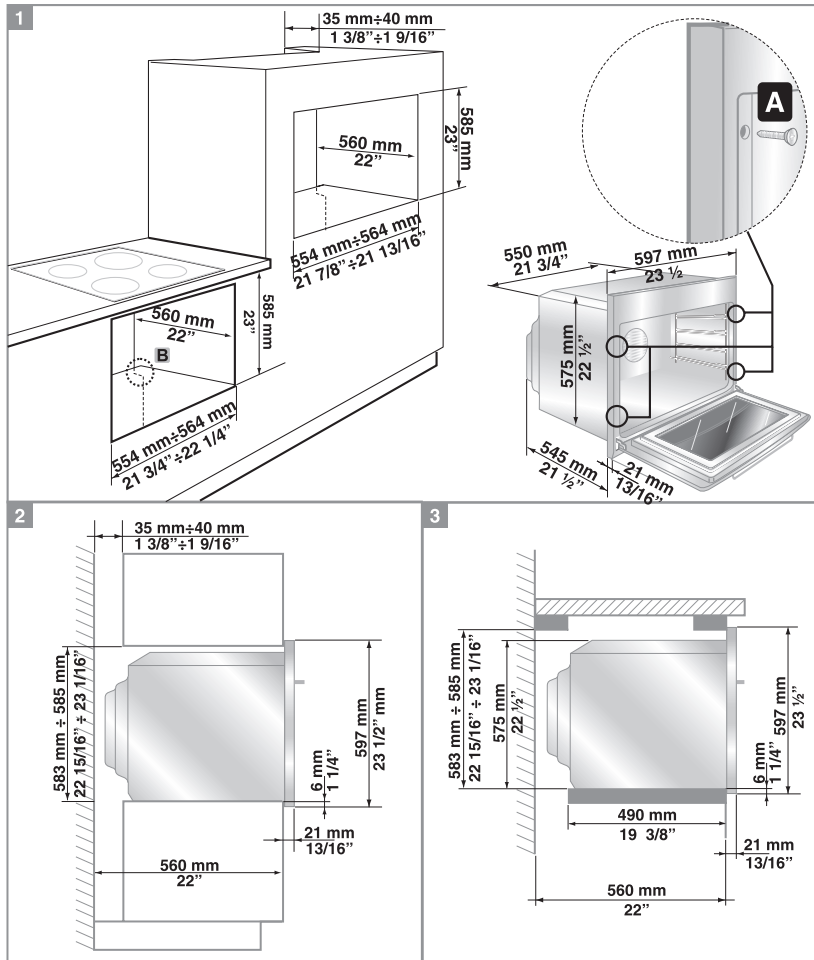
3. PREPARING THE BUILT-IN OVEN



EXCESSIVE WEIGHT HAZARD

WARNING

- Use two or more people to move and install the oven
- Failure to do so can result in back or other injury.



IMPORTANT: This appliance must be integrated in any cabinets made of material which is heat resistant up to temperatures of 194°F-90°C.

Keep to the dimensions indicated in pictures 1, 2, 3. For under-worktop positioning, keep to the dimensions indicated in pictures 1 and 3. For column positioning, keep to the dimensions indicated in pictures 1 and 2.

Remember that the upper/rear part of the cabinet must have an opening with a depth of 1 3/8" - 1 9/13" / 35 – 40 mm for correct fastening of the oven to the cabinet. The same opening must be guaranteed also in the rear/lower part of the cabinet in under worktop installation, as shown in part B of pictures no. 1.

It is important to follow these instructions before and during the oven installation:

- Decide on the final location of the oven. Locate the existing wiring to avoid drilling into or severing wiring during installation.
- To avoid damage to the floor, place the oven on cardboard prior to installation. Do not lift by the door handle or any part of the frame or trim.
- Remove the shipping materials and tape from the oven.
- Remove the literature contained in the package.
- Remove and set aside racks and other parts from inside the oven.
- Move the oven on the cardboard close to the oven's final location.
- Remove the oven door (see paragraph "9.2 Removing the door" in the *Instructions for the User* booklet)

IMPORTANT: Use both hands to remove the oven door.



4. MAKING THE ELECTRICAL CONNECTION



ELECTRICAL SHOCK HAZARD

- Disconnect power to the junction box before connecting
- Electrically ground the appliance with green or green-yellow wire

FAILURE TO FOLLOW THESE INSTRUCTIONS COULD RESULT IN DEATH, FIRE OR ELECTRICAL SHOCK.

This appliance is manufactured with a yellow-green or green ground wire connected to the oven chassis.

To prepare the connection between the oven and the junction box:

- Disconnect the power supply to the junction box,
- Feed the flexible cable conduit from the oven through the opening of the cabinet,
- Remove the junction box cover, if present,
- Install a UL-listed or CSA-approved conduit connector to the junction box,
- Route the flexible cable conduit from the oven to the junction box through a UL-listed or CSA-approved conduit connector.
- Tighten the screws on the conduit connector,
- Refer to figures 1 and 2 below, which represent the most common way of making the electrical connection.

IMPORTANT: Any local codes and ordinances should be give priority over these instructions.



NOTE: Frame grounded by connection of grounding wire to neutral wire. If used in the new branch circuit installation (1996 NEC) or if local codes do not permit grounding through the neutral wire, open the connection and use the grounding wire to the ground unit in compliance with local codes. Connect the neutral wire to the branch circuit's neutral conductor in the usual manner:

- Disconnect the ground from the neutral at the free end of the conduit,
- Use the grounding terminal or lead to ground unit, and
- Connect the neutral terminal or wire to the branch circuit neutral in the usual manner (see pic. 2 below)



US INSTALLATION ONLY – 3 WIRE BRANCH CIRCUIT

Refer to **figure 1**, where local codes allow the connection of the ground wire from the appliance to the branch circuit neutral wire (white wire):

- The ground wire must be connected first;
- If local codes permit, connect the green or yellow-green ground wire from the appliance and the white wire from the appliance to the branch circuit neutral wire (white wire).
- Connect the red and black leads from the oven to the corresponding leads in the junction box.

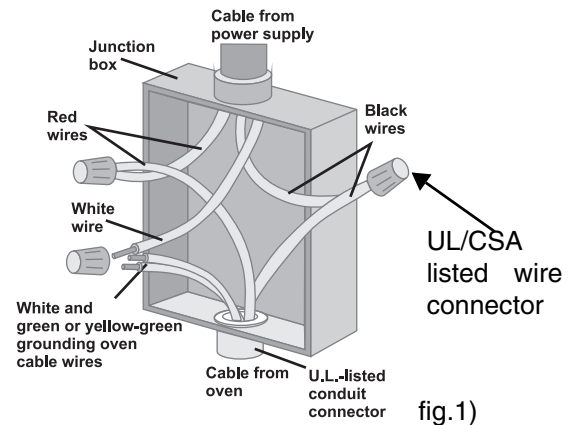


fig.1)

US INSTALLATION AND CANADIAN INSTALLATION – 4 WIRE BRANCH CIRCUIT

Refer to **figure 2**,

- Disconnect the green or yellow-green from the white lead.
- The ground wire must be connected first;
- Connect the green or yellow-green ground wire from the appliance to the ground in the junction box (green colored wire). **Do not connect the grounding wire to the neutral wire in the junction box.**
- Connect the red and black leads from the appliance to the corresponding leads in the junction box.
- Connect the white wire from the appliance to the neutral (white) wire in the junction box.

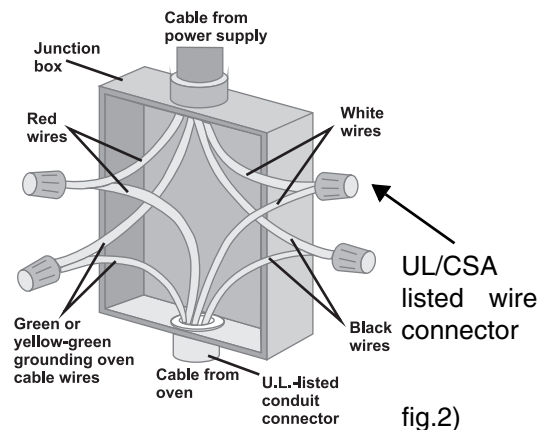


fig.2)

Connect to a 20A fuse or circuit breaker. Connect to copper wire only, or, if connecting to aluminum house wire, use UL-listed or CSA-approved connectors, which are suitable for joining aluminum with copper wires.