

1. IMPORTANT SAFETY INSTRUCTIONS .....	4
2. COOKTOP MEASUREMENTS .....	5
3. POSITIONING THE COOKTOP AND LOCATION REQUIREMENTS .....	6
3.1 Gas supply requirements .....	8
3.2 Electrical requirements .....	9
4. INSTALLING THE COOKTOP .....	11
5. CHECKING OPERATION .....	14
6. WIRING DIAGRAMS .....	15



**INSTRUCTIONS FOR THE INSTALLER:** *these are intended for the **qualified engineer** who is able to install, commission and test the appliance*

## 1. IMPORTANT SAFETY INSTRUCTIONS



**READ AND SAVE THESE INSTRUCTIONS** – Your Safety And the Safety of Others Are Very Important. We have provided many important safety messages throughout this manual and on your appliance. Read all instructions before using your appliance and always obey all safety messages.



### RECOGNIZE SAFETY INFORMATION

This is a safety alert symbol. This symbol alerts you to potential hazards that can kill or hurt you and others.

### UNDERSTAND SIGNAL WORDS

A signal word – DANGER, WARNING, or CAUTION – is used with the safety-alert symbol. DANGER identifies the most serious hazards. It means you can be killed or seriously injured if you do not immediately follow instructions. WARNING means you can be killed or seriously injured if you do not follow instructions. CAUTION indicates a potentially hazardous situation which, if not avoided, may result in minor or moderate injury.

All safety messages will inform you as to potential hazards, inform you on how to reduce the risk of injury and as to what can occur if the instructions are not followed.

**IMPORTANT: Observe all government codes and ordinances.**

**WARNING: For your safety, the information in this manual must be followed to minimize the risk of fire or explosion, or to prevent property damage, personal injury or death.**



**Do not store or use gasoline or other flammable vapors and liquids in the vicinity of this or any other appliance.**

## WHAT TO DO IF YOU SMELL GAS

- Do not attempt to switch on any appliances.
- Do not touch any electrical switches.
- Do not use any phones in your building.
- Immediately call your gas supplier from a neighbor's phone. Follow the gas supplier's instructions.
- If you cannot reach your gas supplier, call the fire department.
- Installation and service must be performed by a qualified installer, service agency or the gas supplier.



**NOTE:** This cooktop is manufactured for use with Natural gas. To convert to LP/Propane gas, see instructions in the Gas Conversion Kit provided in the literature package.

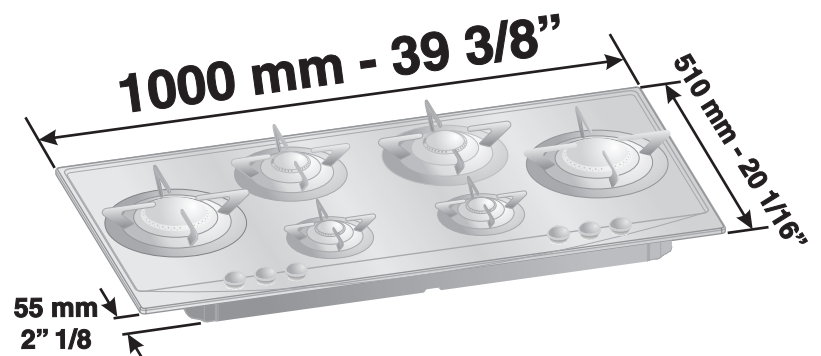
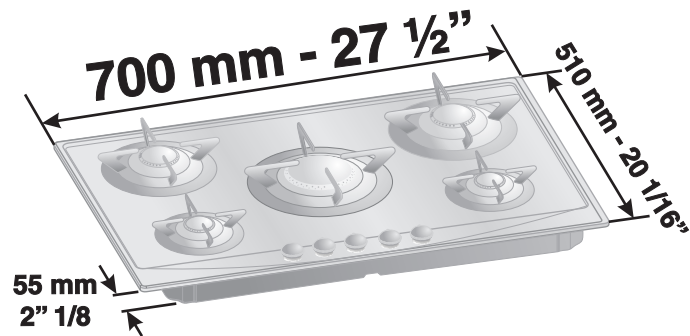
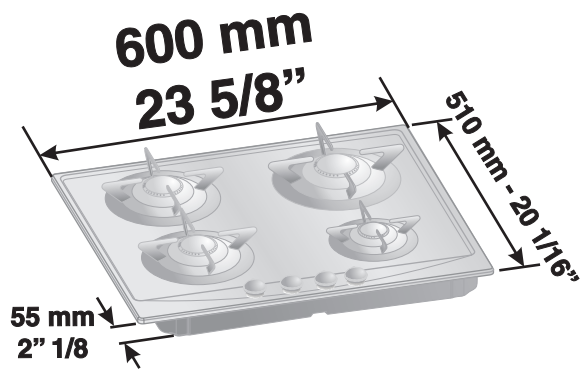
Proper gas supply connection must be available. See "Gas supply requirements".

In the State of Massachussets, the following installation instructions apply:

- Installations and repairs must be performed by a qualified or licensed contractor, plumber, or gasfitter qualified or licensed by the State of Massachusstets.
- If using a Ball valve, it shall be T-handle type.
- A flexible gas connector, when used, must not exceed 3 feet.



## 2. COOKTOP MEASUREMENTS





### 3. POSITIONING THE COOKTOP AND LOCATION REQUIREMENTS



**NOTE:** The following operation requires building and/or carpentry work and must therefore be carried out by a competent technician.

Installation can be carried out on various material, such as masonry, metal, solid wood, plastic laminated wood etc. As long as they are heat resistant (T = 90°C - 194° F).

Observe all governing codes and ordinances. Do not obstruct flow or combustion and ventilation air.

- It is the installer's responsibility to comply with installations guidelines specified on the model/serial rating plate. The model/serial rating plate is located on the underside of the cooktop burner box.
- The cooktop should be installed in a location away from strong draft areas, such as windows, doors and strong heating vents or fans.
- All openings in the wall or floor where cooktops is to be installed must be sealed.
- Cabinet opening dimensions that are shown must be used. Given dimensions are minimum clearances.
- Grounded electrical supply is required. See "Electrical Requirements" section. Proper gas supply connection must be available. See "Gas Supply Requirements" section

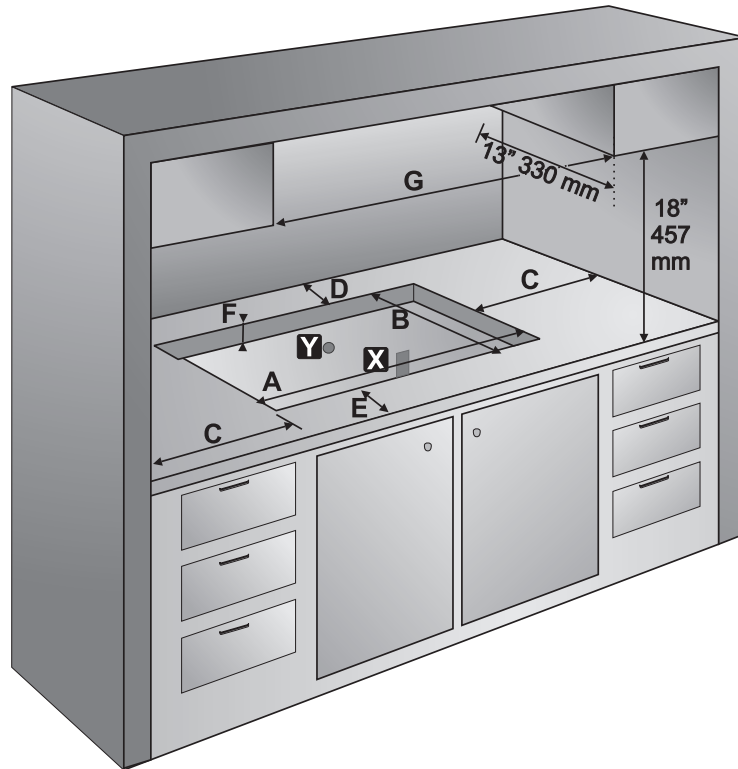
To prevent accidents or ruining the mobile components of the appliance, the following steps must be taken before performing the procedures described below:

- 1 Remove all packaging parts (e.g. crate, carton, polystyrene and metal hooks). Do not eliminate this manual as it is an integral part of the appliance and it should be kept handy for easy reference whenever needed.
- 2 Temporarily remove all removable parts from the cooktop that could fall and cause personal injury or damage to objects (burners, crowns and flame caps) during the attachment procedures These parts must be refitted before using the appliance.

The measurements supplied in the tables referring to the figure below must be followed when attaching the appliance to the support structure.



# Instructions for the Installer



Cooktop width	MINIMUM DISTANCE						
	A	B	C	D	E	F	G
23 5/8"	22" - 22 7/16"	18 7/8" - 19"	8 1/4"	3 3/8"	1 7/16"	13/16" - 1 9/16"	23 5/8"
600 mm	560 - 570 mm	478 - 482 mm	210 mm	86 mm	36 mm	20 - 40 mm	600 mm
27 1/2"	22" - 22 7/16"	18 7/8" - 19"	8 1/4"	3 3/8"	1 7/16"	13/16" - 1 9/16"	27 1/2"
700 mm	560 - 570 mm	478 - 482 mm	210 mm	86 mm	36 mm	20 - 40 mm	700 mm
39 3/8"	33 11/16" - 33 7/8"	19 1/10" - 19 3/10"	8 1/4"	4 7/16"	1 7/16"	13/16" - 1 9/16"	39 3/8"
1000 mm	855 - 860 mm	485 - 490 mm	210 mm	112 mm	36 mm	20 - 40 mm	1000 mm



### Gas line opening

**Wall:** everywhere, 5" (12.7 cm) below underside of countertop.

**Cabinet base:** everywhere, within 6" (15.2 cm) from rear wall is recommended.



### Grounded outlet

Locate within 24" (61 cm) from the right rear corner of the cut out drawer.



### 3.1 Gas supply requirements

#### EXPLOSION HAZARD



#### WARNING



- Use a new AGA- or CSA-approved gas supply line.
- Install a shut-off valve.
- Securely tighten all gas connections.
- If connected to LP, have a qualified technician ensure that gas pressure does not exceed a 14" water column.
- Examples of qualified technicians include licensed heating personnel, authorized gas company personnel, and authorized service personnel.
- Failure to do so can result in death, explosion, or fire.



#### NOTE:

- observe all government codes and ordinances.
- The cooktop must be connected to a regular gas supply.

1)

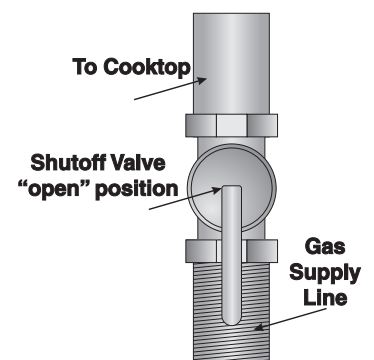
This installation must conform to local codes and ordinances. In the absence of local codes, installations must conform to American National Standards, National Fuel Gas Code ANSI Z223.1 - latest edition\*\* or CANI 13149.1 or 2\*\*.

2)

If local codes permit, a flexible metal appliance connector with the new AGA- or CSAcertified design, 4-5 feet (1.2-1.5 m) long, 1/2" or 3/4" I.D., is recommended for connecting this cooktop to the gas supply line. Do not bend or damage the flexible connector when moving the cooktop. The pressure regulator has 3/8 female pipe threads. You will need to determine the fittings required, depending on the size of your gas supply line, the flexible metal connector and the shut-off valve.

3)

The supply line shall be equipped with an approved shut-off valve. This valve should be located in the same room as the cooktop and should be in a location that allows for easy opening and closing. Do not block access to the shut-off valve. The valve is necessary for turning the gas to the appliance on or off.





## Instructions for the Installer

EN

4)

The regulator must be checked at a minimum water column of at least 1" (2.5 cm) above the set pressure. The inlet pressure to the regulator should be as follows for operation and monitoring of the regulator setting:

- **NATURAL GAS:** Set pressure at 6" (15.2 cm). Supply pressure 7-14" (17.8 cm to 35.5 cm) maximum

- **LP GAS:** Minimum pressure of 10" (25.4 cm). Supply pressure 14" (35.5 cm).



5)

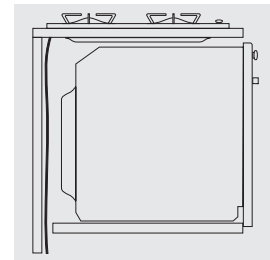
Line pressure testing: Testing above 112 PSI (3.5 kPa), with water column of 14" (35.6 cm) (gauge). The cooktop and its individual shut-off valve must be disconnected from the gas supply piping system during any pressure testing of that system at test pressures greater than 1/2 psig (3.5 kPa).

Testing below 112 PSI (3.5 kPa) with a water column of 14" (35.6 cm) (gauge) or lower.

The cooktop must be isolated from the gas supply piping system by closing the respective manual shut-off valve during any pressure testing of the gas supply piping system at test pressures equal to or less than 1/2 psig (3.5 kPa).

6)

If the appliance is installed on an oven, the gas pipe must not pass along the back of the oven, as this may cause overheating.



### 3.2 Electrical requirements

#### ELECTRICAL SHOCK HAZARD



**WARNING**

- Plug into a grounded 3-prong outlet.
- Do not remove ground prong.
- Do not use an adapter.
- Do not use an extension cord.
- Failure to follow these instructions can result in death, fire, or electrical shock.

- If codes permit and a separate ground wire is used, it is recommended that a qualified electrician checks that the ground path is adequate.
- Check with a qualified electrician if you are not sure whether the cooktop is properly grounded. Do not ground to a gas pipe.
- A 120-volt, 60-Hz, AC-only, 15-ampere, fused electrical supply is required. A time-delay fuse or circuit breaker is recommended. It is recommended that a separate circuit serving only this appliance be provided.

**3.2.1 Recommended Grounding Method**

For your personal safety, this cooktop must be grounded. This cooktop is equipped with a 3-prong ground plug. To minimize possible shock hazard, the cord must be plugged into a mating 3-prong ground-type outlet, grounded in accordance with the National ANSI/NFPA 70 Electrical Code (latest edition\*) or the Canadian Electrical Code (CSA)\*\* and local codes and ordinances. If a mating outlet is not available, it is the personal responsibility and obligation of the customer to have a properly polarized and grounded, 3-prong outlet installed by a qualified electrician.

**Copies of the standards listed above may be obtained from:**

**\* National Fire Protection Association One Batterymarch Park, Quincy, Massachusetts 02269**

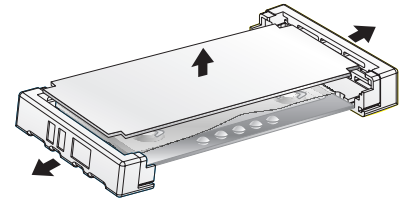
**\*\* CSA International 850,1 East Pleasant Valley Rd., Cleveland OH 44131-5575**



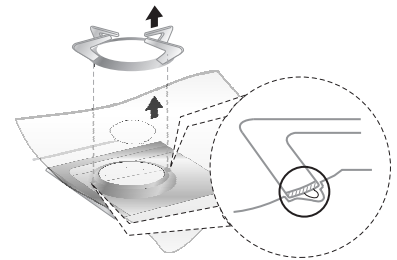


## 4. INSTALLING THE COOKTOP

1) Remove the upper polystyrene guard and the side guards.



2) Remove the grids, the nylon sheet serving to protect the cooktop during shipping and the burner crowns. These parts could make product assembly more difficult.



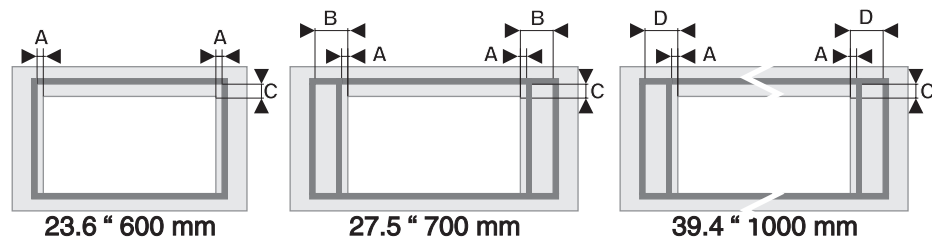
Connection to the gas mains may be made with a flexible metal pipe and conforming to the provisions defined by current standard regulations in force. USE A SOAPY SOLUTION TO CHECK FOR PROPER TIGHTNESS. **NEVER USE A FLAME.**

3) The following procedures must be performed to adjust the gas supply pressure for LP operation of the cooktop:

- 1 Unscrew cap A on the pressure regulator
- 2 Turn it to the part where LP is printed
- 3 Re-tighten it and lock the pins in the slots provided.
- 4 There is an arrow printed on the back of the energy regulator. The tip of the arrow indicates the end to be connected to the cooktop connector.



4) Carefully position the insulation gasket (supplied) on the external perimeter of the hole found on the top surface (see figures below) and try to make it stick to the entire surface by applying light pressure with your hands. Refer to the distances shown in the figure for the model to be installed, keeping in mind that for both models the long front side has to skim the hole.

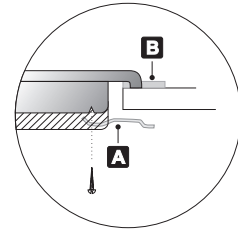


A	B	C	D
5/16"	2 11/16"	9/16"	2 15/16"
8 mm	68 mm	15 mm	75 mm

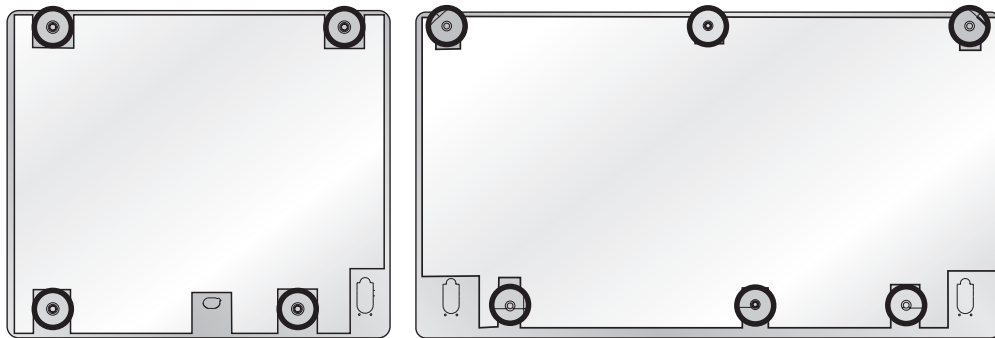


5)

Secure the cooktop to the counter with brackets **A** (supplied). Carefully trim any excess from edge **B** on the gasket. The distances in the following drawing refer to the hole on the inner side of the gasket.



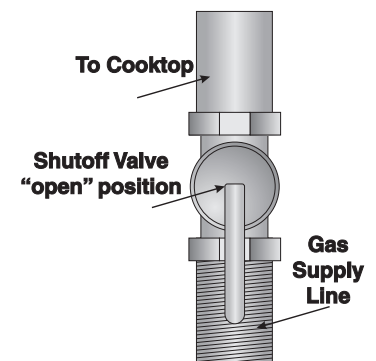
The diagram below shows the exact positions of the holes to be used for clamping the hob to the top by the brackets correctly.



**NOTE:** Use all of the brackets supplied with the appliance to fasten it to the support structure.

6)

Use pipe-joint compound made for use with NATURAL and L.P. gas. If flexible metal connector is used, be certain tubing is not kinked.





## Instructions for the Installer

EN

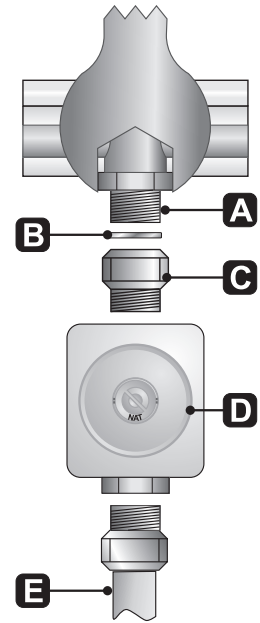
7)

Always use pipe-joint compound made for use with NATURAL GAS and L.P. GAS between pressure regulator **D** and adaptor **C** and between pressure regulator **D** and pipe **E**. If flexible metal conductor is used, be certain tubing is not kinked.

Use only pipes (**E**) conforming to standard regulations in force, inserting gasket **B** (supplied) between fitting **A** adaptor **C**.

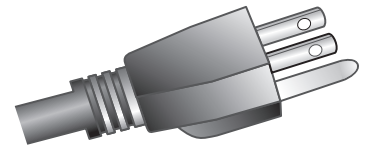
The adaptor **C** must be fitted on the gas connection **A** before fixing the hob.

Always place a suitable sealing medium (such as Teflon tape) between pressure regulator **D** and adaptor **C** and between pressure regulator **D** and pipe **E**.



8)

Plug power supply cord into grounded outlet.





## 5. CHECKING OPERATION

After having fastened the top to the support structure, some simple procedures are required to check for proper operation.

- 1) Check for any gas leaks in the vicinity of the cooktop connector, the pressure regulator and the safety valve.



### WARNING



### FIRE HAZARD

- Use a soapy solution to check for proper tightness.
- Never test for gas leaks with a match or other flames.
- Failure to follow this instruction can result in death or fire

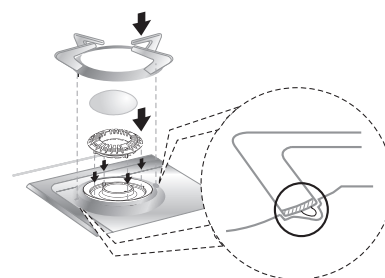


**NOTE:** The regulator is fitted with a checkpoint outlet gas pressure to check the exact pressure supplied to the appliance.

2)

Refit the crowns, flame caps and grids on the cooktop in the following order:

- 1 Fit the crowns, ensuring that they are perfectly locked into their housing on the cooktop.
- 2 Fit the flame caps on the crowns, ensuring that the edges match perfectly.
- 3 Fit the grids, making sure to fasten the side spokes in the special "A" seats found on the cooktop.





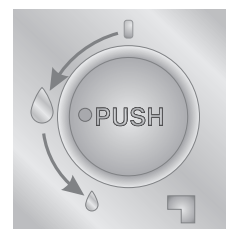
These procedures must be repeated for each burner on the cooktop.

**CAUTION:** refit all flame caps in the same points from which they were removed. In fact, the flame cap positions cannot be changed. After refitting them, ensure that they are fitted perfectly and that there is no clearance between the top and the flame caps.

3)

The cooktop's electrical circuit can be checked for proper operation only after top assembly has been completed as described in step 2) and you have checked to ensure that all parts have been fitted properly:

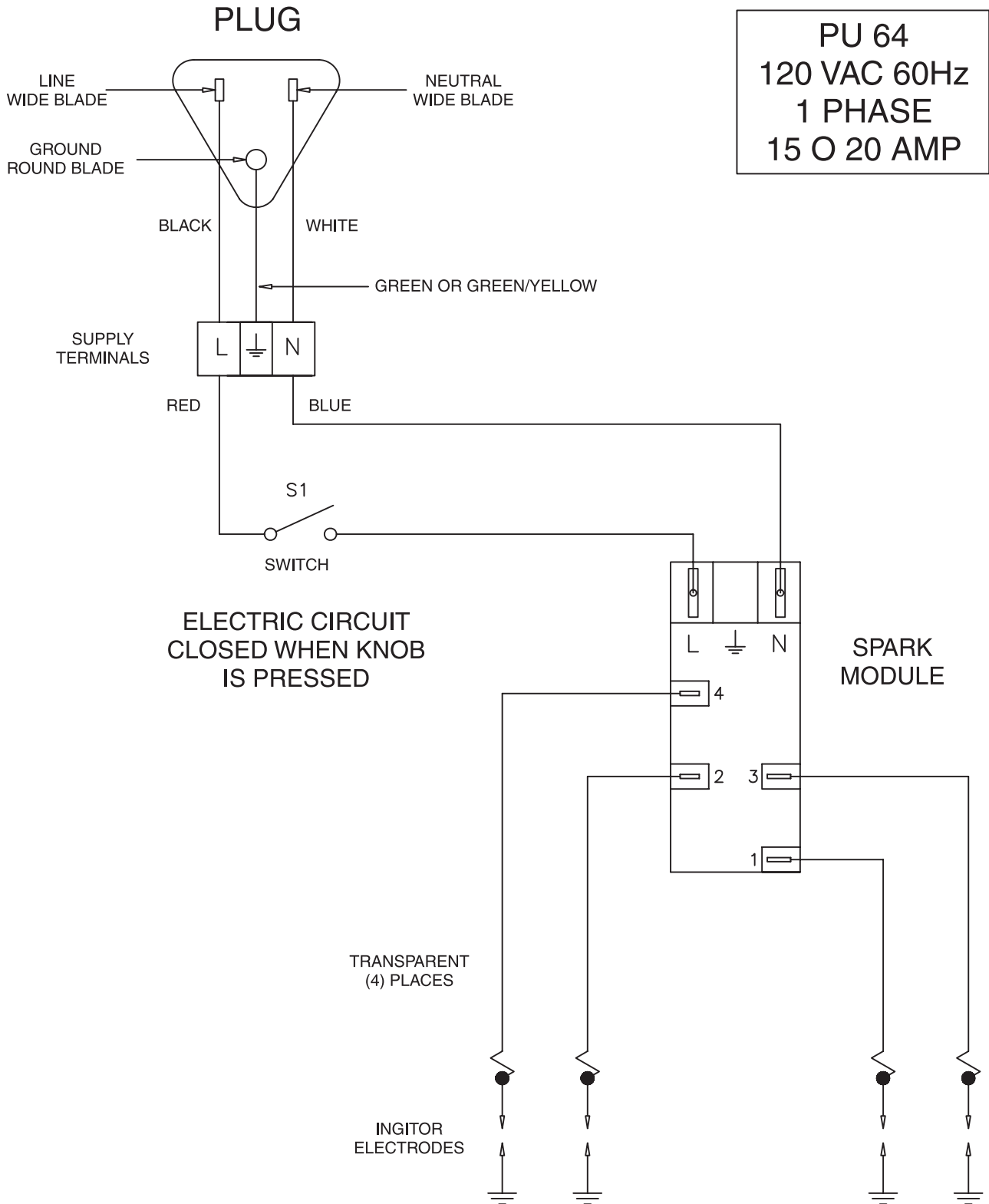
- 1 a spark must light on all burners when the knobs on the top are pressed
- 2 when each knob on the cooktop is pressed and turned to the min flame symbol (  ), the entire crown should light.
- 3 If burners do not light properly, turn the control knob to the "OFF" position  . Check that burner caps and crowns are in the proper position. Check that the power supply cord is plugged in and that circuit breaker or house fuse has not blown. Check that the shut-off valve is in the "ON" position. Check operation again. If a burner does not light at this point, contact your dealer for assistance.





## 6. WIRING DIAGRAMS

The power cord on this appliance is equipped with a three prong polarized plug (grounding) which mates with standard three pronged (grounding) wall receptacles.



### WARNING

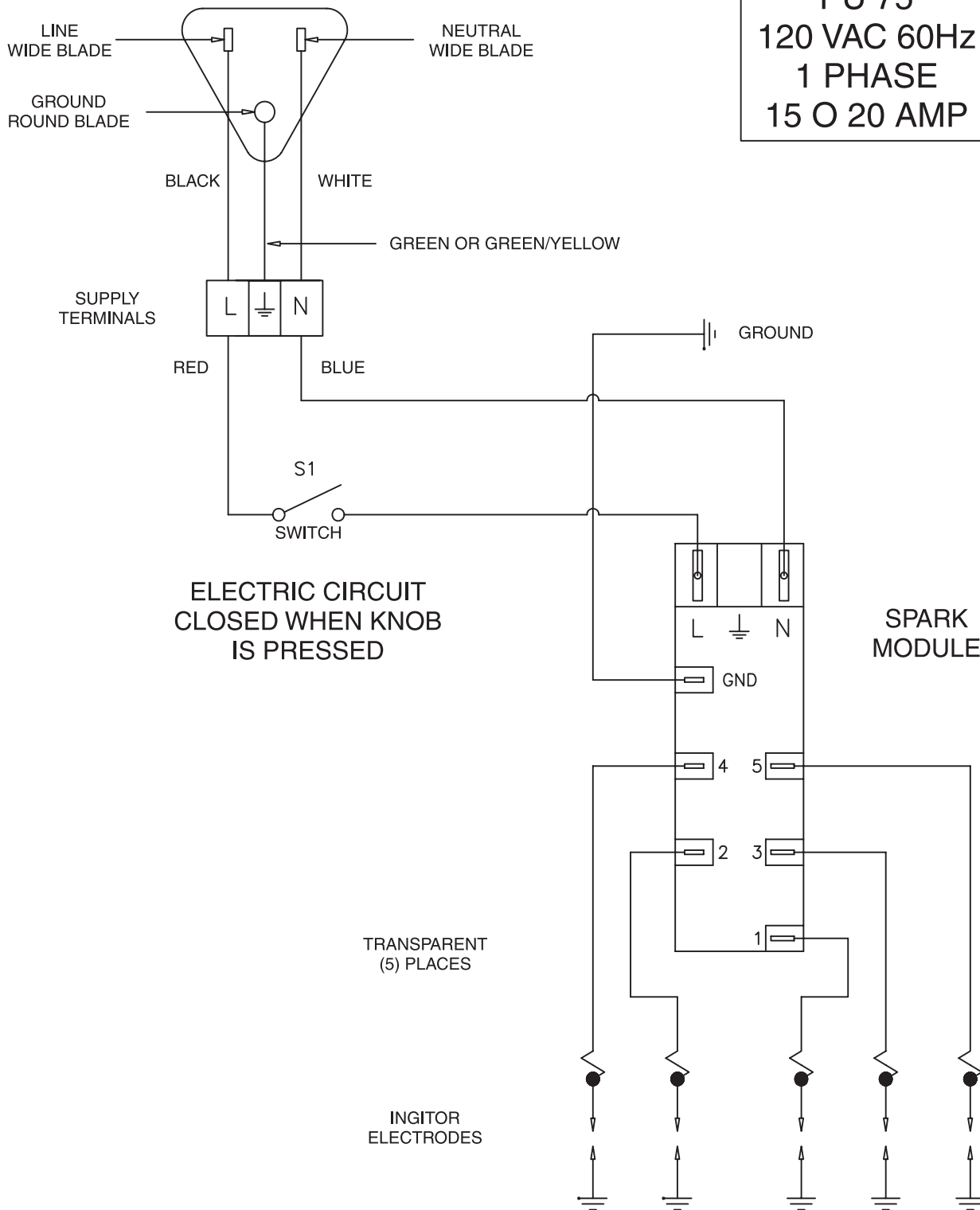
**Label all wires prior to disconnection when servicing controls. Wiring errors can cause improper and dangerous operation. Verify proper operation after servicing.**



The power cord on this appliance is equipped with a three prong polarized plug (grounding) which mates with standard three pronged (grounding) wall receptacles.

**PLUG**

**PU 75**  
**120 VAC 60Hz**  
**1 PHASE**  
**15 O 20 AMP**



**WARNING**

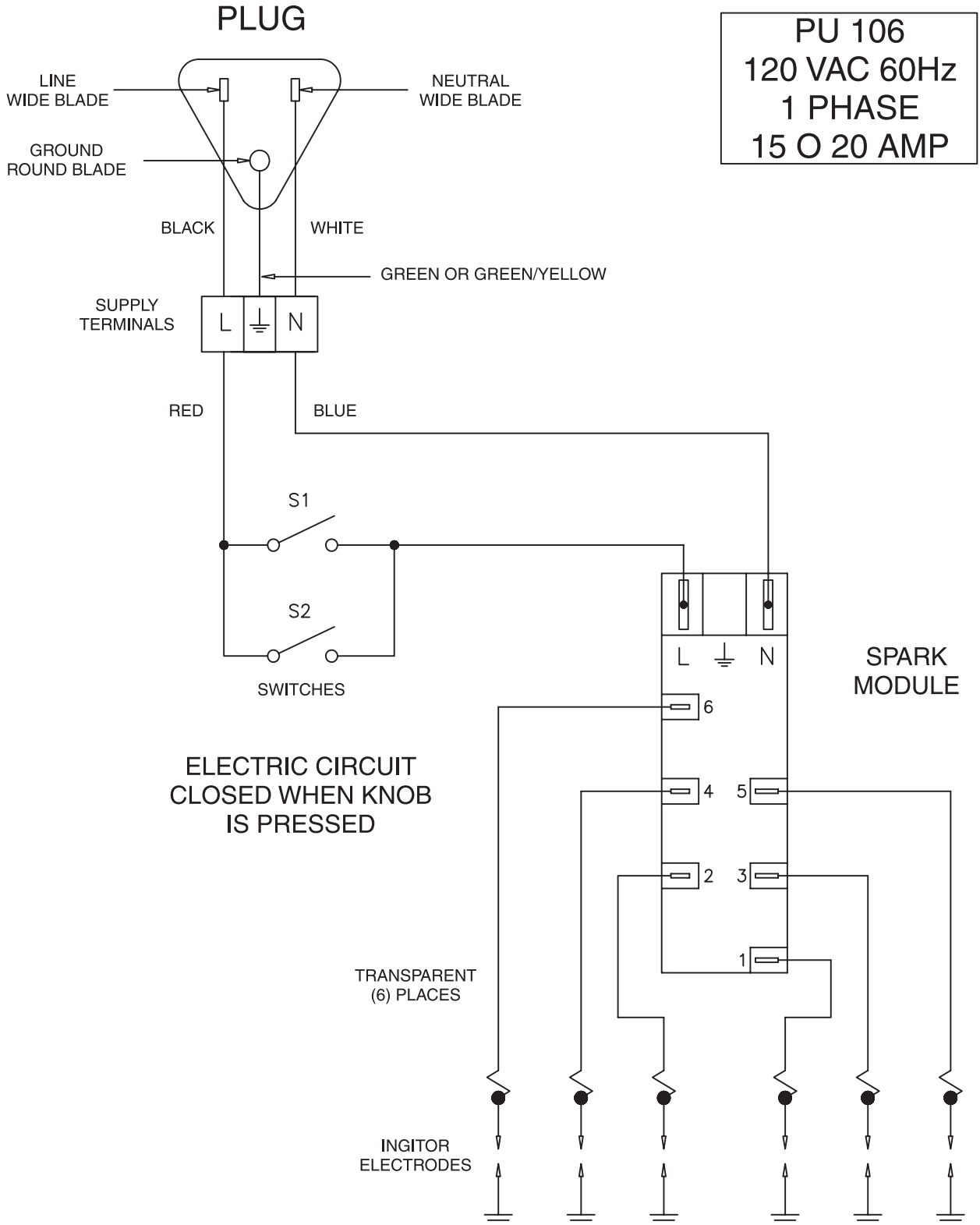
**Label all wires prior to disconnection when servicing controls. Wiring errors can cause improper and dangerous operation. Verify proper operation after servicing.**



# Instructions for the Installer



The power cord on this appliance is equipped with a three prong polarized plug (grounding) which mates with standard three pronged (grounding) wall receptacles.



## WARNING

**Label all wires prior to disconnection when servicing controls. Wiring errors can cause improper and dangerous operation. Verify proper operation after servicing.**