

1. IMPORTANT SAFETY INSTRUCTIONS	4
2. COOKTOP MEASUREMENTS	5
3. POSITIONING THE COOKTOP AND LOCATION REQUIREMENTS	6
3.1 Type A installation measurements (Empty base)	7
3.2 Type B installation measurements (Complete base)	8
3.3 Gas supply requirements	10
3.4 Electrical requirements	11
4. INSTALLING THE COOKTOP	13
5. CHECKING OPERATION	16
6. WIRING DIAGRAMS	17



WARNING: For your safety, the information in this manual must be followed to minimize the risk of fire or explosion, or to prevent property damage, personal injury or death.



Do not store or use gasoline or other flammable vapors and liquids near this or any other appliance.

WHAT TO DO IF YOU SMELL GAS

- Do not attempt to switch on any appliances.
- Do not touch any electrical switches.
- Do not use any telephones in your building.
- Immediately call your gas supplier from a neighbor's phone. Follow the gas supplier's instructions.
- If you cannot reach your gas supplier, call the fire department.

Installation and service must be performed by a qualified installer, service agency or the gas supplier.



INSTRUCTIONS FOR THE INSTALLER: these are intended for the **qualified engineer** who is able to install, commission and test the appliance

1. IMPORTANT SAFETY INSTRUCTIONS



READ AND SAVE THESE INSTRUCTIONS – Your safety and the safety of others are very important. We have provided many important safety messages throughout this manual and on the appliance. Read all instructions before using the appliance and always obey all safety messages.



RECOGNIZE SAFETY INFORMATION

This is a safety alert symbol. This symbol alerts you to potential hazards that can kill or hurt you and others.

UNDERSTAND SIGNAL WORDS

A signal word – DANGER, WARNING, or CAUTION – is used with the safety alert symbol. DANGER identifies the most serious hazards. It means you can be killed or seriously injured if you do not immediately follow the instructions. WARNING means you can be killed or seriously injured if you do not follow the instructions. CAUTION indicates a potentially hazardous situation which, if not avoided, may result in minor or moderate injury.

All safety messages will inform you of potential hazards, on how to reduce the risk of injury and what can occur if the instructions are not followed.

IMPORTANT: Observe all governing codes and ordinances.

WARNING: For your safety, the information in this manual must be followed to minimize the risk of fire or explosion, or to prevent property damage, personal injury or death.



Do not store or use gasoline or other flammable vapors and liquids near this or any other appliance.

WHAT TO DO IF YOU SMELL GAS

- Do not attempt to switch on any appliances.
- Do not touch any electrical switches.
- Do not use any telephones in your building.
- Immediately call your gas supplier from a neighbor's phone. Follow the gas supplier's instructions.
- If you cannot reach your gas supplier, call the fire department.

Installation and service must be performed by a qualified installer, service agency or gas supplier.



NOTE: This cooktop is manufactured for use with Natural gas. To convert to LP/Propane gas, see instructions in the Gas Conversion Kit provided in the literature package.

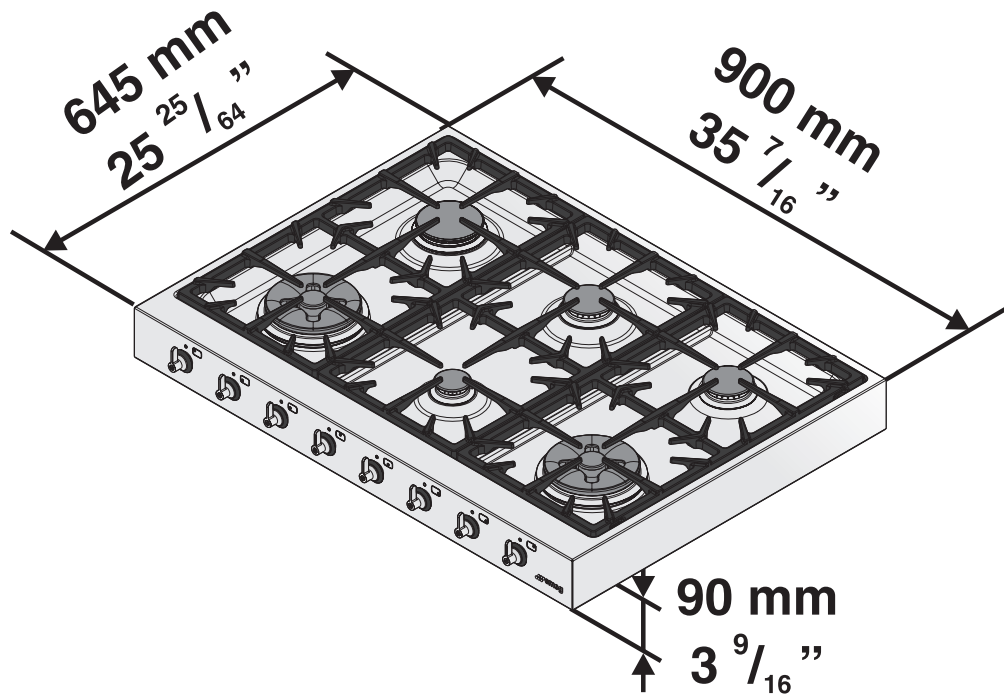
The proper gas supply connection must be available. See "3.3 Gas supply requirements".

In the State of Massachusetts, the following installation instructions apply:

- Installations and repairs must be performed by a qualified or licensed contractor, plumber, or gasfitter qualified or licensed by the State of Massachusetts.
- If using a ball valve, it shall be the T-handle type.
- A flexible gas connector, when used, must not exceed 3 feet.



2. COOKTOP MEASUREMENTS





3. POSITIONING THE COOKTOP AND LOCATION REQUIREMENTS



NOTE: The following operation requires construction and/or carpentry work and must therefore be carried out by a competent technician.

The cooktop may be installed on various materials, such as masonry, metal, solid wood, plastic laminated wood etc. As long as they are heat resistant (T = 90°C - 194° F).

Observe all governing codes and ordinances. Do not obstruct flow or combustion and ventilation air.

- It is the responsibility of the installer to comply with installation guidelines specified on the model/serial ID plate. The model/serial ID plate is located on the bottom of the cooktop burner box.
- The cooktop should be installed in a location away from strong draft areas, such as windows, doors and strong heating vents or fans.
- Any openings in the wall or floor where the cooktop is to be installed must be sealed.
- The cabinet opening dimensions that are shown must be used. The given dimensions are the minimum clearances.
- A grounded electrical supply is required. See the “3.4 Electrical requirements” section. The proper gas supply connection must be available. See the “3.3 Gas supply requirements” section.

To prevent accidents or ruining the removable components of the appliance, the following steps must be taken before performing the procedures described below:

- 1 Remove all packaging parts (e.g. crate, carton, styrofoam and metal hooks). Do not throw away this manual as it is an integral part of the appliance and it should be kept handy for easy reference whenever needed.
- 2 Temporarily remove all removable parts from the cooktop that could fall and cause personal injury or damage to objects (burners, crowns and flame caps) during the hook-up. These parts must be refitted before using the appliance.

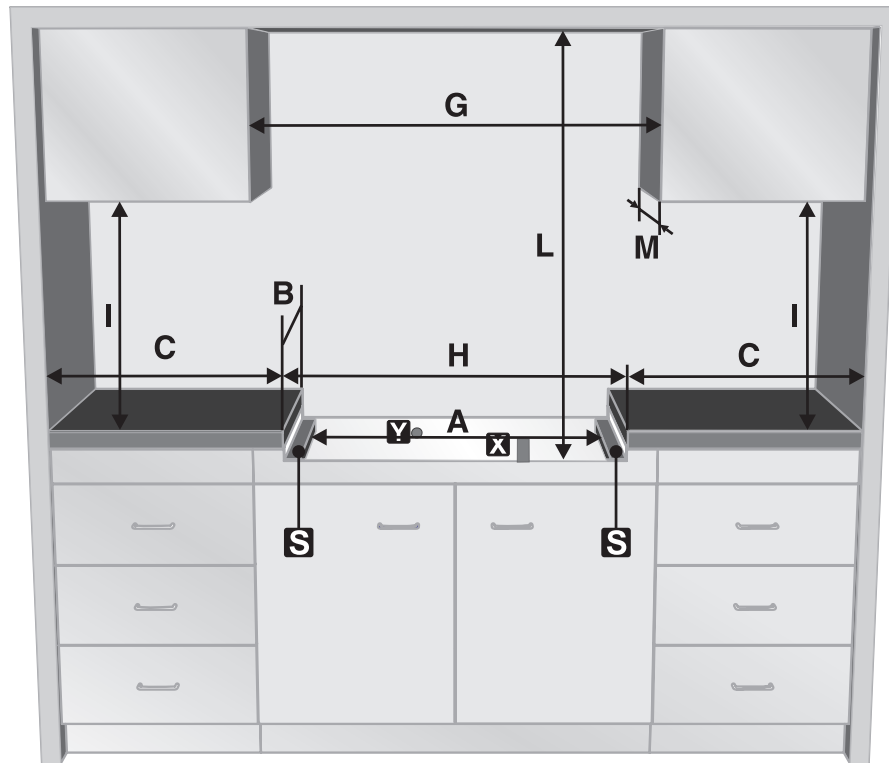
The measurements in the tables referring to the figure below must be followed when attaching the appliance to the support structure.



Instructions for the Installer

EN

3.1 Type A installation measurements (Empty base)



DISTANCES	A	B	C	G	H	I	L	M
MINIMUM	866 mm 34 ³ / ₃₂ ”	630 mm 25 ³ / ₁₆ ”	210 mm 8 ¹ / ₄ ”	900 mm 35 ⁷ / ₁₆ ”	904 mm 35 ⁵ / ₈ ”	457 mm 18 ”	762 mm 30 ”	-
MAXIMUM	866 mm 34 ³ / ₃₂ ”	650 mm 25 ⁹ / ₁₆ ”	-	-	-	-	-	330 mm 13 ”



The support strips **S** must be properly sized and fastened so that they can support the appliance.



Gas line opening

Wall: everywhere, 5" (12.7 cm) beneath the underside of the countertop.

Cabinet base: everywhere, within 6" (15.2 cm) from the rear wall is recommended.



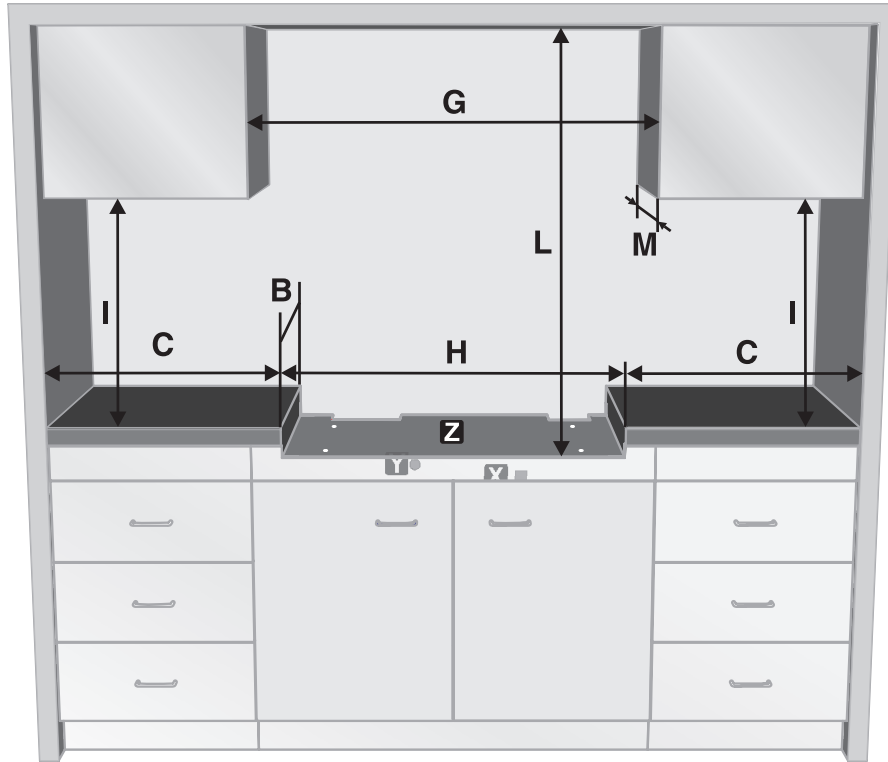
Grounded outlet

Position within 24" (61 cm) from the right rear corner of the cut out drawer.

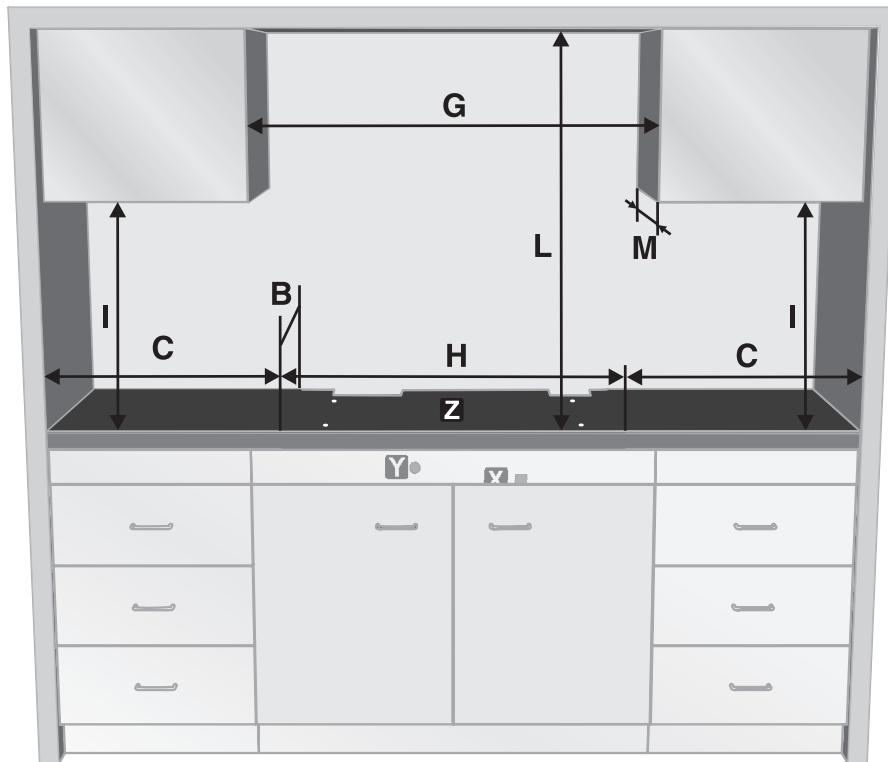


3.2 Type B installation measurements (Complete base)

B₁



B₂





Instructions for the Installer

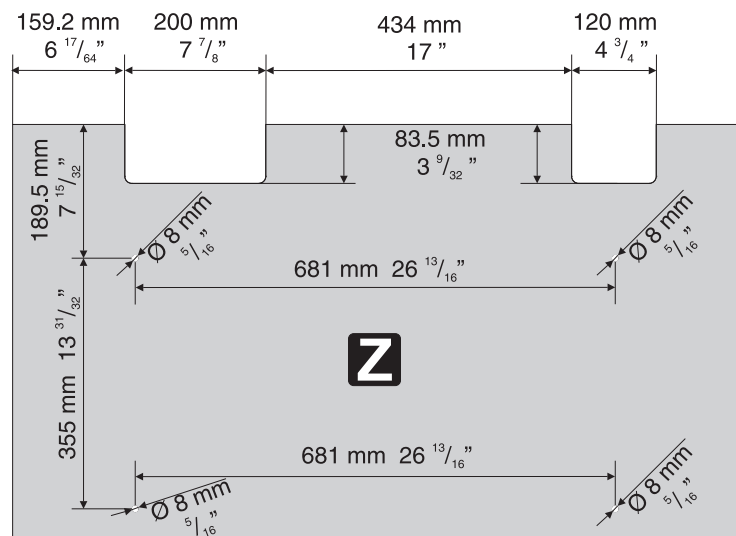
EN

DISTANCES	B	C	G	H	I	L	M
MINIMUM	630 mm 25 ³ / ₁₆ "	210 mm 8 ¹ / ₄ "	900 mm 35 ⁷ / ₁₆ "	904 mm 35 ⁵ / ₈ "	457 mm 18 "	762 mm 30 "	-
MAXIMUM	650 mm 25 ⁹ / ₁₆ "	-	-	-	-	-	330 mm 13 "

Z

CABINET BASE:

Make two openings in the back of base that have the dimensions given alongside. The left opening will be used for the passing of the gas connection, while the right opening is for the electric connection. For the fastening, drill 4 holes (8 mm or ⁵/₈ " diameter) in the positions shown alongside.



The distances of the holes and the openings for the connections refer to the cooktop installed against the rear wall.

Y

Gas line opening

Wall: everywhere, 5" (12.7 cm) beneath the underside of the countertop.

X

Grounded outlet

Position within 24" (61 cm) from the right rear corner of the cut out drawer.



3.3 Gas supply requirements

EXPLOSION HAZARD

WARNING



- Use a new AGA or CSA-approved gas supply line.
- The supply line must be equipped with a manual shut-off valve. This valve should be located in the same room but away from the cooktop. It should be in a location where it can be easily opened and closed. Do not block access to the shut-off valve. The valve is for turning on or shutting off gas to the cooktop.
- Securely tighten all gas connections.
- If connected to LP, have a qualified technician ensure that the gas pressure does not exceed a 14" water column.
- Examples of qualified technicians include licensed heating personnel, authorized gas company personnel, and authorized service personnel.
- Failure to do so can result in death, explosion, or fire.



NOTE:

- Observe all governing codes and ordinances.
- The cooktop must be connected to a regular gas supply.

1)

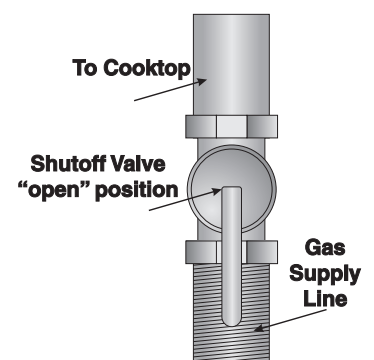
This installation must conform with all local codes and ordinances. In the absence of local codes, installation must conform with American National Standard, National Fuel Gas Code ANSI Z223.1 - latest edition or CAN/CGA B149 - latest edition.

2)

If local codes permit, a flexible metal appliance connector with the new AGA or CSA certified design, 4-5 feet (1.2-1.5 m) long, 1/2" or 3/4" I.D., is recommended for connecting this cooktop to the gas supply line. Do not bend or damage the flexible connector when moving the cooktop. The pressure regulator has 3/8" female pipe threads. You will need to determine the fittings required, depending on the size of your gas supply line, the flexible metal connector and the shut-off valve.

3)

The supply line must be fitted with an approved shut-off valve. This valve should be located in the same room as the cooktop and should be in a location where it can be easily opened and closed. Do not block access to the shut-off valve. The valve is necessary for turning the gas to the appliance on or off.





Instructions for the Installer

EN

4)

The regulator must be checked at a minimum water column of at least 1" W.C. above the set pressure. The inlet pressure to the regulator should be as follows for operation and checking the regulator setting:

- **NATURAL GAS:** Set pressure at 4" water column (101.6 mm). Supply pressure 3 1/2" - 10 1/2" W.C.
- **LP GAS:** Set pressure at 11" W.C. Supply pressure 8"- 13" W.C. maximum.

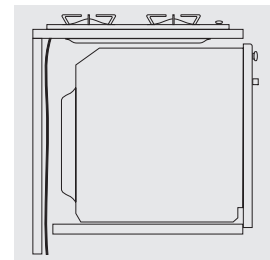


5)

Line pressure testing: Testing above 112 PSI (3.5 kPa), with water column of 14" (35.6 cm) (gauge). The cooktop and its individual shut-off valve must be disconnected from the gas supply piping system during any pressure testing of that system at test pressures greater than 1/2 psig (3.5 kPa). Testing below 112 PSI (3.5 kPa) with a water column of 14" (35.6 cm) (gauge) or lower. The cooktop must be isolated from the gas supply piping system by turning off the respective manual shut-off valve during any pressure testing of the gas supply piping system at test pressures equal to or less than 1/2 psig (3.5 kPa).

6)

If the appliance is installed on an oven, the gas pipe must not pass along the back of the oven, as this may cause overheating.



3.4 Electrical requirements

ELECTRICAL SHOCK HAZARD



WARNING

- Plug into a grounded 3-prong outlet.
- Do not cut or remove the ground prong.
- Do not use an adaptor.
- Do not use an extension cord.
- Failure to follow these instructions can result in death, fire, or electrical shock.

- If codes permit and a separate ground wire is used, it is recommended that the suitability of the ground path be checked by a qualified electrician.
- Check with a qualified electrician if you are not sure whether the cooktop is properly grounded. Do not ground to a gas pipe.
- A 120-volt, 60-Hz, AC-only, 15-ampere, fused electrical supply is required. A time-delay fuse or circuit breaker is recommended. It is recommended that a separate circuit serving only this appliance be provided.

**3.4.1 Recommended Grounding Method**

For your personal safety, this cooktop must be grounded. This cooktop is equipped with a 3-prong ground plug. To minimize possible shock hazard, the cord must be plugged into a mating 3-prong ground-type outlet, grounded in accordance with the National ANSI/NFPA 70 Electrical Code (latest edition*) or the Canadian Electrical Code (CSA)** and local codes and ordinances. If a mating outlet is not available, it is the personal responsibility and obligation of the customer to have a properly polarized and grounded 3-prong outlet installed by a qualified electrician.

Copies of the standards listed above may be obtained from:

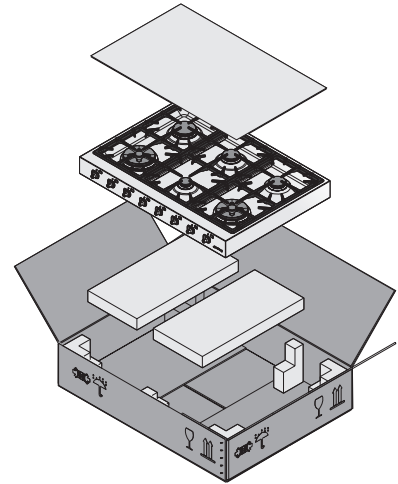
*** National Fire Protection Association One Batterymarch Park, Quincy, Massachusetts 02269**

**** CSA International 850,1 East Pleasant Valley Rd., Cleveland OH 44131-5575**



4. INSTALLING THE COOKTOP

- 1) Remove the styrofoam protection and lift the cooktop in order to extract it from the side protectors and the box.



Connection to the gas mains should be made with a flexible metal pipe and conforming to the provisions defined by the current standard regulations in force. USE A SOAPY SOLUTION TO CHECK THAT IT IS LEAK-TIGHT.

NEVER USE A FLAME.

Follow these instructions to leak test the appliance:

2)

The following procedures must be carried out to adjust the gas supply pressure for LP operation of the cooktop:

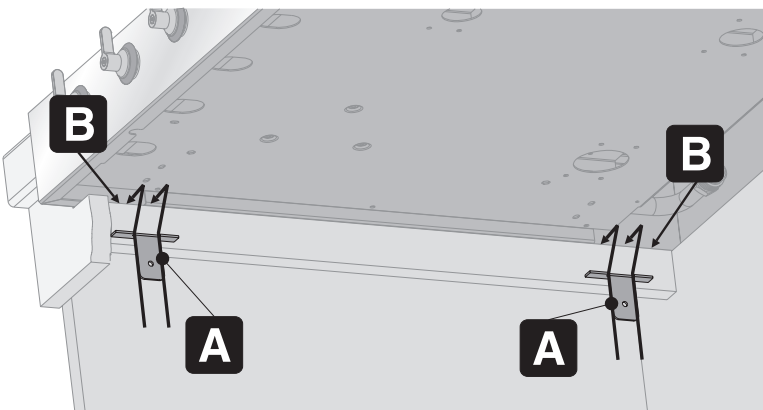
- 1 Unscrew cap A on the pressure regulator
- 2 Turn it to where LP is printed
- 3 Re-tighten it and lock the pins in the slots provided.
- 4 There is an arrow printed on the back of the energy regulator. The tip of the arrow indicates the end to be connected to the cooktop connector.





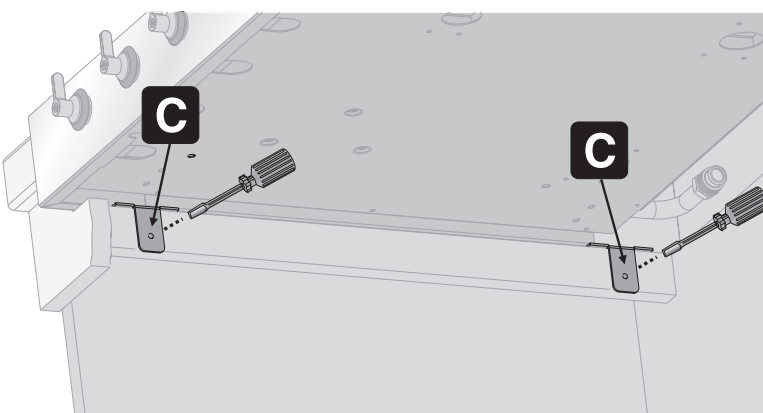
FASTENING FOR TYPE A INSTALLATION:

After the cooktop is positioned, overlap two brackets (A) (per side) underneath the cooktop (B).



1)

Tighten the fastening screws (C) provided to the support strips so that once they are tightened, the cooktop is securely fastened to the structure.



2)

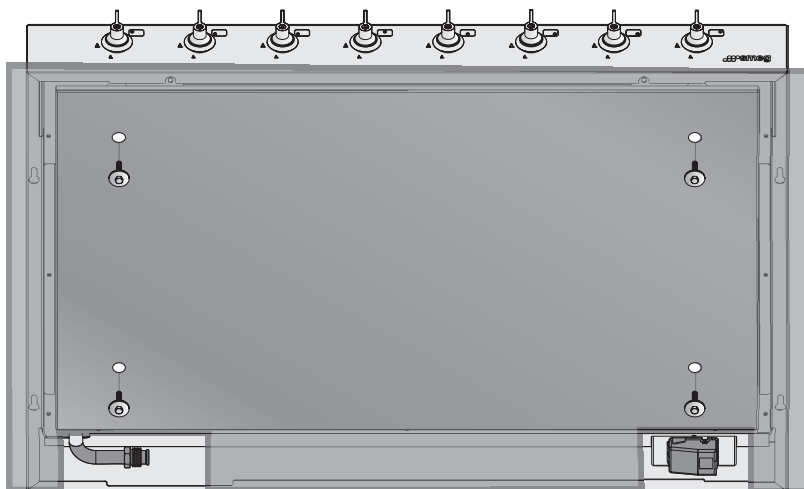
3)



NOTE: Use all of the brackets supplied with the appliance to fasten it to the support structure.

FASTENING FOR TYPE B1 AND B2 INSTALLATION:

After the cooktop has been positioned, fasten it in the indicated spots using the 4 metric screws provided. Make sure that the holes for the cooktop are centred with those of the structure.



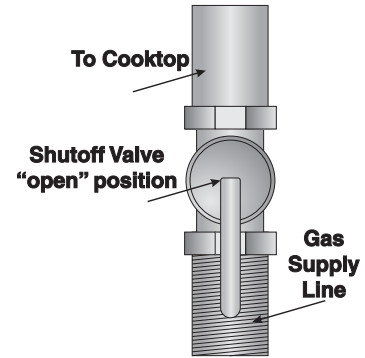


Instructions for the Installer

EN

4)

Use a pipe-joint compound made for use with NATURAL and L.P. gas. If a flexible metal pipe is used, make sure that the tubing is not kinked.



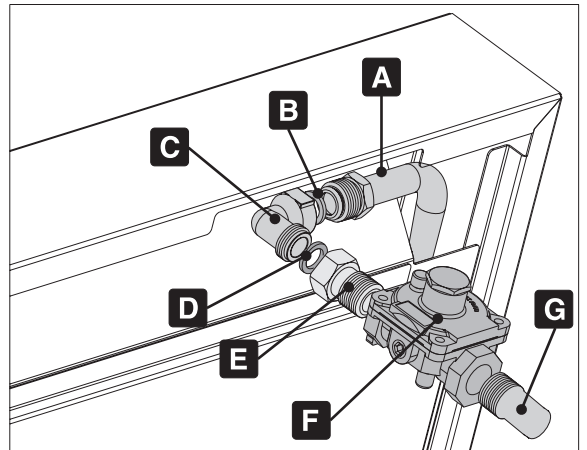
5)

Always use a pipe-joint compound made for use with NATURAL GAS and L.P. GAS between pressure regulator **F** and adaptor **E** and between pressure regulator **F** and pipe **G**. If a flexible metal conductor is used, make sure that the tubing is not kinked.

Use only pipes (**G**) conforming to the standard regulations in force, inserting gasket **D** (supplied) between fitting **C** adaptor **E**.

Always place a suitable sealing medium (such as Teflon tape) between pressure regulator **F** and adaptor **E** and between pressure regulator **F** and pipe **G**.

The adaptor **C** must be fitted on the gas connection **A** inserting gasket **B** (supplied).

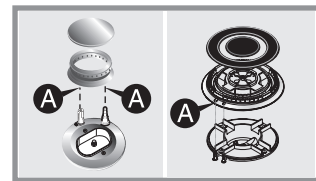


WARNING: The tightening torque of adaptor **C** and **E** must not be greater than 1416.2 ozf-in (10 Nm).

6)

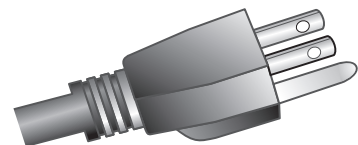
Before turning on the burners, make sure that the flame-spreader crowns and the respective caps are properly fitted in their housings.

Make sure that the flame-spreader holes **A** are aligned with the ignition plugs and the thermocouples.



7)

Plug the power supply cord into the grounded outlet.





5. CHECKING OPERATION

After having fastened the top to the support structure, some simple procedures are required in order to check that it works properly.

- 1) Check for any gas leaks near the cooktop connector, the pressure regulator and the safety valve.



WARNING



FIRE HAZARD

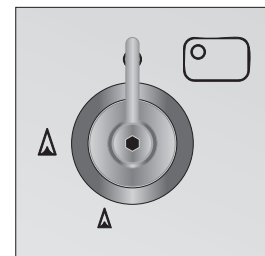
- Use a soapy solution to check that it is leak-tight.
- Never test for gas leaks with a match or other flames.
- Failure to follow this instruction can result in death or fire



NOTE: The regulator is fitted with a checkpoint outlet gas pressure to check the exact pressure supplied to the appliance.

The cooktop's electrical circuit can be checked for proper operation only after assembly has been completed and you have checked to ensure that all parts have been fitted properly:

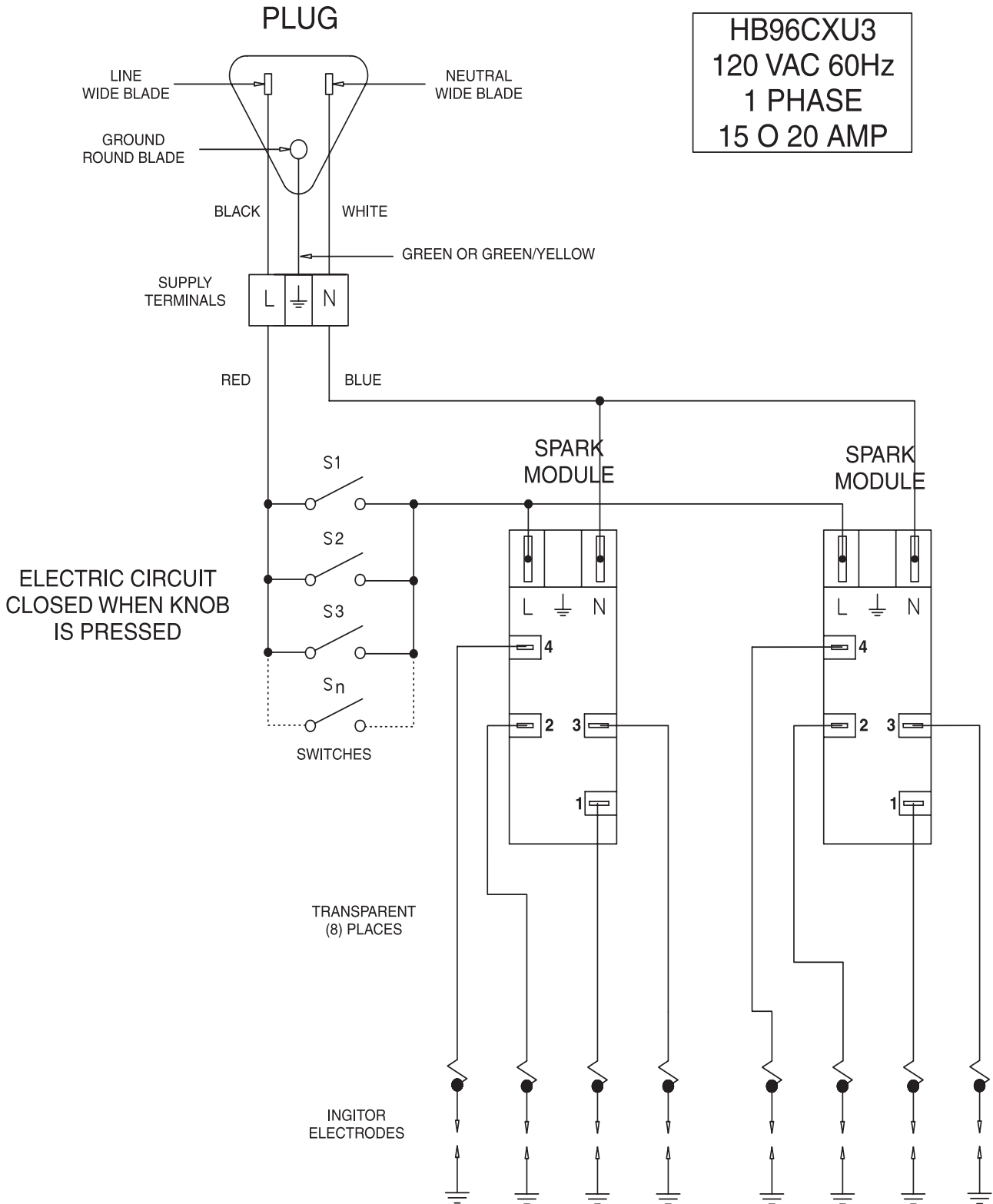
- 1 a spark must ignite on all burners when the knobs on the top are pressed.
- 2 when each knob on the cooktop is pressed and turned to the low flame symbol (Δ), the entire crown should light.
- 3 If burners do not light properly, turn the control knob to the "OFF" position O. Check that burner caps and crowns are in the proper position. Check that the power supply cord is plugged in and that the circuit breaker or house fuse has not blown. Make sure that the shut-off valve is in the "ON" position. Check operation again. If a burner does not light at this point, contact your dealer for assistance.





6. WIRING DIAGRAMS

The power cord on this appliance is equipped with a three prong polarized plug (grounding) which fits in standard three pronged (grounding) wall outlets.



WARNING

When servicing the controls, label all wires prior to disconnection. Wiring errors can cause improper and dangerous operation. Verify proper operation after servicing.