

C9GGXU



Free-Standing Gas Range, 36" ,
Stainless Steel

AISI 304 stainless steel
Ergonomic control knobs

OVEN

Electronic clock and program feature
Air cooled triple glazed removable door
Storage compartment beneath the oven
Halogen oven lights

Oven capacity: 4.1 Cu. Ft
Usable oven capacity: 3.5 Cu.Ft
Gas broil element: 19,000 BTU
Gas bake element: 18,000 BTU

GAS RANGETOP

Heavy duty cast iron grates
Full width grates
Sealed burners
Automatic electronic ignition
Safety valves
LP Gas conversion kit included

6 Gas burners:

Front right: 6,200 BTU rapid burner
Back right: 10,000 BTU rapid burner
Front center: 3,400 BTU burner
Back center: 6,200 BTU rapid burner
Front left: 3,000 (inner) + 12,000 (outer) BTU
double inset super burner
Back left: 3,400 BTU burner

5" Polished stainless steel backsplash

Connected load (nominal power): 120V- 100W
Amp supply required @ 120V: 1

ACCESSORIES INCLUDED:

2 Baking trays, 1 Broiler rack, 2 Wire racks,
1 Wok ring

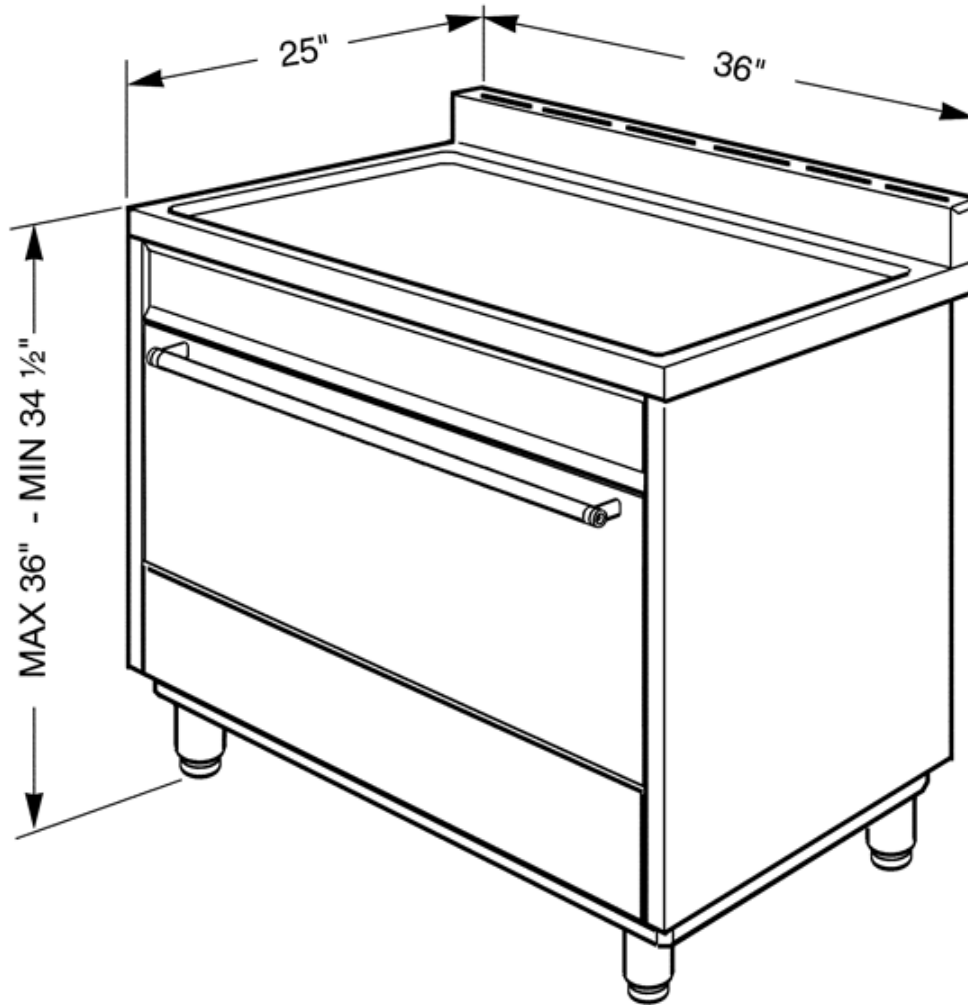


**SMEG USA INC.
A&D BUILDING
150 EAST 58th STREET
7th FLOOR
NEW YORK, NY, 10155**

C9GGXU



Free-Standing Gas Range, 36" ,
Stainless Steel



SMEG USA INC.
A&D BUILDING
150 EAST 58th STREET
7th FLOOR
NEW YORK, NY, 10155