

1. IMPORTANT SAFETY INSTRUCTIONS .....	4
2. DIMENSIONAL REQUIREMENTS .....	7
2.1 Product dimensions .....	8
3. UNPACKING, MOVING AND POSITIONING THE RANGE .....	9
4. WALL FIXING AND ANTI-TIP DEVICE .....	10
4.1 Tools required for installation of the Anti-Tip Device: .....	10
4.2 Instructions for wall fixing .....	10
4.3 Mounting the rear top upstand .....	11
5. ELECTRICAL CONNECTION .....	12
5.1 US installation only / 3-wire branch circuit .....	13
5.2 US installation and canadian installation / 4-wire branch circuit .....	14
6. GAS SUPPLY REQUIREMENTS .....	15



**NOTE: THIS APPLIANCE MUST BE INSTALLED SOLELY AND EXCLUSIVELY BY A QUALIFIED TECHNICIAN. ANY TECHNICAL PROCEDURES MUST BE CARRIED OUT BY AN AUTHORIZED TECHNICIAN.**



**INSTRUCTIONS FOR THE INSTALLER:** *these are intended for the **qualified engineer** who is able to install, commission and test the appliance*

## 1. IMPORTANT SAFETY INSTRUCTIONS



**READ AND SAVE THESE INSTRUCTIONS** – Your safety and the safety of others are very important. We have provided many important safety messages throughout this manual and on the appliance. Read all instructions before using the appliance and always obey all safety messages.



### RECOGNIZE SAFETY INFORMATION

This is a safety alert symbol. This symbol alerts you to potential hazards that can kill or hurt you and others.

### UNDERSTAND SIGNAL WORDS

A signal word – DANGER, WARNING, or CAUTION – is used with the safety-alert symbol. DANGER identifies the most serious hazards. It means you can be killed or seriously injured if you do not immediately follow the instructions. WARNING means you can be killed or seriously injured if you do not follow the instructions. CAUTION indicates a potentially hazardous situation which, if not avoided, may result in minor or moderate injury.

All safety messages will inform you of potential hazards, on how to reduce the risk of injury and what can occur if the instructions are not followed.

**IMPORTANT:** Installation, gas connections and grounding must comply with applicable codes. Observe all governing codes and ordinances.

**WARNING:** For your safety, the information in this manual must be followed to minimize the risk of fire or explosion, or to prevent property damage, personal injury or death.



### WARNING

- If the information in this manual is not followed exactly, a fire or explosion may result causing property damage, personal injury or death.
- Disconnect power before installing. Before turning power ON, be sure that all controls are in the OFF position.
- Do not store or use gasoline or other flammable vapors, liquids or materials near this or any other appliance.

## WHAT TO DO IF YOU SMELL GAS

- Do not attempt to switch on any appliances.
- Do not touch any electrical switches.
- Do not use any phones in your building.
- Immediately call your gas supplier from a neighbor's phone. Follow the gas supplier's instructions.
- If you cannot reach your gas supplier, call the fire department.

Installation and service must be performed by a qualified installer, service agency or the gas supplier.

## Important Safety Instruction

EN



**NOTE:** This range is manufactured for use with Natural gas. To convert to LP/Propane gas, see instructions in the Gas Conversion Kit provided in the literature package.

A proper gas supply connection must be available. See "Gas supply requirements".

In the State of Massachusetts, the following installation instructions apply:

- Installations and repairs must be performed by a qualified or licensed contractor, plumber, or gasfitter qualified or licensed by the State of Massachusetts.
- If using a ball valve, it shall be the T-handle type.
- A flexible gas connector, when used, must not exceed 3 feet.



### WARNING



- All ranges can tip
- Injury to persons could result
- Install anti-tip device packed with the range
- See installation instructions

**FAILURE TO FOLLOW THESE INSTRUCTIONS CAN RESULT IN DEATH OR SERIOUS BURNS TO CHILDREN OR ADULTS.**



**NOTE:** This range is NOT designed for installation in manufactured (mobile) homes or for installation in recreational park trailers.

DO NOT install this range outdoors.



### WARNING

**To reduce the risk of fire, electrical shock, injury to persons, or damage when installing the range, some basic precautions must be followed, including:**

- Read all instructions
- Proper installation is your responsibility. Have a qualified technician install and ground this appliance, in accordance with these installation instructions.
- It is the responsibility of the installer to comply with the installation clearances specified on the model/serial ID plate. This plate is visibly positioned in the oven door frame and must not be removed.

**CAUTION:** To eliminate the risk of burns or fire caused by reaching over heated surface units, cabinet storage located above the surface unit should be avoided.

- **ELECTRICAL GROUNDING REQUIRED:** See the "Electrical Connection" section. It is the customer's responsibility:
  - 1 To contact a qualified electrician to install the appliance
  - 2 To ensure that the electrical system is adequate and in conformance with the national ANSI / NFPA 70 ELECTRICAL CODE – Latest edition – Or the CSA STANDARDS C22.1-94, CANADIAN ELECTRICAL CODE, PART 1 AND CSA C22.2 No. O-91 – or latest edition – and all local codes and ordinances. **IMPORTANT:** Observe all governing codes and ordinances.
- Before you plug in the electrical cord, make sure that all the controls are in the OFF position.
- Never modify or alter the construction of the appliance. For example, do not remove leveling legs, panels, wire or anti-tip brackets/screws.



**CAUTION:** This unit is designed as a cooking appliance. Based on safety considerations, never use it for warming or heating a room.

- Do not obstruct ventilation openings and heat dispersal slits.
- Test the appliance immediately after installation, following the instructions in this booklet. If the appliance doesn't work properly, disconnect it from the electrical power supply and call the technical assistance center. **DO NOT attempt to repair the appliance.**
- Any adjustment and servicing must only be performed by qualified installers or service technicians.
- Do not leave the packaging in the home environment. Separate the various waste materials and take them to the nearest specialized waste collection facility.



### WARNING

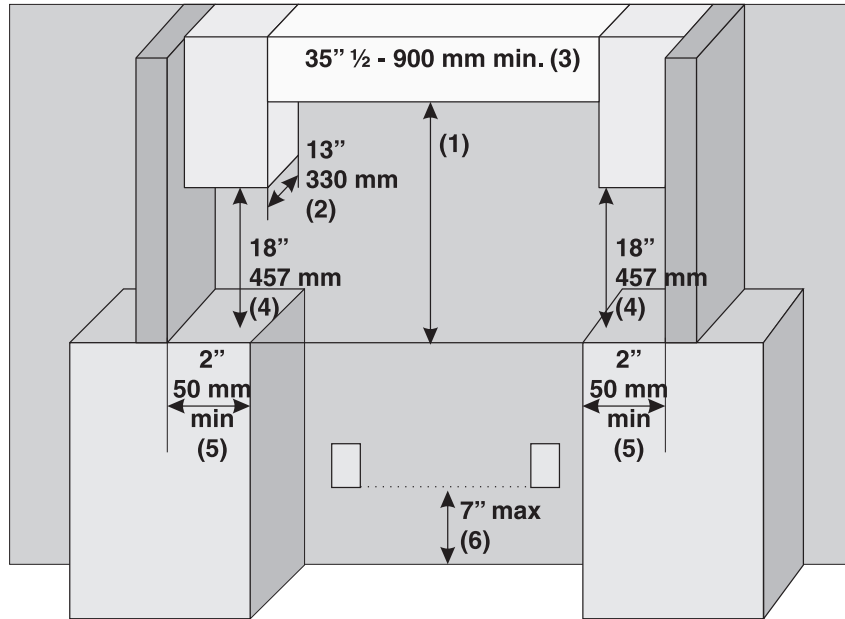
- This appliance is intended for household use only.
- Only use the appliance for its intended purpose. The manufacturer cannot be held responsible for damages caused by improper use of this range.
- This appliance complies with current safety requirements. Improper use of the appliance can lead to personal injury and material damage.
- Read all the instructions before installing or using the range for the first time.
- Keep these operating instructions in a safe place and pass them on to any future user.



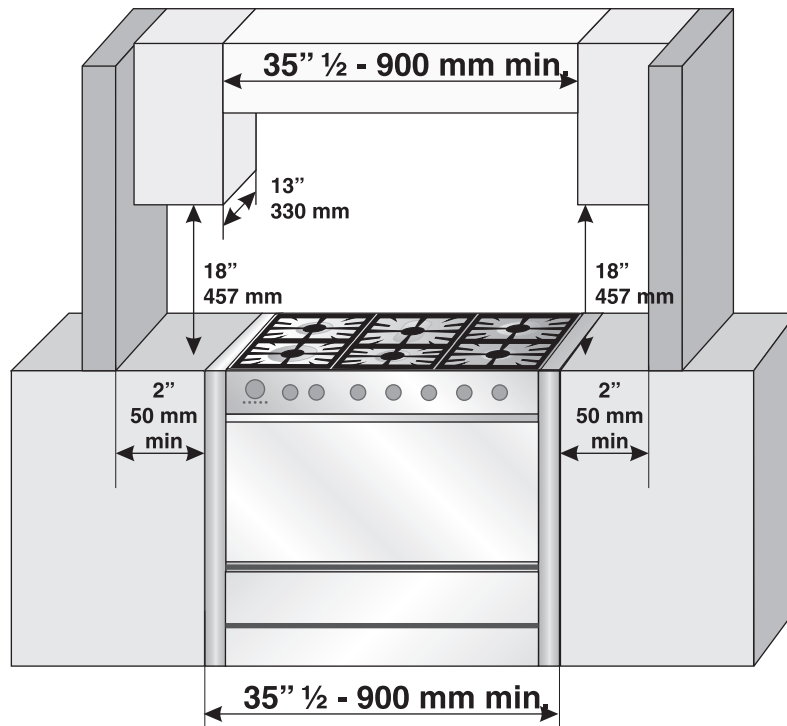
### SAVE AND KEEP THIS BOOKLET



## 2. DIMENSIONAL REQUIREMENTS



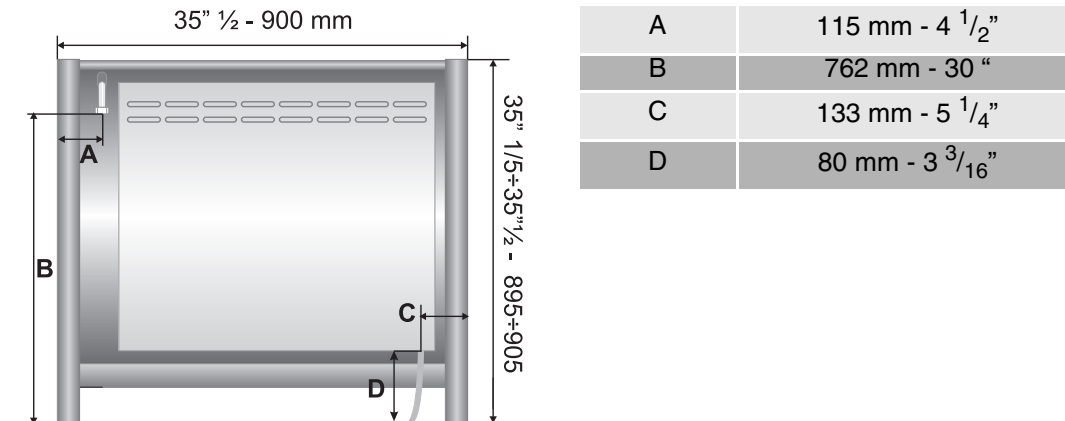
- 1 24" (61 cm) min. when bottom of wood or metal cabinet is protected by not less than 1/4" (0.64 cm) flame retardant millboard covered with not less than No. 28 MSG sheet steel, 0.015" (0.4 mm) stainless steel, 0.024" (0.6 mm) aluminium or 0.020" (0.5 mm) copper. When installed in a 24" (61 cm) base cabinet with 25" (63.5 cm) countertop – the front of the oven door protrudes 1-7/8" (4.8 cm) beyond 24" (61 cm) base cabinet. 30" (76.2 cm) min. clearance between the top of the cooking platform and the bottom of an unprotected wood or metal cabinet;
- 2 13" (33 cm) max. upper cabinet depth;
- 3 35- 1/2" (90 cm) min. cabinet opening width;
- 4 18" (45.7 cm) upper cabinet to countertop;
- 5 2" (5 cm) min. clearance from the sides of range to side wall or other combustible material;
- 6 Junction box.





## 2.1 Product dimensions

Overall dimensions: location of electrical connection points.



Check the location where the range is to be installed. The range should be positioned for convenient use in the kitchen.



**NOTE:** Observe all governing codes and ordinances.

All openings in the wall or floor where range is to be installed must be sealed.

Some cabinet and building materials are not designed to withstand the heat produced by the oven for baking. Check with your builder or cabinet supplier to make sure that the materials used will not discolor, delaminate or sustain other damage.

The cabinet opening dimensions that are shown must be used. The given dimensions are minimum clearances.

When installing a range under existing cabinets and the installation does not satisfy the minimum cabinet clearances, install a range hood above the cooktop to avoid burn hazards.



### **3. UNPACKING, MOVING AND POSITIONING THE RANGE**

**CAUTION:** This unit is designed as a cooking appliance. Based on safety considerations, never use it for warming or heating a room.

- It is recommended that the grates, griddle plate and flame, burner caps, front kick panel and oven racks be removed to facilitate handling. This will reduce the weight for moving operations.
- Remove the outer carton and packing material from the shipping base.
- Remove angle-mounting brackets from the range.
- Due to the weight, a dolly / fork lift with soft wheels should be used to move this unit. The weight must be supported uniformly across the bottom.
- After transporting the professional range close to its final location, the range can be tipped back and supported on the rear legs while the dolly is carefully removed.

**The floor under the legs should be protected (wood, strips, carpet, paneling, and similar) before pushing the unit into position.**

**The anti-tip device must be installed, gas and electrical connections should be made before the range is placed in its final position.**

- For proper performance the professional range must be leveled. The range is leveled by adjusting the four feet to set the appliance on a perfectly level plane. For this purpose, loosen the lock nut and unscrew the foot. The adjustment range of the screw is 10mm.
- Ensure that the burner caps are correctly positioned on the burner bases of the range's cooktop.



## 4. WALL FIXING AND ANTI-TIP DEVICE

### WARNING



- All ranges can tip
- Injury to persons could result
- Install anti-tip device packed with the range
- See installation instructions

**FAILURE TO FOLLOW THESE INSTRUCTIONS CAN RESULT IN DEATH OR SERIOUS BURNS TO CHILDREN OR ADULTS.**

### WARNING



### ELECTRICAL SHOCK HAZARD

- Use extreme caution when drilling holes into the wall or floor. There may be concealed electrical wires located behind the wall or under the floor.
- Identify the electrical circuits that could be affected by the installation of the Anti-Tip Device, then turn off power to these circuits.
- Failure to follow these instructions may result in electrical shock or other personal injury.

### CAUTION: PROPERTY DAMAGE

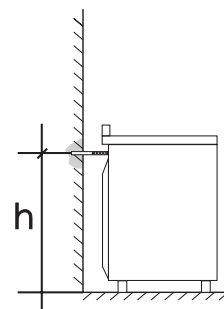
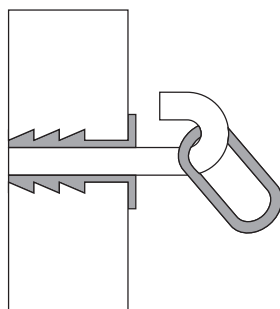
- Contact a qualified installer or contractor to determine the proper method for drilling holes through the wall or floor material (such as ceramic tile, hardwood, etc.)
- Failure to follow these instructions may result in damage to wall or floor coverings.

#### 4.1 Tools required for installation of the Anti-Tip Device:

- |                         |                        |
|-------------------------|------------------------|
| - Ruler or tape measure | - Flat tip screwdriver |
| - Philips screwdriver   | - Gloves               |
| - Pliers                | - 3/8" ratchet wrench  |
| - Safety glasses        | - Wrench               |

#### 4.2 Instructions for wall fixing

- 1 Fasten the screw to the wall and attach the chain (Fig. A);
- 2 Hook the chain to the hole positioned at the rear of the range (Fig. B – Part. A);
- 3 Once the chain is in position, push the range against the wall;
- 4 The height of the screw hole from floor level must not exceed 31.5" - 800 mm (Fig. C).

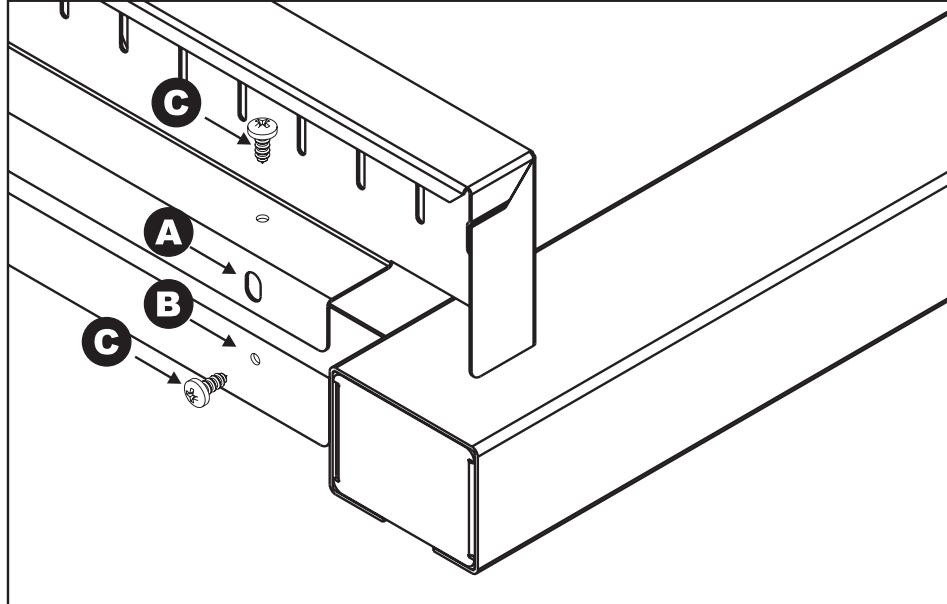






### 4.3 Mounting the rear top upstand

- 1 Position the upstand above the top, so that holes A and B are aligned.
- 2 Secure the upstand to the top by tightening screws C.





## 5. ELECTRICAL CONNECTION

### ELECTRICAL SHOCK HAZARD



**WARNING**

- Disconnect power to the junction box before making connection
- Electrically ground the appliance with green or green-yellow colored wire
- Do not cut or ground to a gas pipe
- Check with a qualified electrician if you are not sure whether the range is grounded
- Do not have a fuse on the neutral or ground circuit

**FAILURE TO FOLLOW THESE INSTRUCTIONS COULD RESULT IN DEATH, FIRE OR ELECTRICAL SHOCK.**



Make sure that the power line rating matches the specifications indicated on the ID plate located on the oven door frame.

**This ID plate must never be removed.**

If codes permit and a separate ground wire is used, it is recommended that a qualified electrician determine that the ground path is adequate.

When a four-wire or three-wire, single-phase, 120/208-volt, 60 Hz or 120/240-volt, 60 Hz, AC-only, electrical supply is available, a 20 ampere maximum circuit protection is required. A time-delay fuse or circuit breaker is recommended. The ID plate is located on the oven door frame.

Wire size and connections must conform to the requirements of the National Electrical Code, ANS/NFPA 70 ELECTRICAL CODE (\*) – last edition or CSA Standard C22.1-94, Canadian Electrical code, Part 1 (\*\*) and CSA C22.2 No. 0-91 or latest edition and all local codes and ordinances for the kilowatt rating of the range. **IMPORTANT:** Observe all governing codes and ordinances.

Copies of the standards listed may be obtained from:

(\*) National Fire Protection Association Batterymarch Park – Quincy, Massachusetts 02269;

(\*\*) CSA International 8501 East Pleasant Valley Road Cleveland, Ohio 44131-5575.

This appliance is manufactured with a yellow-green or green ground wire connected to the appliance chassis. Make sure that the power has been turned off then connect the flexible connector. Connect the appliance to the junction box using a UL listed conduit connector (see Pictures 1 and 2 on pages 13-14). Do not shorten flexible metal conduit.

Picture 1 and Picture 2 on pages 13 - 14, and the instruction provided below present the most common way of connecting the appliance.

Your local codes and ordinances, of course, take precedence over these instructions. Complete electrical connections according to local codes and ordinances.

This range must be connected to a grounded, metallic, permanent wiring system, or a ground connector should be connected to the ground terminal or wire lead on the range.

Connection at the connection block must be copper wire only.



**NOTE:** Use this method only if local codes allow connecting the cabinet ground conductor to the neutral wire of the power supply cord

## WARNING ELECTRICAL SHOCK HAZARD

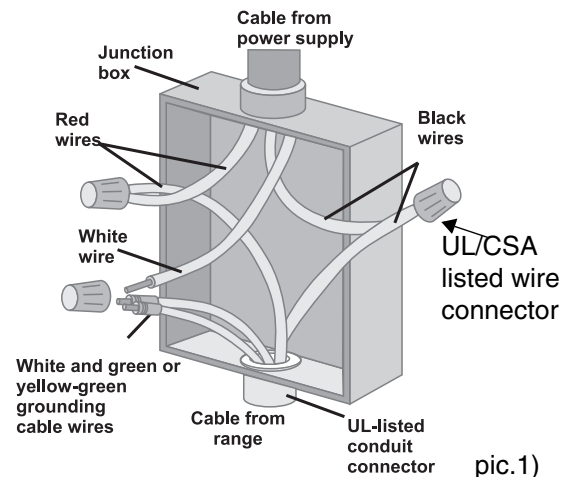


- Turn power supply off before connecting wires.
- Electrically ground range.
- Failure to follow these instructions can result in death, fire, or electrical shock.
- Improper connection of the device-grounding conductor can result in a risk of electrical shock. Check with a qualified electrician or serviceman if you are in doubt as to whether the appliance is properly grounded. Do not modify the power supply cord. If it does not fit in the outlet, have a proper outlet installed by a qualified electrician.

### 5.1 US installation only / 3-wire branch circuit

Refer to **picture 1**, where local codes allow the connection of ground wire from the appliance to the branch circuit neutral wire (white colored wire):

- The ground wire must be attached first;
- If local codes permit, connect the green or yellow-green ground wire from the appliance and the white wire from the appliance to the branch circuit neutral wire (white colored wire).
- Connect the red and black leads from the oven to the junction using UL/CSA listed wire connectors to the corresponding leads in the junction box.



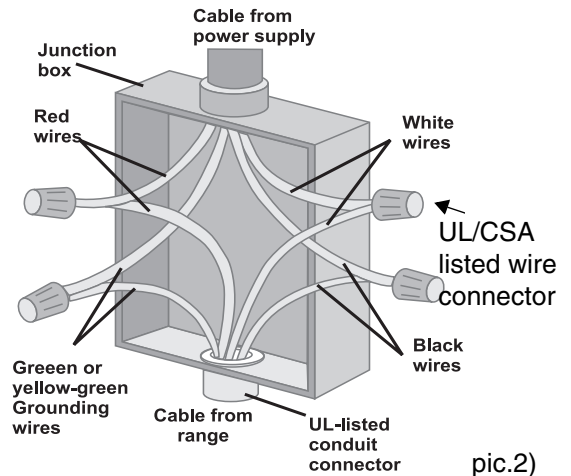
pic.1)



## 5.2 US installation and canadian installation / 4-wire branch circuit

Refer to **picture 2**,

- Disconnect the green or yellow green from the white lead.
- The ground wire must be attached first;
- Connect the green or yellow-green ground wire from the appliance to the ground in the junction box (green colored wire) using UL/CSA listed wire connectors. **Do not connect the grounding wire to the neutral wire in the junction box.**
- Connect the red and black leads from the appliance to the corresponding leads in the junction box using UL/CSA listed wire connectors.
- Connect the white wire from the appliance to the neutral white wire in the junction box using a UL/CSA listed wire connector.



Connect to a 20A fuse or circuit breaker. Connect to copper wire only, or, if connecting to aluminum house wire, use UL-listed or CSA-approved connectors, which are suitable for joining aluminum with copper wires.



**NOTE:** Both power cables coming out of the range, must be connected according to the diagrams shown in pictures 1 and 2



## 6. GAS SUPPLY REQUIREMENTS

### EXPLOSION HAZARD



- Use a new AGA or CSA-approved gas supply line.
- Install a shut-off valve.
- Securely tighten all gas connections.
- If connected to LP, have a qualified technician ensure that the gas pressure does not exceed a 14" water column.
- Examples of qualified technicians include licensed heating personnel, authorized gas company personnel, and authorized service personnel.
- Failure to do so can result in death, explosion, or fire.



### NOTE:

- Observe all governing codes and ordinances.
- The cooktop must be connected to a regular gas supply.

1)

This installation must conform to local codes and ordinances. In the absence of local codes, installations must conform to American National Standards, National Fuel Gas Code ANSI Z223.1 - latest edition\*\* or CAN1 13149.1 or 2\*\*.

2)

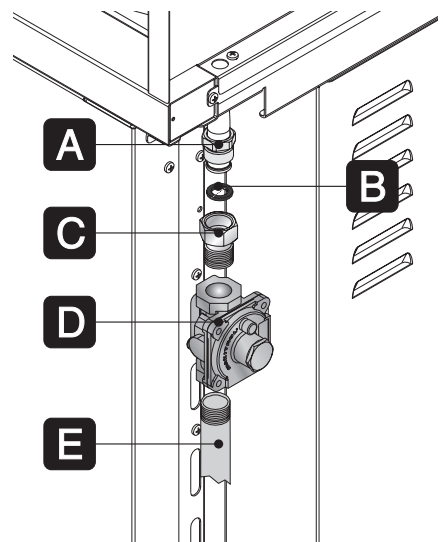
If local codes permit, a flexible metal appliance connector with the new AGA or CSA certified design, 4-5 feet (1.2-1.5 m) long, 1/2" or 3/4" I.D., is recommended for connecting this range to the gas supply line. Do not bend or damage the flexible connector when moving the range. The pressure regulator has 3/8" female pipe threads. You will need to determine the fittings required, depending on the size of your gas supply line, the flexible metal connector and the shut-off valve.

3)

Always use pipe-joint compound made for use with NATURAL GAS and L.P. GAS between pressure regulator **D** and NPT adaptor **C** and between pressure regulator **D** and pipe **E**. If a flexible metal conductor is used, make sure that the tubing is not kinked.

Use only pipes (**E**) conforming to standard regulations in force, inserting gasket **B** (supplied) between fitting **A** adaptor **C**.

Always place a suitable sealing medium (such as Teflon tape) between pressure regulator **D** and adaptor **C** and between pressure regulator **D** and pipe **E**.

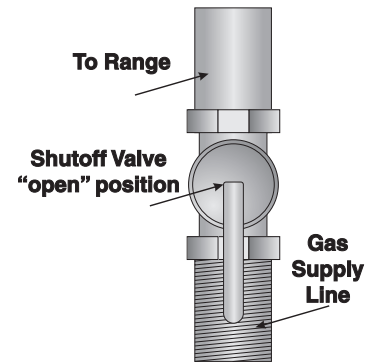


**WARNING:** The tightening torque of adaptor (**C**) must not be greater than 1416.2 ozf-in.



3)

The supply line must be fitted with an approved shut-off valve. This valve should be located in the same room as the range and should be in a location that allows for easy opening and closing. Do not block access to the shut-off valve. The valve is necessary for turning the gas to the appliance on or off.



4)

The regulator must be checked at a minimum water column of at least 1" (2.5 cm) above the set pressure. The inlet pressure to the regulator should be as follows for operation and monitoring of the regulator setting:

- **NATURAL GAS:** manifold pressure 4" W.C. Supply pressure 3.5"-10.5" W.C.
- **LP GAS:** manifold pressure of 11" W.C. Supply pressure 8.0" - 13" W.C.



5)

Line pressure testing: Testing above 112 PSI (3.5 kPa), with water column of 14" (35.6 cm) (gauge). The cooktop and its individual shut-off valve must be disconnected from the gas supply piping system during any pressure testing of that system at test pressures greater than 1/2 psig (3.5 kPa). Testing below 112 PSI (3.5 kPa) with a water column of 14" (35.6 cm) (gauge) or lower. The cooktop must be isolated from the gas supply piping system by closing the respective manual shut-off valve during any pressure testing of the gas supply piping system at test pressures equal to or less than 1/2 psig (3.5 kPa).