

# PRESTIGE<sup>®</sup>

An aerial, high-angle photograph of a stadium seating area. The seats are arranged in a grid pattern, receding into the distance. The lighting is dramatic, with strong highlights and deep shadows, creating a sense of depth and scale. The overall color palette is monochromatic, dominated by greys and blues.

Outdoor Collection

*Welcome to the Prestige® Outdoor Collection, an industry leader in Technology and Culinary Innovation. Prestige® has assembled a team of grilling professionals with over forty years of experience in product design, manufacturing and marketing. This dedicated team has developed a full line of high quality, commercial-grade grilling and outdoor kitchen accessories for your dream outdoor culinary experience.*

*The Prestige® Outdoor Collection has set a new standard for those looking to advance their outdoor space into an oasis of style and performance. With built-in or cart style grills and a full line of accessories including doors, drawers, trash chutes, ice chests and more, the Prestige® Outdoor Collection can be an outdoor cooking solution for the whole family to enjoy!*

# Table of Contents

---

## Grills

34" Grill	3
46" Grill	4

## Outdoor Kitchen Accessories

Built-In Doors & Drawers	5
Combination Units	6
Additional Accessories	7
Built-In Side Burners	8

## Outdoor Kitchen

9-10

Product Dimensions	11-14
--------------------	-------



The 34" GBQ Grill is a compact cooking machine. With a fully welded stainless steel canopy, (3) powerful burners, the option to change modules to include a sear station and a full rotisserie, the 34" Signature Series grill brings power and performance to any built-in or cart grill application.



34" GBQ w/ Cart



## Signature Series

GBQR34N

## 34" GBQ Grill

- 63,500 BTUs of Cooking Power
- (3) 17,000 BTU Main Burners
- Rotisserie burner - 12,500 BTU - (1) per Grill
- Full welded Stainless Steel construction
- Stainless Steel Burners
- Patented Flamethrower Valves
- Easy Change to an Infrared Configuration (Optional)
- Comes Standard with Infrared Rotisserie and Stainless Steel Warming Rack

### Optional Cart Available for 34" GBQ Grill

Cart Model - GBQC34

- Full Stainless Steel double door carts are available for the 34" model; equipped with slide out propane shelf & 4 locking casters.



## Signature Series

### 46" GBQ Grill

GBQR46N

- 80,500 BTUs of Cooking Power
- (4) 17,000 BTU Burners
- Rotisserie burner - 12,500 BTU - (1) per Grill
- Full welded Stainless Steel construction
- Stainless Steel Burners
- Patented Flamethrower Valves
- Easy Change to an Infrared Configuration (Optional)
- Comes Standard with Infrared Rotisserie and Stainless Steel Warming Rack

#### Optional Cart Available for 46" GBQ Grill

Cart Model - GBQC46

- Full Stainless Steel double door carts are available for the 46" models ; equipped with slide out propane shelf & 4 locking casters.



The 46" GBQ Grill is the largest of the Prestige® Outdoor Collection offering. Also equipped with a fully welded stainless steel canopy, (4) powerful burners and the option to change modules to include a sear station, this grill has the power and usable cooking space to appease even the most serious of BBQ lovers.



46" GBQ w/ Cart

# Built-In Doors & Drawers

---

The Prestige® Outdoor Collection offers many options for a custom or standard outdoor kitchen. A vertical door, double doors, and a horizontal door will cover the lower section of your built-in application

It always seems like there is never enough space for utensils, trash, plating, and garnishes. Introducing Prestige® built-in drawer systems, from a horizontal drawer to a double drawer, to the inventive hide-away paper towel drawer, lack of space will be the least of your grilling worries.



Horizontal Door  
RDH1



Double Door  
RDD1



Vertical Door  
RDV1



Double Drawer  
RDR1



Horizontal Drawer  
RDR1S



Towel Drawer  
RDTH1

## Combinations

---



Door / Drawer  
RDC1



Towel Drawer / (2) Drawer  
RTDC1

Not sure whether or not doors or drawers alone will be your best form of storage in your outdoor kitchen? Make use of our door/drawer or paper towel drawer/(2) drawer combo units. These units, when built in to your outdoor kitchen, will allow for storage options that were never before possible on your old portable grill. Enjoy the benefits of extra storage at your next outdoor festivity, or the convenience of easily and safely storing your barbecue tools where you need them most.

# Recommended

---

An economical alternative to powered refrigeration is the Prestige® aluminized ice-chest which can be built-in to the top of your outdoor kitchen for easy access to cold drinks, meats, etc. Each ice chest comes standard with removable garnish trays and an easy-drainage system. Outdoor grilling produces trash, an excess of trash around your cooking surface causes clutter and chaos. Introducing the Prestige® Trash Drawer, simply build this unit into your outdoor kitchen and tuck away your trash for good.



Aluminized Ice Chest  
RIC



Trash Drawer  
RDTD1



## Side Burners

---

Double Side Burner  
RSB2



Single Side Burner  
RSB1

The Prestige® Side Burners are available in single or double configurations. With the Prestige® side burners you are sure to eliminate those cumbersome trips back and forth to the house. Bring the convenience of your indoor kitchen, outdoors with Prestige®.

- 15,000 BTU output per burner. (Single)
- 15,000 BTU output per burner. (Double)
- All stainless steel exterior with sleek corners and seams
- Stainless Steel Burners
- Patented Flamethrower Valves
- Stainless Steel Cover Included
- Full Built In Application

# Outdoor Kitchens

---

The Prestige Outdoor Collection offers a synthesis of style, versatility and performance to those who will accept nothing less. Our outdoor kitchens are specifically designed around our cooking equipment to make your outdoor experience a memorable one.

Whether your tastes include an outdoor kitchen equipped with storage, grilling, preparation space, and refrigeration or simply a grill and side burner, the outdoor kitchen offers a new alternative to standard grilling. With surfaces that include a wide array of granite colors and stucco options, your custom outdoor kitchen is both possible and conceivable.





Capri

The Prestige® Outdoor Kitchens are designed specifically for each user's individual needs. Choose from three unique designs, the Aruba, the Oahu and the Montego or feel free to choose from one of our dozens of custom designs. Either way, the Prestige Outdoor Collection will be a stunning addition to your outdoor space.

## Capri

---

Equipped with:

- 46" GBQ Grill - GBQR46N
- Double Side Burner - RSB2
- Double Drawer - RDR1
- Door/ Drawer Combo - RDC1
- Towel Drawer/ (2) Drawer - RTDC1

## Oahu

---

Equipped with:

- 34" GBQ Grill - GBQR34N
- Single Side Burner - RSB1
- Door/ Drawer Combo - RDC1
- Trash Drawer - RDTD1

## Montego

---

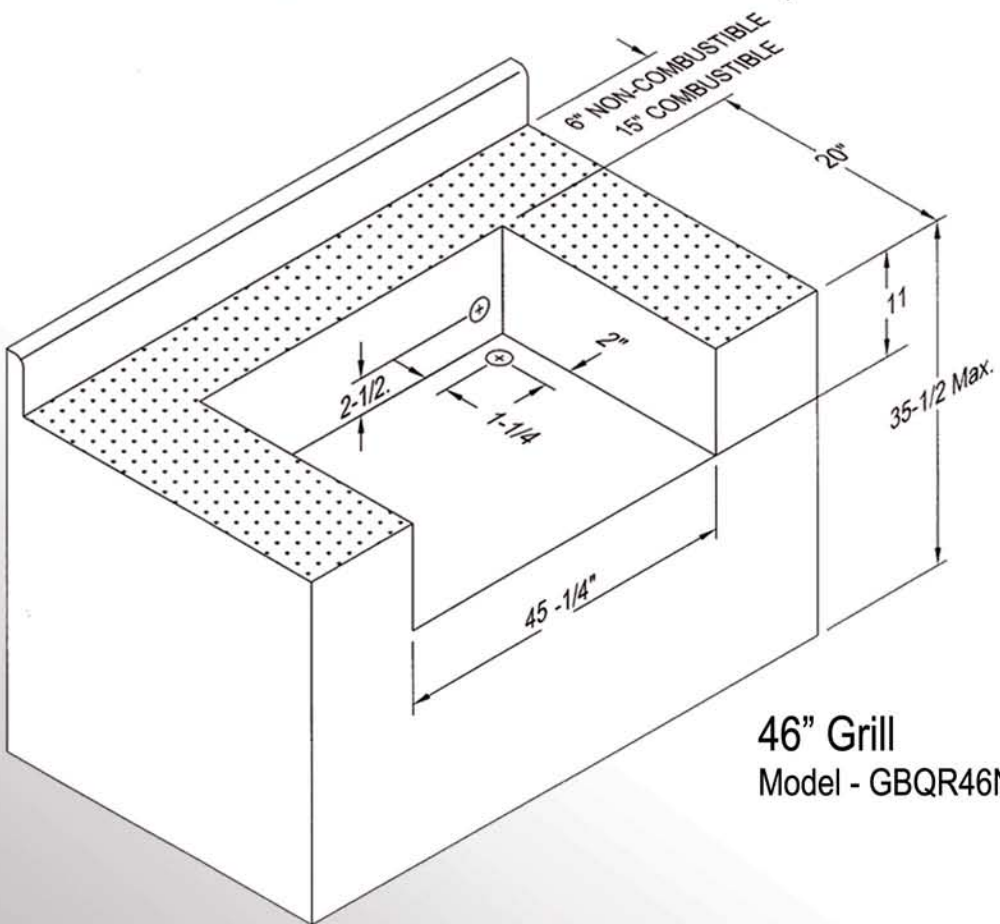
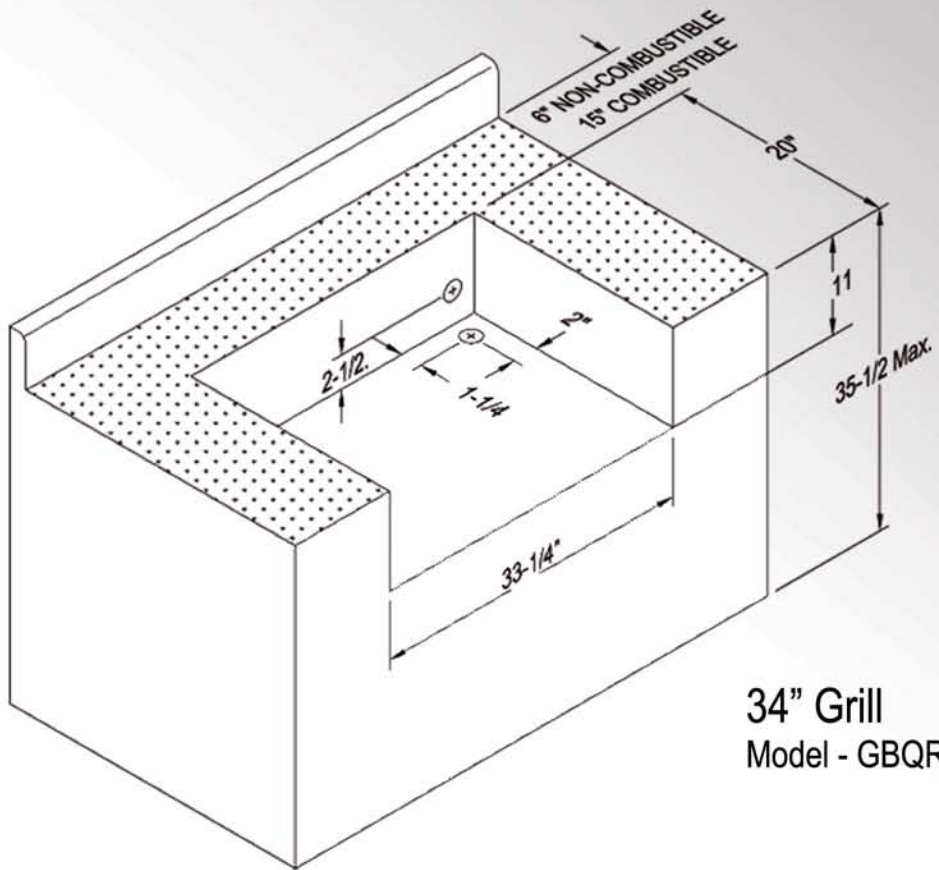
Equipped with:

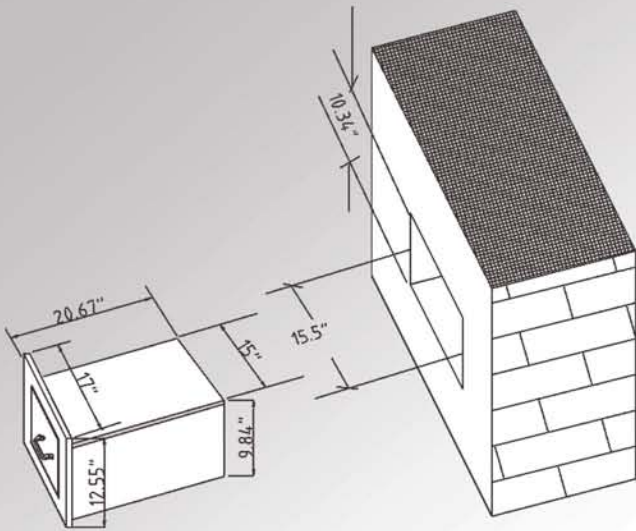
- 34" GBQ Grill - GBQR34N
- Double Door - RDD1

\* All models may be customized.

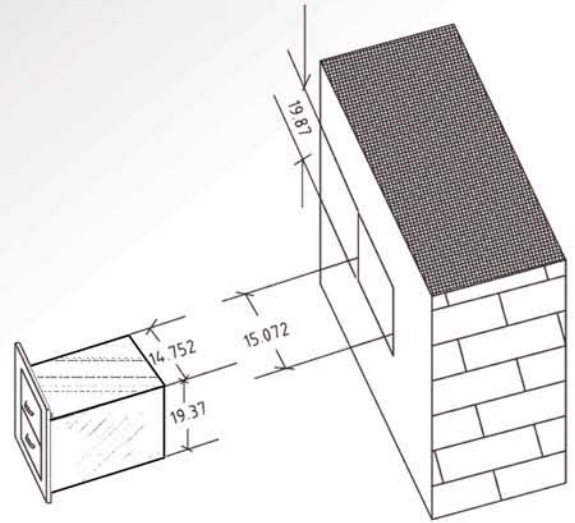


Montego

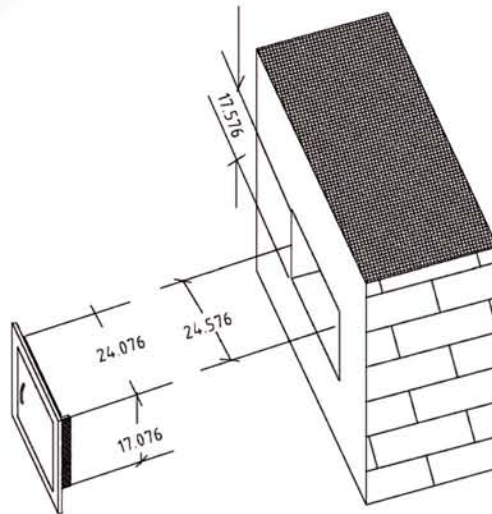




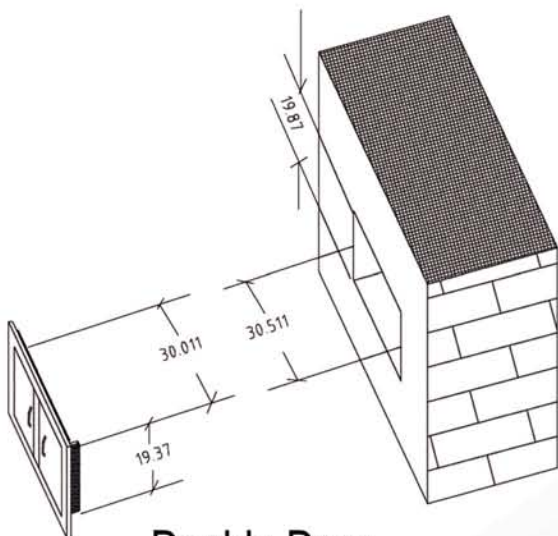
**Single Drawer**  
Model - RDR1S



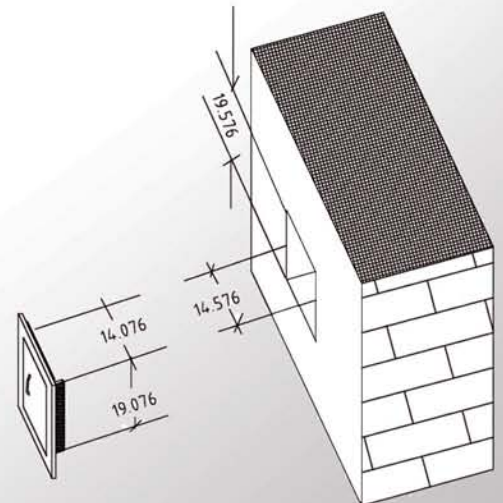
**Double Drawer**  
Model - RDR1



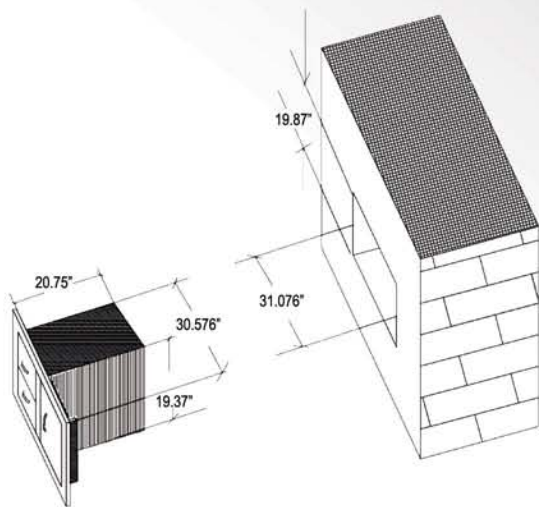
**Horizontal Door**  
Model - RDH1



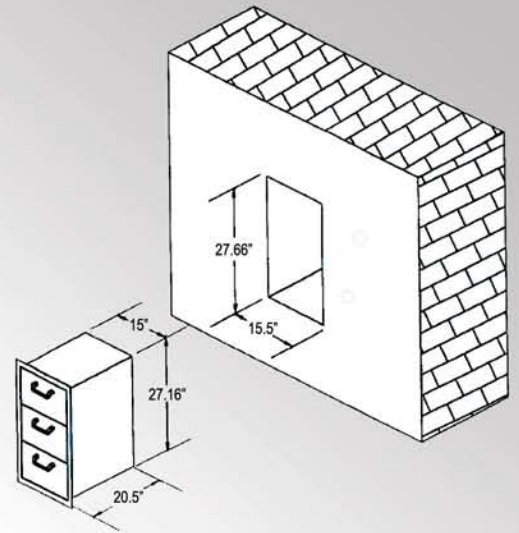
**Double Door**  
Model - RDD1



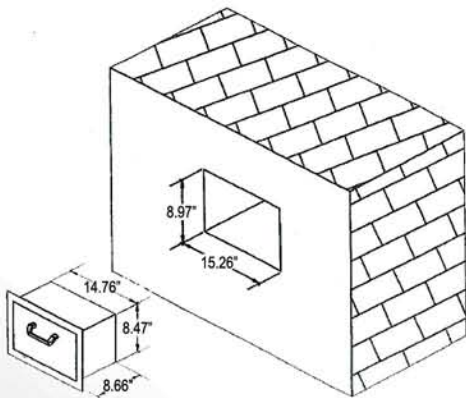
**Vertical Door**  
Model - RDV1



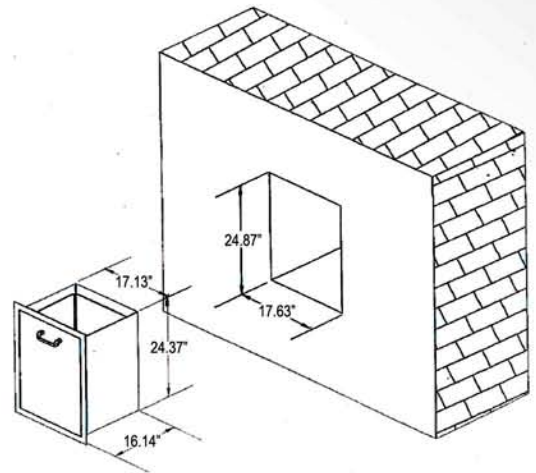
**Door / (2) Drawer Combo**  
Model - RDC1



**Towel Drawer / (2) Drawer Combo**  
Model -RTDC1

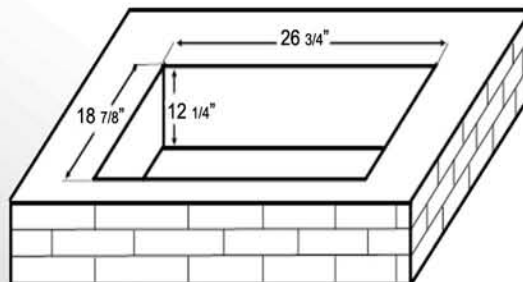


**Towel Holder (Drawer)**  
Model - RDTH1

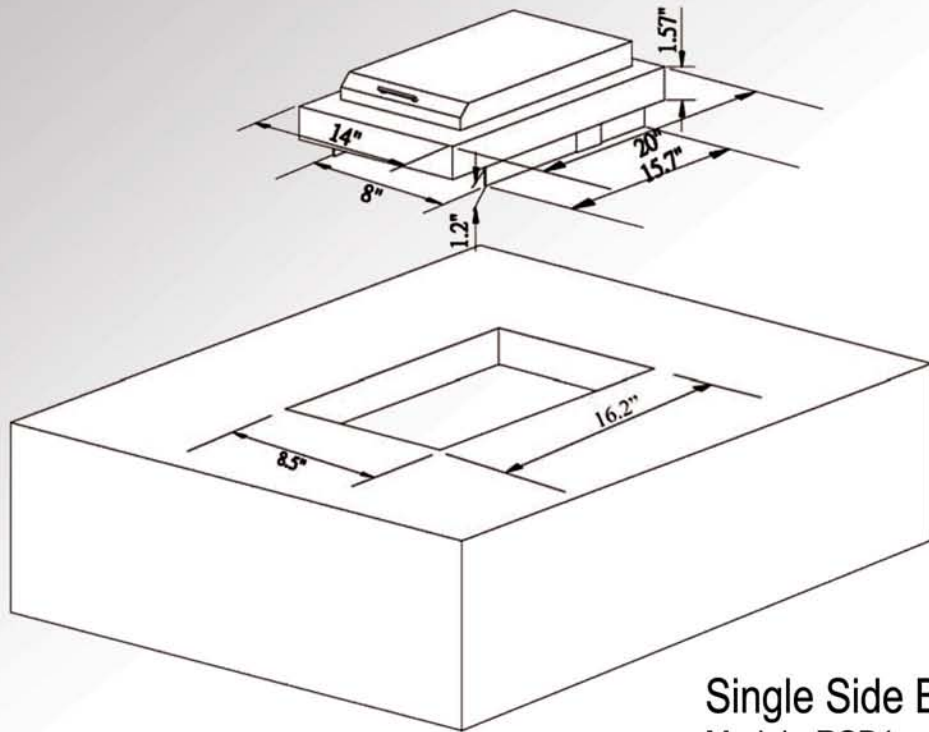


**Trash Drawer**  
Model - RDTD1

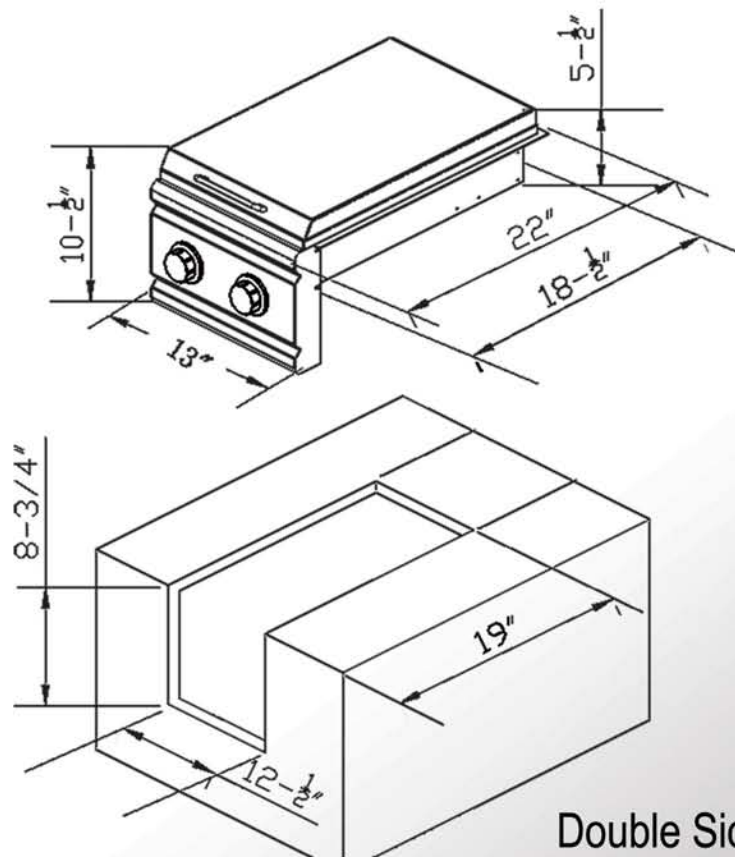
Overall Dimensions  
W 27 7/8"  
D 20 7/8"  
  
Drain is located at rough  
Centerpoint (13 3/8", 9 7/16")  
Drain has 2 1/8" Outside Diameter



**Aluminized Ice Chest**  
Model - RIC



Single Side Burner  
Model - RSB1



Double Side Burner  
Model - RSB2



Prestige Manufacturing  
103 Fairfield Rd.  
Fairfield, NJ 07004

Tel: (800) 358-8886  
[www.Prestige-America.com](http://www.Prestige-America.com)