

PRESTIGE®

Pro-Line Duct-Free Hoods



Nothing compares to the quality of our commercial grade 304 stainless steel construction featuring welded seamless corners.



Additional Information

- Easy Access to all electrical components.
- Replaceable charcoal filters located behind stainless steel baffle filters
- Largest Capture Area in the industry
- Duct Free Hoods are a viable solution when ducting is not practical.
- Additional charcoal kits are available at an additional charge.

Pro-Line Duct-Free Hoods Include:

- Commercial Grade 304 SS Construction
- Welded Seamless Corners
- Dishwasher Safe SS Baffle Filters
- Charcoal Filters that Trap Odors
- Variable Speed Fan Control
- Halogen Lamps with Dimmer Control
- Whisper Quiet 54 Decibel Self-Contained Blower
- Full Width Return Register for Rapid Air Exchange

Available Models

WMPLDF24241 Pro-Line 24"W x 24"D x 18"H 600 CFM

WMPLDF30241 Pro-Line 30"W x 24"D x 18"H 600 CFM

NOTE: ALL PRO-LINE DUCT-FREE HOODS HAVE A VARIABLE SPEED FAN. CUSTOM SIZES CAN BE AVAILABLE UPON REQUEST. 36" AND 48" MODELS CAN BE DUCT FREE AS WELL. A PRO LINE HOOD + A PLDFK36 OR 48 AND EITHER A 600 OR 1200 CFM BLOWER MUST BE PURCHASED TO ACHIEVE A DUCT FREE SYSTEM.

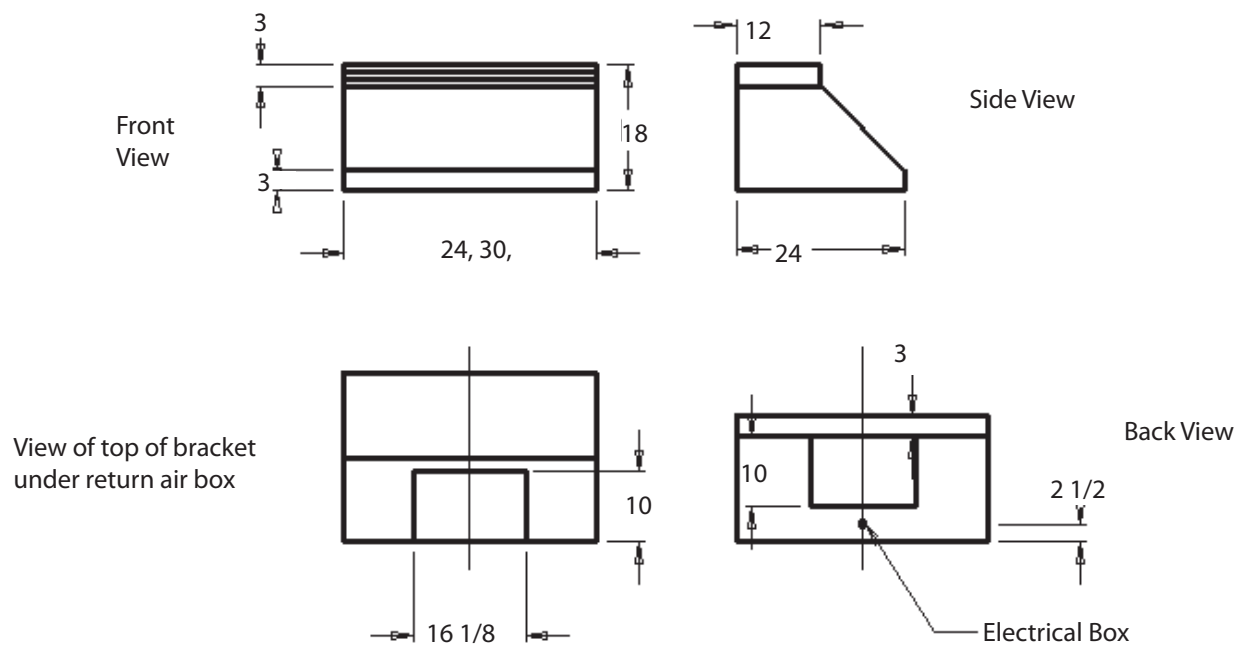
Electrical Requirements

- 15 amps at 120 volts
- Light Bulbs are PAR 16 60 Watt Halogen
- Bulbs are operated by a dimmer switch
- * Blowers is variable speed.

For full technical specifications please log on to www.prestige-america.com



Pro-Line Duct Free Hoods Specifications



Additional Information:

- Hood must be hung 30" over the cooking surface for proper operation.