

INSTALLATION INSTRUCTIONS



Duct Free Model Hoods (WMPLDF)

Intended for Domestic Cooking Only

READ AND SAVE THESE INSTRUCTIONS

Installer: Leave this manual with homeowner
Homeowner: Use and Care Information inside

Prestige America - 103 Fairfield Rd. Fairfield, NJ 07004

- Table of Contents -

Important Safety Instructions.....1 - 2

Handling Precautions.....2

Packing List for WMPLDF Series Hoods.....3

Important Ventilation Information Before You Begin.....4

Cleaning and Maintenance.....4

Planning your Location.....5 -6

Installation Guide & Wiring Diagram.....7

Installing the Optional Wall Hood Duct Cover.....8

Warranty Information.....8



PRESTIGE PRODUCTS DIVISION
Signature Marketing Group LTD.
103 Fairfield Road
Fairfield, NJ 07004
1-800-358-8886

IMPORTANT SAFETY INSTRUCTIONS

PRESTIGE HOODS ARE FOR RESIDENTIAL USE ONLY!

CAUTION: FOR GENERAL VENTILATION USE ONLY. DO NOT USE TO EXHAUST HAZARDOUS OR EXPLOSIVE MATERIALS OR VAPORS

1. Use this unit only in the manner intended by the manufacturer. (If you have questions, contact the manufacturer at 800-358-8886.
2. Before servicing or cleaning the unit, switch power off at service panel and lock the panel to prevent power from being switched on accidentally. When the service panel cannot be locked, securely fasten a prominent warning device, such as a tag, to the service panel.

WARNING - TO REDUCE THE RISK OF A RANGE TOP GREASE FIRE:

- a) Never leave surface units unattended at high settings, boil overs can cause smoking and may ignite. Heat oils slowly on low heat.
- b) Always turn hood ON when cooking.
- c) Clean ventilating filters frequently. DO NOT ALLOW GREASE TO ACCUMULATE ON FAN OR FILTER.
- d) Use proper pan size. Always use cookware appropriate for the size of the surface element.

WARNING - IN THE EVENT OF A RANGE TOP GREASE FIRE, OBSERVE THE FOLLOWING:

- a) Smother flames with a close fitting lid, cooking sheet, or other metal tray, then turn off the burner. BE CAREFUL TO PREVENT BURNS. If the flames do not go out immediately, EVACUATE AND CALL THE FIRE DEPARTMENT.
- b) NEVER PICK UP A FLAMING PAN.
- c) DO NOT USE WATER, including wet dishcloths or towels - a violent steam explosion may result.

d) Use an extinguisher only if:

- 1) You know you have a class ABC extinguisher and you already know how to operate it.
- 2) The fire is small and contained in the area where it started.
- 3) The fire department is being called.
- 4) You can fight the fire with your back to an exit.

HANDLING PRECAUTIONS

1. Remove all rings, watches, belt buckles, jewelry and any clothing with metal buttons or snaps to prevent damage to hood.
2. DO NOT REMOVE HOOD FROM ITS ORIGINAL CARTON UNTIL YOU ARE READY TO INSTALL IT.
3. When you are ready to begin the installation process, remove the hood from its carton and place it on a clean soft blanket.
4. Inspect the hood carefully for any damage or imperfections before you begin to install the hood. If any damage or imperfections exist, recarton the hood and call your dealer IMMEDIATELY, do not install a damaged hood.
5. It is highly recommended that rubber gloves be used to prevent scratches on the hood and to provide you with a firm grip.
6. When removing the hood from the carton locate the filters. The filters are packed separately.

**DO NOT DISCARD THE PACKAGING
WITHOUT FIRST LOCATING FILTERS!**

INSPECT ALL MOLDED PACKAGING FOR PARTS BEFORE DISCARDING. ANY DAMAGE MUST BE REPORTED BEFORE INST ALLING THE HOOD. ONCE THE HOOD HAS BEEN INSTALLED, NO RETURN WILL BE ACCEPTED.

Packaging List for Duct Free Hood Series

WMPLDF24241 & WMPLDF30241

Blower installed in the unit.
Two (2) Stainless Baffle Filters
Four (4) Charcoal Filters
Lid for Electrical Box
Manual with Wiring Diagram

WMPLDF36241 & WMPLDF48241

Blower installed in the unit.
Four (4) Stainless Baffle Filters
Four (4) Charcoal Filters
Lid for Electrical Box
Manual with Wiring Diagram

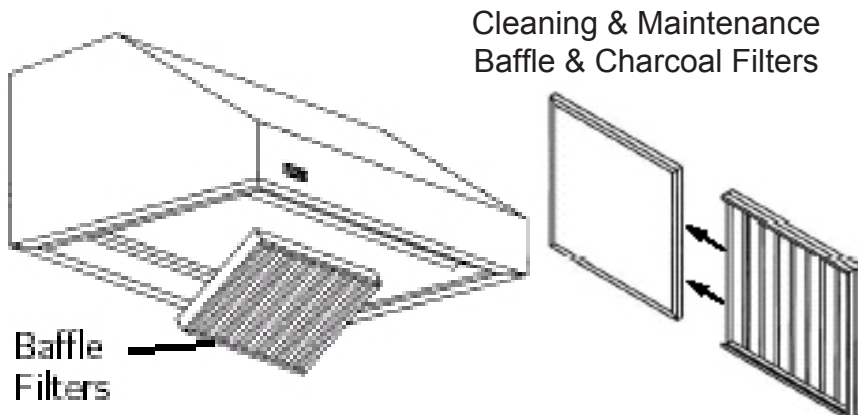
IMPORTANT VENTILATION INFORMATION BEFORE YOU BEGIN

- WMPLDF Models require no ducting and CANNOT be covered for ducting.
- All WMPLDF hoods have a variable speed blower switch. All WMPLDF hoods have a light dimmer switch.

CLEANING & MAINTENANCE

Your hood will not function properly if not cleaned regularly and maintained properly. Clean the filters regularly, (at least twice a month or every 24 hours of use) by soaking them in soapy water and rinsing them in the dishwasher at the normal cycle. When the filters are removed, the accessible interior of the hood can be cleaned from grease, using again only soap and water. Burned out Halogen light bulbs are exchanged in the same way as normal light bulbs. Make sure to replace them with the same type and wattage. (Replacement bulbs are Par 16, 60 watt, Halogen 115 volt.)**

Make it a habit to turn on the hood on low speed even when you are boiling water only. The cleaning of the outside of the hood depends on the material used as a decorative exterior. For stainless steel and powder coated metals. Clean with soap and water only. Do not use abrasive or aggressive chemicals. Check the outside end of the duct at least once a year. Make sure that the back-draft-damper hinges are free of grease and move easily. If you have an insect screen installed in the ductover, make sure that it is not broken or dislocated. Filters are dishwasher safe or you may hand wash with warm soapy water.



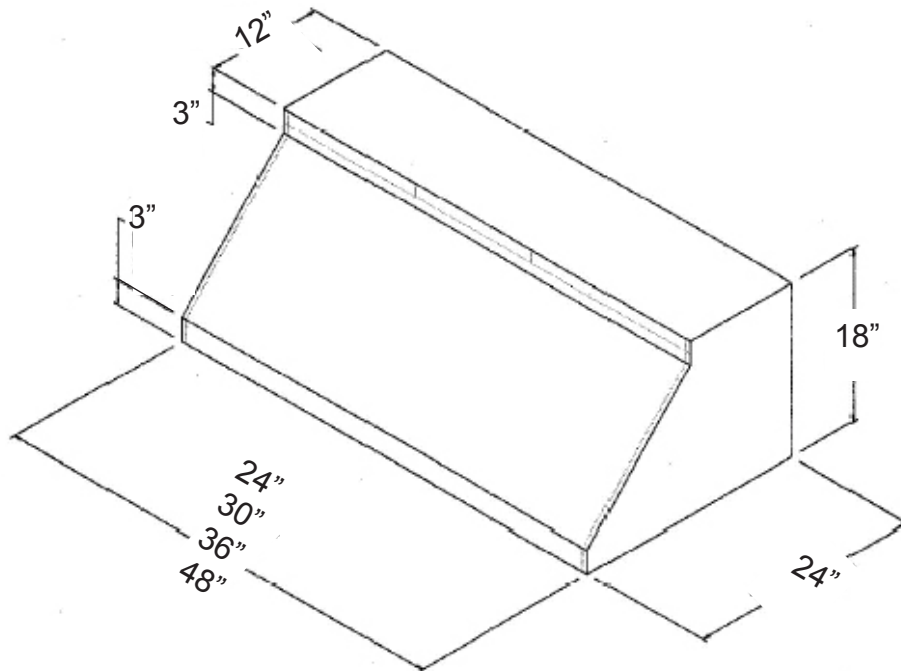
WMPLDF Charcoal Filter Cleaning Instructions

Place filter on a cookie sheet and bake clean in oven at 250 degrees for 10 minutes. Wipe down with soapy cloth and replace in hood. Replacement filters are available through your retailer.

PLANNING YOUR LOCATION

Select the proper height to mount the hood. Take into consideration the stature of the person or persons who will be cooking. A height of 30" to 36" above the cooking surface will suit most users. If mounted at a height greater than 36" above the cooking surface, the hood should be at least 6" wider than the cooking appliance to provide proper capture of heat and grease. (Refer to the range manufacturer's guidelines) Once the proper height is established, draw a level line where the bottom of the hood will rest. If practical, mount a board equal to the width of the hood along the line so you may rest the hood on it while installing. Mark a center line on the wall equal to the entire height of the hood to assist with the proper duct alignment and hood placement. Determine stud location and mark it clearly. If only one stud can be located, toggle bolts or additional fastening must be installed to firmly secure the hood to the wall.

Example: Location for a 36" hood is 6" from the bottom, 9 1/2" from the centerline.
Verify that the ducting is in the correct location for your application.



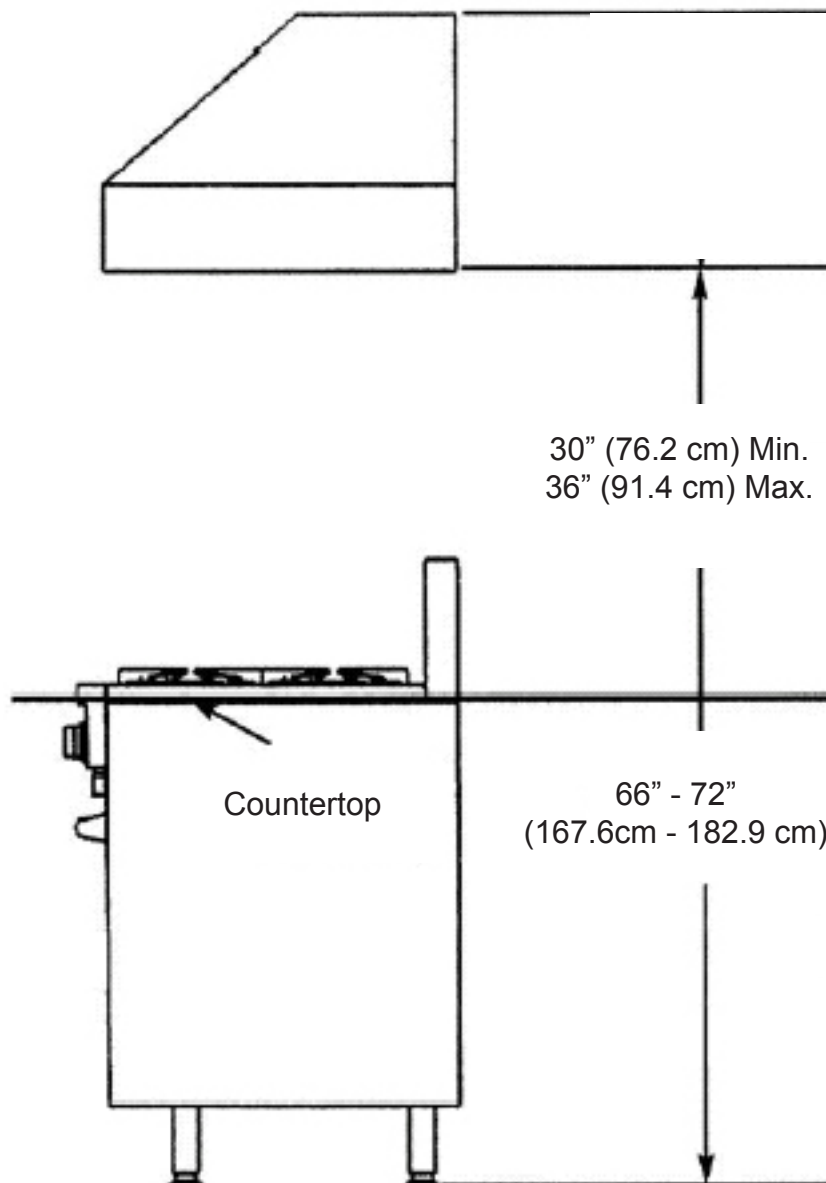
- Inlet location for electrical connection is located in rear center of hood 5" from hood bottom.
- Electrical Requirements: 15 AMPS at 120 VOLTS
- Light Bulbs are PAR16 - 60 WATT Halogen.
- Bulbs are operated by a dimmer switch.
- Blower is variable speed.

PLANNING YOUR LOCATION

HEIGHT OF THE HOOD

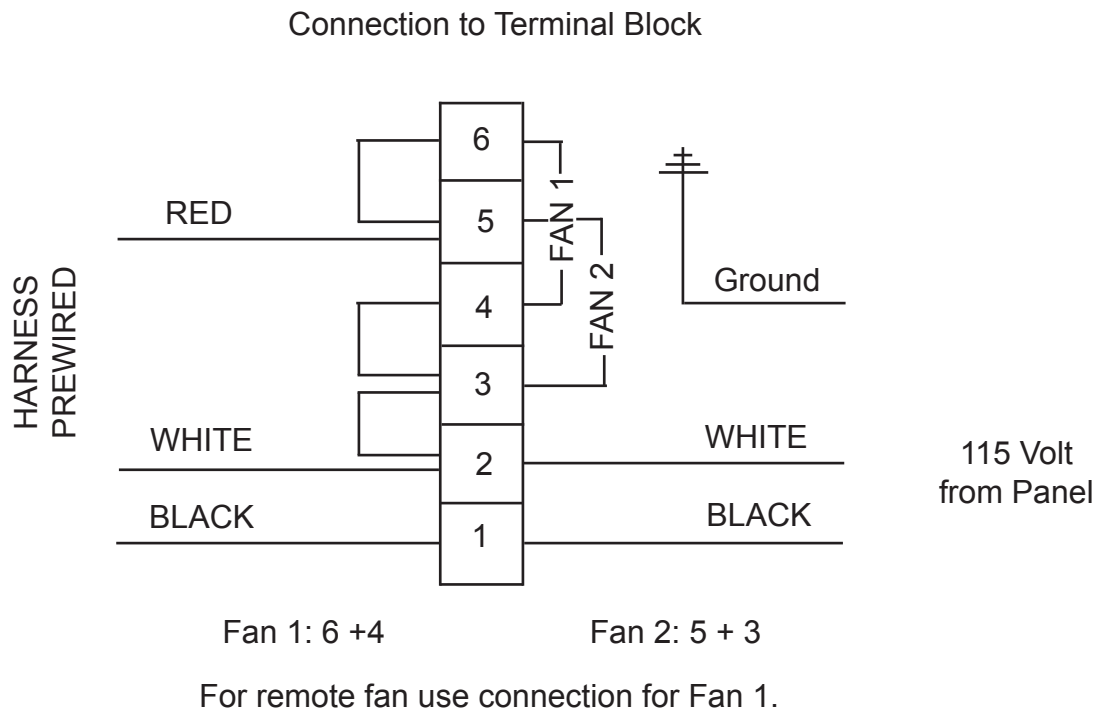
The bottom of the hood should be 30" (76.2 cm) min. to 36" (91.4 cm) max. above the countertop. This would typically result in the bottom of the hood being 66" (167.6 cm) to 72" (175.3 cm) above the floor. The bottom of the hood should never be more than 72" (182.9) above the floor or more than 36" (91.4 cm) above the countertop. These dimensions provide for safe and efficient operation of the hood.

WALL INSTALLATION



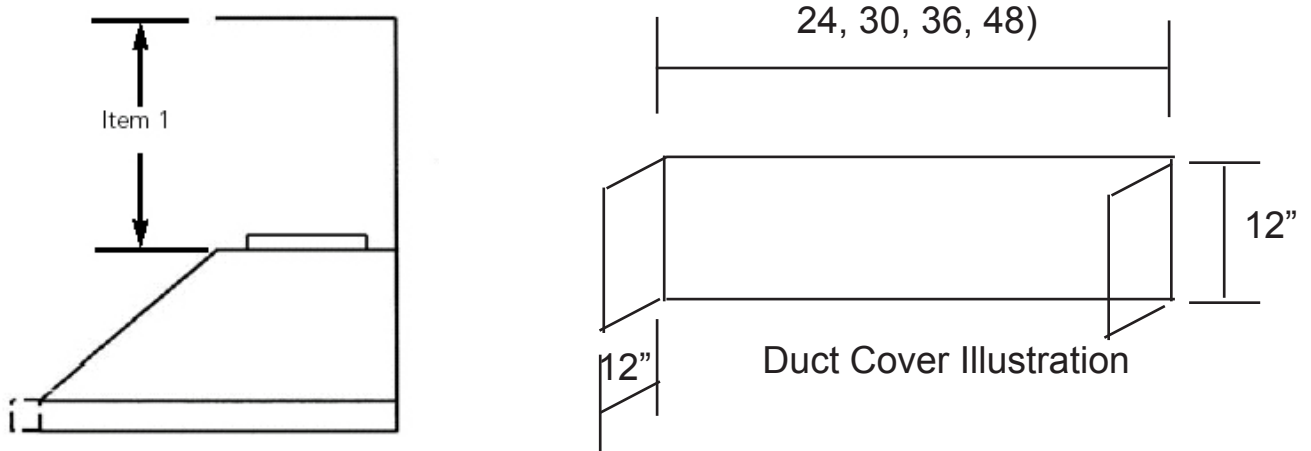
INSTALLATION GUIDE & WIRING DIAGRAM

- 1.) Locate the terminal block inside the electrical supply box.
- 2.) Connect the 115 volt supply wire (white) to terminal block # 2.
- 3.) Connect the 115 volt supply wire (black) to terminal block #1.



INSTALLING THE WALL HOOD DUCT COVER

** Slide the duct cover in place and fasten from inside canopy using sheet metal screws. **



WARRANTY INFORMATION

Prestige Remote Blowers are warranted to be free from defects in materials and workmanship, under normal household use for a period of :

ONE (1) YEAR

Prestige will warranty all parts and related labor to replace them, during the one (1) year warranty period. This applies to the actual parts and normal labor and excludes all other costs, removal and re-installation. Items NOT covered in the warranty include: light bulbs, items fabricated to customer design, consequential damage, removal & reinstallation, abnormal travel outside the service area, including but not limited to: remote area transport, ferries, or excessive mileage. If any of these situations apply, the customer will be responsible for payment in full of said exclusion.

The main motor is warranted for a period of :

FIVE (5) YEARS

Prestige will replace any motor that fails within the five (5) year warranty, free of charge, on product when it is located within the United States. This applies only to the motor itself and excludes all other costs, including labor, removal and re-installation.

This warranty does not apply to damage resulting from commercial use, abuse, accident, natural disasters or electrical surge to the unit.

Prestige will not be responsible for consequential damages.

