

PRESTIGE®

Nothing compares to the quality of our commercial grade 304 stainless steel construction featuring welded seamless corners.



Prestige Vent-A-Shelf



Welcome to the newest innovation in space-saving ventilation technology, the New Prestige Vent-A-Shelf! The Vent-A-Shelf boasts a universal utility high-shelf vent system that not only acts a powerful vent-hood but affords you the use of the shelf above to sit your microwave, Salamander Broiler, spices, cookwares, etc. The Vent-A-Shelf is for anyone who wants to have the power of a commercial style ventilation system but doesn't have the space to have a full range hood. The Vent-A-Shelf can be ducted to the outside or can be made ductless very easily with a duct free kit.



Side View



Appliance Outlet



Variable Speed Switches

Specifications

- Variable Speed 600 and 1200 CFM Direct Vent Blower
- 2x20 Watt Halogen Lights with Dimmer Switch
- Utility Shelf with Appliance Outlet
 - 3 1/4" x 10" Top Duct Outlet
- Optional Ductless Kit Available
- Utility Shelf with Electrical Outlet Location

Available Sizes and Models

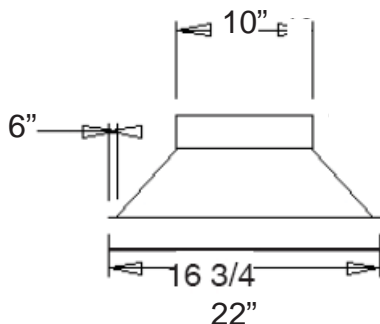
VAS24S - 600 CFM - 24" Vent-A-Shelf - 24" W x 30" H x 17"D

VAS30S - 600 CFM - 30" Vent-A-Shelf - 30"W x 30"H x 17"D

VAS36S - 1200 CFM - 36" x 30"H x 17"D

VAS48S - 1200 CFM - 48"W x 30"H x 17"D

VASDFK - Duct Free Kit for Vent-A-Shelf; Includes charcoal filter and air deflector.

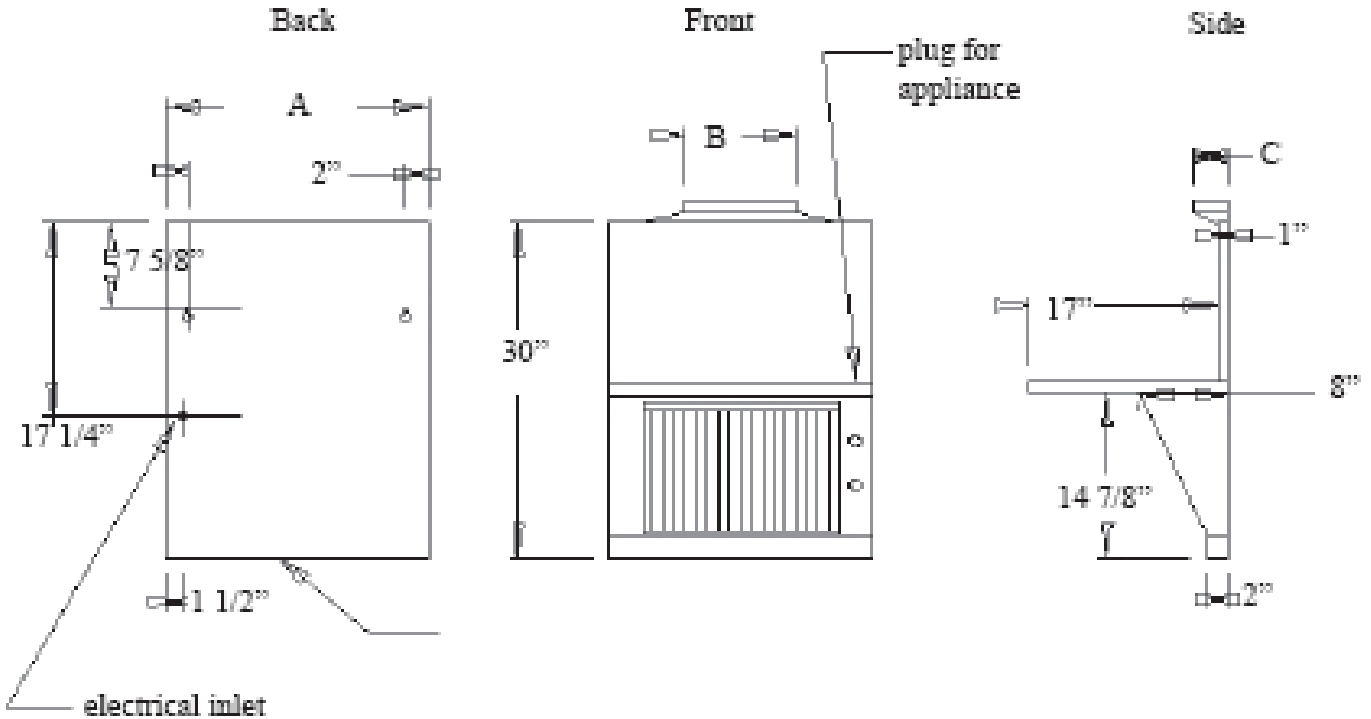


Specifications for Pant Leg Transition Model # VASTRAN

*Transition can be used to transition the 36" and 48" ducted models from two discharges to one for easy venting. The opening will be 10" round for ducting to the outside.



Prestige Vent-A-Shelf Specifications



	24"	30"	36"	48"
A	23 7/8"	29 7/8"	35 7/8"	47 7/8"
B	10"	10"	2 x 10"*	2 x 10"*
C	3 1/4"	3 1/4"	3 1/4"	3 1/4"

Additional Information

*36" and 48" Vent-A-Shelf models will include (2) 3 1/4" x 10" round discharges for ducting to the outside. If one 10" round discharge is needed, one must purchase a transition model # VASTRAN.