

INSTALLATION INSTRUCTIONS



Power Pack Hood Liner

Intended for Domestic Cooking Only

READ AND SAVE THESE INSTRUCTIONS

Installer: Leave this manual with homeowner
Homeowner: Use and Care Information inside

Prestige America - 103 Fairfield Rd. Fairfield, NJ 07004

Table of Contents

Important Safety Instructions.....	1 - 2
Installation Instructions.....	2 - 3
Hood Operating Instructions.....	3
Cleaning Instructions.....	4
Cleaning the Hood Surface.....	4
Rear-Ducting Instructions.....	5
Warranty Information.....	5
Hood Insert Specs (O, S, & UIM Models).....	6 - 8



PRESTIGE PRODUCTS DIVISION
Signature Marketing Group LTD.
103 Fairfield Road
Fairfield, NJ 07004
1-800-358-8886

IMPORTANT SAFETY INSTRUCTIONS

PRESTIGE HOODS ARE FOR RESIDENTIAL USE ONLY!

CAUTION: FOR GENERAL VENTILATION USE ONLY. DO NOT USE TO EXHAUST HAZARDOUS OR EXPLOSIVE MATERIALS OR VAPORS

1. Use this unit only in the manner intended by the manufacturer. (If you have questions, contact the manufacturer at 800-358-8886.
2. Before servicing or cleaning the unit, switch power off at service panel and lock the panel to prevent power from being switched on accidentally. When the service panel cannot be locked, securely fasten a prominent warning device, such as a tag, to the service panel.

WARNING - TO REDUCE THE RISK OF A RANGE TOP GREASE FIRE:

- a) Never leave surface units unattended at high settings, boil overs can cause smoking and may ignite. Heat oils slowly on low heat.
- b) Always turn hood ON when cooking.
- c) Clean ventilating filters frequently. DO NOT ALLOW GREASE TO ACCUMULATE ON FAN OR FILTER.
- d) Use proper pan size. Always use cookware appropriate for the size of the surface element.

WARNING - IN THE EVENT OF A RANGE TOP GREASE FIRE, OBSERVE THE FOLLOWING:

- a) Smother flames with a close fitting lid, cooking sheet, or other metal tray, then turn off the burner. BE CAREFUL TO PREVENT BURNS. If the flames do not go out immediately, EVACUATE AND CALL THE FIRE DEPARTMENT.
- b) NEVER PICK UP A FLAMING PAN.
- c) DO NOT USE WATER, including wet dishcloths or towels - a violent steam explosion may result.

d) Use an extinguisher only if:

- 1) You know you have a class ABC extinguisher and you already know how to operate it.
- 2) The fire is small and contained in the area where it started.
- 3) The fire department is being called.
- 4) You can fight the fire with your back to an exit.

INSTALLATION INSTRUCTIONS

NOTE: THE DESIRED INSTALLATION HEIGHT OF THE HOOD IS AT THE DISCRETION OF THE USER, HOWEVER, A HEIGHT OF 30" TO 36" ABOVE THE COOKING SURFACE IS RECOMMENDED. TWO PERSONS ARE REQUIRED TO INSTALL HOOD.

BEFORE INSTALLING YOUR INSERT, BE SURE TO READ THE FOLLOWING!

*Either an interior, in-line, or remote blower may be used with Prestige hood liners and power packs. Other blowers CANNOT be substituted. Select the series best suited for your application. Units labeled "LINERS" are for use with in-line blowers or remote blowers. Units labeled "POWER PACKS", come with pre-installed 600 (S1) or 1200 (S2) CFM blowers. Before installing ANY unit, inspect and test blowers to ensure there is no packing or obstructions remaining in the unit and that the blower(s) spin freely.

PARTS SOLD SEPARATELY

- In-line blowers IL600, IL1000, IL1200, and IL1600
- Remote blowers RB1000, RB1200, RB1600, RB2000
- Transitions TR6x15/8RD, TR6x15/10RD (for use with S2 blower system), TRC8/6 transitions collar (for use with S1 blower system.)
- Wall Caps WC6HD, WC8HD, WC10HD. The WC6x15/HD is for use with the S2 blower system when rear ducting.
- Roof Caps RC6 sn RC10 will accommodate 6" to 10" round duct sizes.
- Backdraft damper BD8 or BD10 (in-line 8" or 10" section duct with backdraft damper installed).
- Wall switch kit UIBWSK controls both lights and fan(s) in lieu of unit switches.

NOTE: DURING INSTALLATION, PROTECT COUNTERTOP AND/OR COOKING APPLIANCES.

The custom hood frame must be sized to the shape and total weight of the insert assembly. (See hood liner/insert dimension guide.) Run power cable to the installation location. Stub out a 4 foot length of electrical cable behind the custom hood. DETERMINE WHETHER OR NOT THE USE OF A WALL SWITCH IS NEEDED. A 3" to 4" recess should be provided to allow for a proper capture area. If the cooking product contains a grill (BBQ), a minimum of a 6" capture area should be provided. The custom hood depth should be at 19" minimum for common gas or electric cooktops. A 22" depth of hood is recommended for upscale or pro-style gas or electric cooktops. A 24" depth is to be provided for use with pro-style ranges, whether dual-fuel or all-gas. If the cooking appliance contains a grill (BBQ) or a high output wok or griddle, the use of an in-line blower or remote blower is highly recommended.

NOW THAT YOU HAVE READ THESE PRECAUTIONS, YOU MAY CONTINUE TO THE INSTALLATION INSTRUCTIONS.

- 1.) Choose an installation height comfortable for the user. IMPORTANT: Most building codes require a 30" clearance from the top of a surface burner to the underside of any combustible material.
- 2.) Choose the appropriate cut-out dimension from enclosed planning guide. Mark the underside of the wood hood, alcove, or hearth making sure you leave adequate clearance for the stainless steel trim overlay and body of hood liner. Cut along your marked line.
- 3.) Caution: SWITCH OFF POWER AT SERVICE PANEL. Insert 115 volt line through the 7/8" hole that is punched through the back of the unit and attach with the appropriate ROMEX or BX connector.
- 4.) Attach the metal duct to the unit either directly to the collar provided or by using a duct transition. See chart B. NOTE: USE RIGID METAL DUCTWORK ONLY. DO NOT USE FLEXIBLE METAL OR PLASTIC DUCT. FLOW RESTRICTIONS AND GREASE BUILD UP WILL OCCUR.
- 5.) Lift hood liner into position. Fasten to underside of wood hood, alcove, or hearth with appropriate fastener. Make certain the unit is fastened securely to prevent vibration.
- 6.) Complete the electrical connection in the junction box inside the hood. If equipped with internal fan check to be certain that the fan blade turns freely by hand and there are no packing materials or other obstructions in the motor housing. Also, make sure light bulbs are tightly screwed into sockets.
- 7.) Install stainless steel filters by sliding filters into the top channel then down into lower channel.
- 8.) Turn on power at service panel.

HOOD OPERATING INSTRUCTIONS

The blower should be turned on for about 5 minutes BEFORE cooking in order to establish air currents upward through the hood. Use the low speeds for normal use and the higher speeds for strong odors or fumes. Minimize drafts across the range or cooktop, they will reduce the effectiveness of the hood.

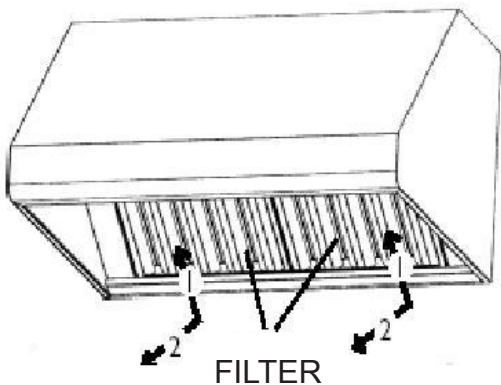
CLEANING INSTRUCTIONS

Be sure lights are cool before cleaning your hood. Filters should be washed in the dishwasher or by hand at least once every 24 hours of use or 2 weeks, whichever is shorter.

- 1) Turn the fan and lights off.
- 2) Push the filters towards the top and extract downward.
- 3) When placing filters into a dishwasher be sure that the filters are angled.
- 4) Drain water and let each filter dry before replacing.

TO CLEAN HOOD SURFACE

Do not use abrasive products. For general care, wipe the outside of the stainless steel with sudsy water or household cleaners. Rinse well and dry with clean soft cloth to avoid water marks. Wipe and dry brushed stainless steel in the same direction as the grain. To remove fingerprints and give added shine, use a commercial grade stainless steel cleaner.



Cleaning & Maintenance

Cleaning Baffle Filter

*All Prestige stainless baffle filters are dishwasher safe. You may also hand wash the filters in warm soapy water.

REAR DUCTING INSTRUCTIONS

In some cases you will not be able to duct the unit to the top.
In that case, rear-ducting is necessary.

- 1) Lay insert on its face on top of a soft, non-abrasive blanket.
- 2) Remove the screws from the L-Bracket on the blower assembly. ***DO NOT LOSE SCREWS!***
- 3) Disconnect motor wires from terminal block.
- 4) Flip the unit so the exit hole is facing the back of the unit.
- 5) Re-apply the screws to the L-Bracket on the blower assembly.
- 6) Be sure that your unit is secure and in place and available for ducting through the back.

* Models labeled UIM CANNOT be rear ducted.

WARRANTY INFORMATION

Prestige Remote Blowers are warranted to be free from defects in materials and workmanship, under normal household use for a period of :

ONE (1) YEAR

Prestige will warranty all parts and related labor to replace them, during the one (1) year warranty period. This applies to the actual parts and normal labor and excludes all other costs, removal and re-installation. Items NOT covered in the warranty include: light bulbs, items fabricated to customer design, consequential damage removal & reinstallation, abnormal travel outside the service area, including but not limited to: remote area transport, ferries, or excessive mileage. If any of these situations apply, the customer will be responsible for payment in full of said exclusion.

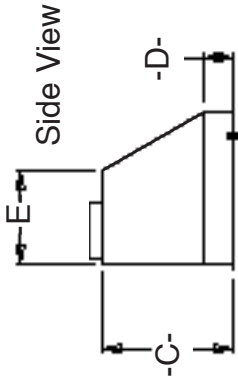
The main motor is warranted for a period of :

FIVE (5) YEARS

Prestige will replace any motor that fails within the five (5) year warranty, free of charge, on product when it is located within the United States. This applies only to the motor itself and excludes all other costs, including labor, removal and re-installation.

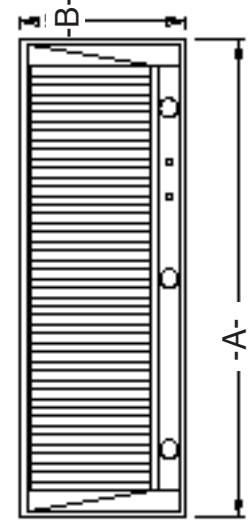
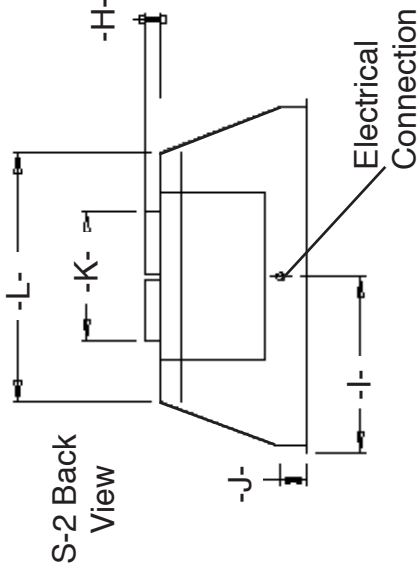
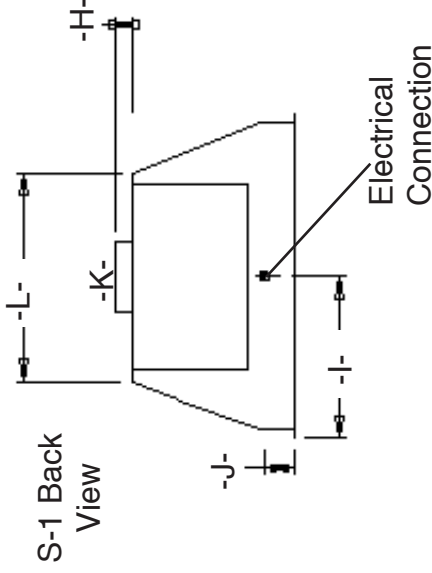
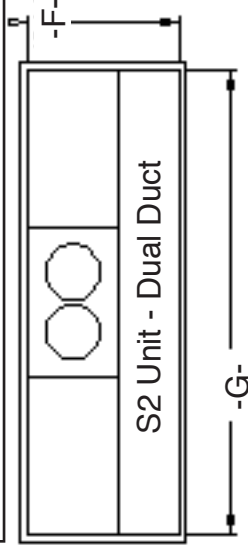
This warranty does not apply to damage resulting from commercial use, abuse, accident, natural disasters or electrical surge to the unit. Prestige will not be responsible for consequential damages.

Hood Insert Specifications Guide (S Models)



Additional Information:

- Electrical connection is located in the center of the back of the unit 4" from the base.
- Single Duct exit is 6" Round.
- Ducting Recommendation for S1 Models: For Duct Run 10' or less 6" Round Duct. For Duct Run over 10' use 8" Round Duct. Transition included. For S2 Models: For Duct Run 10' or less 8" Round Duct. Over 10' use 10" Round Duct.



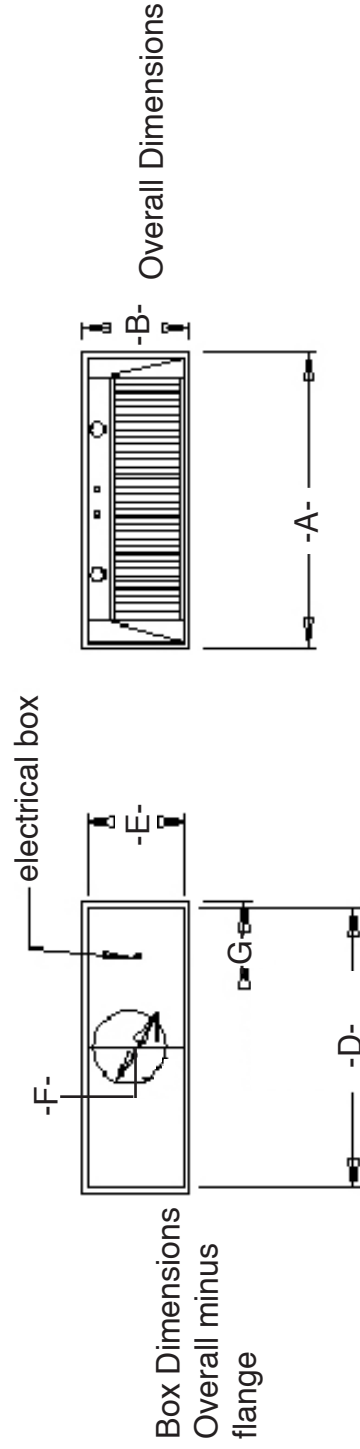
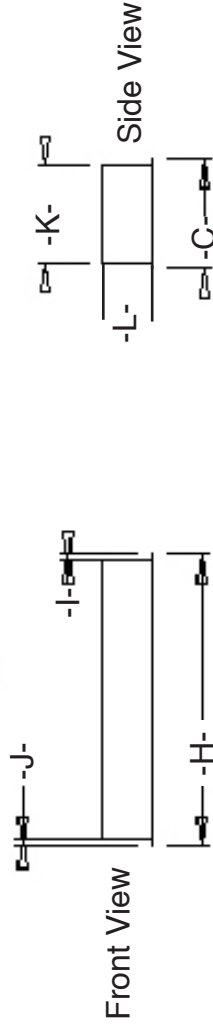
Box Dimensions Overall minus flange

Model	A	B	C	D	E	F	G	H	I	J	K	L	Cutout Dimension	Transition Size
22-S1	22	12	11	3	8 1/2	10 1/2	20 1/2	1 1/2	5	2 1/2	6	12 1/2	20 5/8 x 10 5/8	INCLUDED**
28-S1	28	15	14	3	10	13 1/2	25 1/4	1 1/2	14	2 1/2	6	18	25 3/4 x 13 5/8	INCLUDED**
34-S1	34	15	14	3	10	13 1/2	31 1/4	1 1/2	17	2 1/2	6	24	31 3/4 x 13 5/8	INCLUDED**
30-S2	30	15	14	3	10	13 1/2	32 1/2	1 1/2	17	2 1/2	12 1/2	24	28 5/8 x 13 5/8	TR6x15/8 or /10
34-S2	34	15	14	3	10	13 1/2	31 1/4	1 1/2	17	2 1/2	12 1/2	24	37 3/4 x 13 5/8	TR6x15/8 or /10
40-S2	40	15	14	3	10	13 1/2	37 1/4	1 1/2	20	2 1/2	12 1/2	30	37 3/4 x 13 5/8	TR6x15/8 or /10
46-S2	46	18	14	3	10	16 1/2	44 3/4	1 1/2	23	2 1/2	12 1/2	20	45 1/4 x 16 5/8	TR6x15/8 or /10
52-S2	52	18	14	3	10	16 1/2	55 3/4	1 1/2	26	2 1/2	12 1/2	26	57 3/4 x 16 5/8	TR6x15/8 or /10
58-S2	58	18	14	3	10	16 1/2	56 3/4	1 1/2	29	2 1/2	12 1/2	32	57 1/4 x 16 5/8	TR6x15/8 or /10

Box Dimensions Overall minus flange

Hood Insert Specifications Guide (-0 Models)

Additional Information
 - Starter Collar Included in Unit.

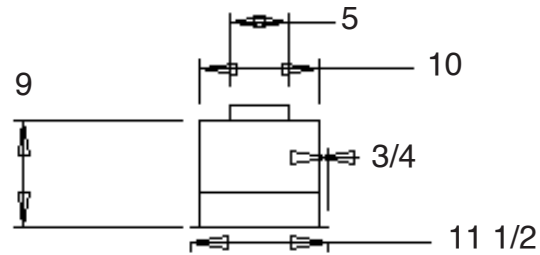


Model	A	B	C	D	E	F	G	H	I	J	K	L	Cutout Dimension	Transition Size
28-0	28	15	15	25 1/4	13 1/2	10	8	28	3/4	3/4	13 1/2	7	25 3/4 x 13 5/8	10" Round Starter Collar
34-0	34	15	15	31 1/4	13 1/2	10	8	28	3/4	3/4	13 1/2	7	31 3/4 x 13 5/8	10" Round Starter Collar
40-0	40	15	15	37 1/4	13 1/2	10	8	28	3/4	3/4	13 1/2	7	37 3/4 x 13 5/8	10" Round Starter Collar
46-0	46	18	18	44 3/4	16 1/2	10	13	N/A	N/A	N/A	16 1/2	7	45 1/4 x 16 5/8	10" Round Starter Collar
52-0	52	18	18	50 3/4	16 1/2	10	13	N/A	N/A	N/A	16 1/2	7	51 1/4 x 16 5/8	10" Round Starter Collar
58-0	58	18	18	56 3/4	16 1/2	10	13	N/A	N/A	N/A	16 1/2	7	57 1/4 x 16 5/8	10" Round Starter Collar

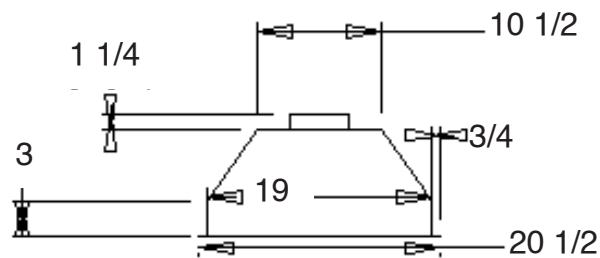
Hood Insert Specifications Guide (UIM Models)

UIM Models are shown individually.

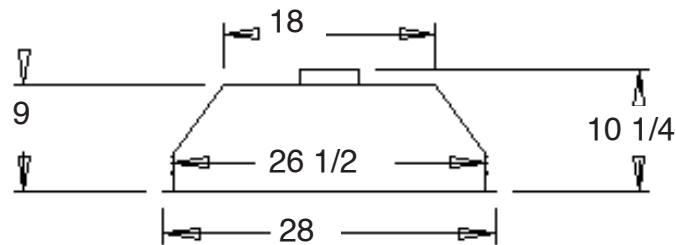
Side View
All UIM
Models



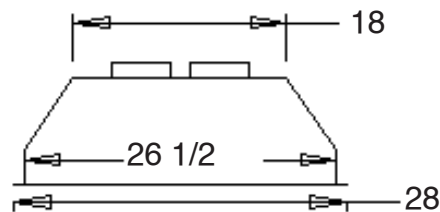
UIM 20 1/2 S1
Front View



UIM 28 S1
Front View



UIM 28 S2
Front View



Model	Cutout Dimension	Transition Size
20-S1	19"W x 10"D	6" Round*TRC8/6
28-S1	26 1/2"W x 10"D	6" Round*TRC8/6
28-S2	28"W x 11 1/2"D x 10 1/4"H	TR6x15/8 or TR6x15/10