

# PRESTIGE®

## Prestige High Capacity Inserts

All Prestige venting systems feature infinite speed blower control with whisper-quiet performance.



### Prestige Ventilation Inserts Include:

- Commercial Grade 304 SS Construction
- Dishwasher Safe SS Baffle Filters
- Variable Speed Fan Control
- Halogen Lamps with Dimmer Control
- Large Capture Area
- Quiet Performance
- For use with custom wood hoods, mantles, arches, alcoves, and stucco formed hoods.



#### Internal Blowers

Prestige offers several blower options for your hood to properly fit the custom application unique to your home. Quiet, powerful, and efficient, the Internal Blowers range from 600 CFM to 1200 CFM.

#### High Capacity Inserts without Blowers

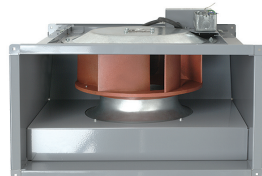
UIBTF340WC15 - 34"W x 22 1/2"D x 14"H

UIBTF400WC15 - 40"W x 22 1/2"D x 14"H

UIBTF460WC15 - 46"W x 22 1/2"D x 14"H

UIBTF580WC15 - 58"W x 22 1/2"D x 14"H

\*Above TF models w/light switch



#### In-Line Blower

In-Line models offer a viable solution when a remote blower system is desired but impractical for aesthetic reasons. 600, 1000, 1200, and 1600 CFM Available.

#### Island Hood Inserts without Blowers

CMUIBTF340WC15 - 34"W x 22 1/2D x 14"H

CMUIBTF400WC15 - 40"W x 22 1/2D x 14"H

CMUIBTF460WC15 - 46"W x 22 1/2D x 14"H

CMUIBTF580WC15 - 58"W x 22 1/2D x 14"H

\*Above CM models w/ light switch



#### Remote Blower

Can be placed on a pitched roof or outside wall. 1000, 1200, 1600, 2000, and 2500 CFM Available.



#### Remote Flat Roof Blower

Serves the same purpose as a remote blower, but constructed differently for proper water drainage. 1000 & 1600CFM Available.

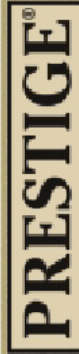


#### Wall Switch Kit

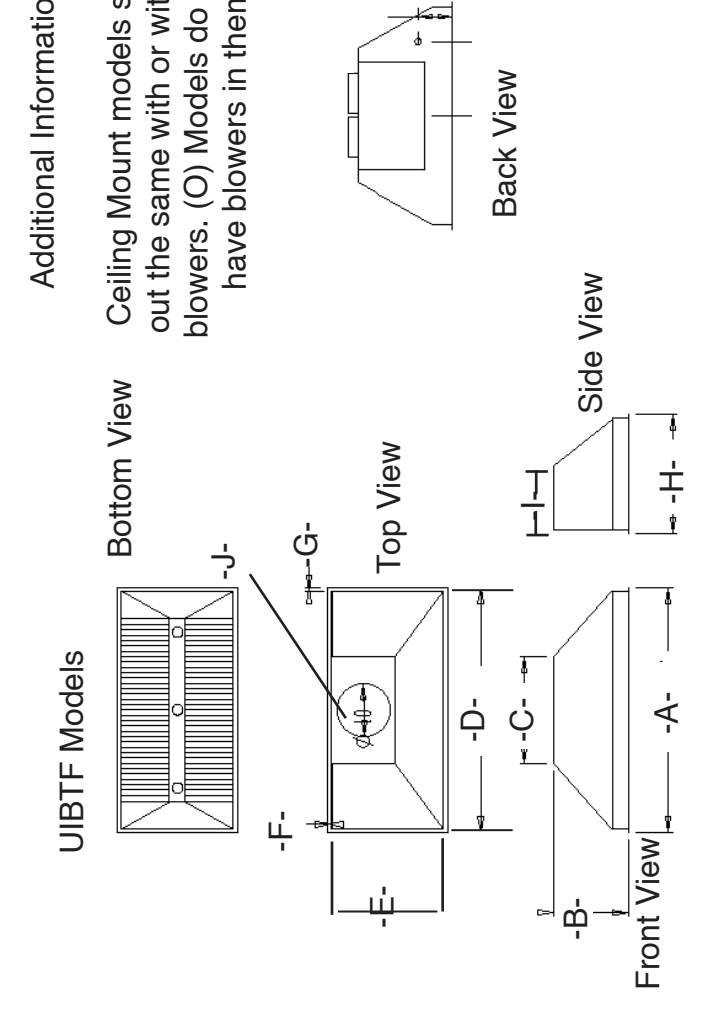
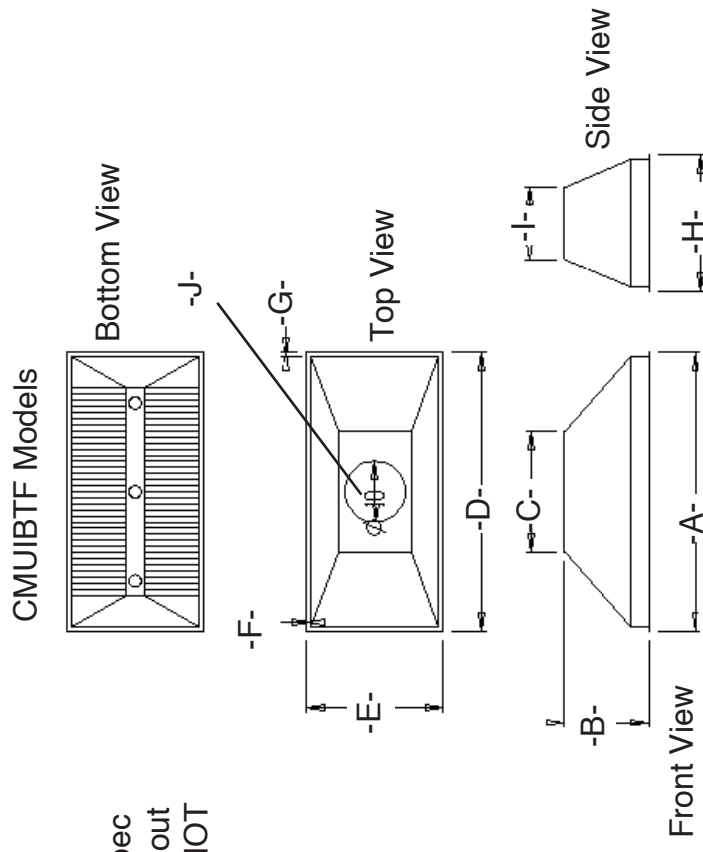
Provides Remote Switching option allowing a more comfortable reach when adjusting fan speed and light intensity

Electrical Requirements - 600 CFM & 1200 CFM - 15 Amps at 120 volts

All Inserts can be made Duct Free with a DFK - Duct Free Kit



# Hood Insert Specifications Guide for High Capacity Inserts



**Additional Information**

Ceiling Mount models spec out the same with or without blowers. (O) Models do NOT have blowers in them.

Model	A	B	C	D	F	F	G	H	I	J	Cutout Dimension	Transition Size
UIBTF340	34	14	20	1/2	21	3/4	3/4	22 1/2	12	10" RD	32 5/8 X 21 1/8	10" Round Starter Collar Included
UIBTF400	40	14	20	3/2	21	3/4	3/4	22 1/2	12	10" RD	38 5/8 x 21 1/8	10" Round Starter Collar Included
UIBTF460	46	14	32	1/2	21	3/4	3/4	22 1/2	12	10" RD	44 5/8 x 21 1/8	10" Round Starter Collar Included
UIBTF580	58	14	44	3/8	21	3/4	3/4	22 1/2	12	10" RD	56 5/8 x 21 1/8	10" Round Starter Collar Included
CMUIBTF340	34	14	20	1/2	21	3/4	3/4	22 1/2	12	10" RD	32 5/8 x 21 1/8	10" Round Starter Collar Included
CMUIBTF400	40	14	20	4/4	21	3/4	3/4	22 1/2	12	10" RD	38 5/8 x 21 1/8	10" Round Starter Collar Included
CMUIBTF460	46	14	32	1/2	21	3/4	3/4	22 1/2	12	10" RD	44 5/8 x 21 1/8	10" Round Starter Collar Included
CMUIBTF580	58	14	44	3/8	21	3/4	3/4	22 1/2	12	10" RD	56 5/8 x 21 1/8	10" Round Starter Collar Included