

SCOTSMAN

LUXURY HOME ENTERTAINING PRODUCTS

CRYSTAL CLEAR
GOURMET CUBES



DCE33 / RFE33 / SCV32



DCE33

DCE33 – Luxury Consumer Ice Machine

- Gourmet Ice Cubes created by water being continually circulated by a pump that gently sprays water into inverted ice cube molds. Only the water is frozen, with the minerals and impurities flushed down the drain. The result is crystal clear, odorless, taste-free gourmet ice cubes.
- 15" wide and can be easily built-in into any decor.
- Available in Contemporary White, Black or Stainless Steel finishes.
- Accepts Custom Wood Panels to match your decor on White and Black units only. Stainless Steel units do not accept custom panels.



RFE33

RFE33 – Companion Refrigerator

- Ideal companion featuring deep door shelves for quart-sized soda bottles or tall wine bottles, push button defrost, adjustable cold control, freezer compartment and removable shelves.
- 15" wide and can be easily built-in into any decor.
- Available in Contemporary White, Black or Stainless Steel finishes.
- Accepts Custom Wood Panels to match your decor on White and Black units only. Stainless Steel units do not accept custom panels.



SCV32

SCV32 – Wine Storage Unit

- Generous 32-bottle capacity holds a variety of wine types.
- Six interchangeable chrome racks with built-in stops to prevent bottles from slipping.
- Tinted, thermal-tempered glass door protects wines from harmful UV light; reversible hinges allow flexible installation.
- Always-on interior light provides dramatic illumination of bottles.
- Three temperature zones ensure the right climate control
- 15" wide and can be easily built-in into any decor.
- Available only in a Black cabinet with Stainless Steel frame. Does not accept Custom Wood Panels.

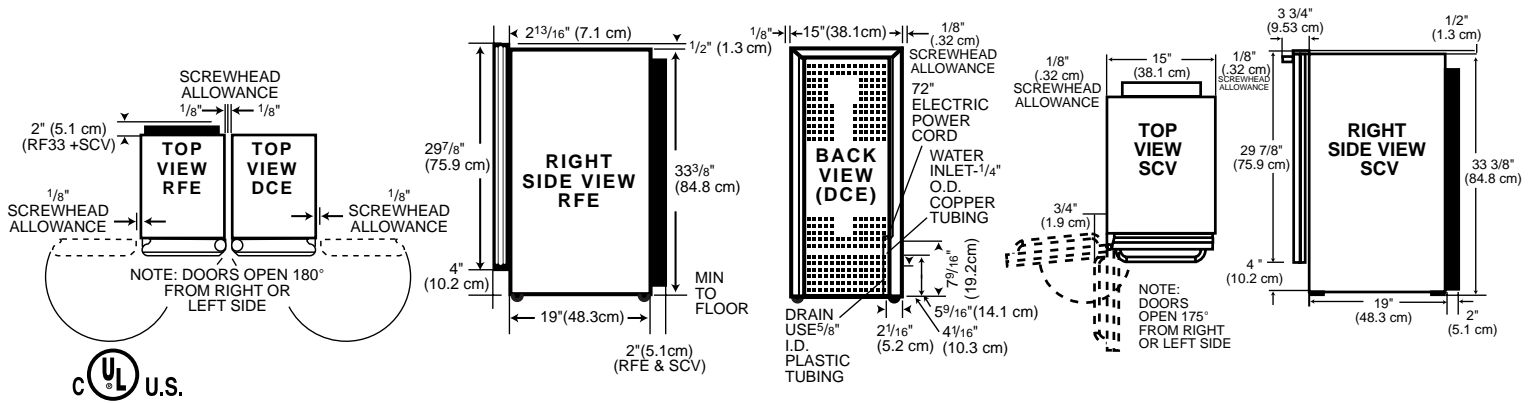
Warranty

- 1 year parts and labor on all components
- 5 years parts on compressor only

This product qualifies for the following listings:



SPECIFICATIONS



SPECIFICATIONS

Model Number	Dimensions (Height - w/o Legs) W" x D" x H"	Ice Maker		Refrigerator	Wine Storage Unit	Cond. Unit	Finish	Basic Electrical	Amps	Max Fuse Size	Ship Wt. lbs/kg.
		Bin Cap.	Ice Prod. Cap. 24 Hrs.	Storage Capacity	Storage Capacity						
DCE33A-1WB	15 x 21 ¹³ / ₁₆ x 33 ⁷ / ₈	26 lbs.	30 lbs.	-	-	Air	White	115/60/1	3.6	15	88/40
DCE33PA-1WB	15 x 21 ¹³ / ₁₆ x 33 ⁷ / ₈	26 lbs.	30 lbs.	-	-	Air	White	115/60/1	3.6	15	88/40
RFE33A-1WB	15 x 23 ¹³ / ₁₆ x 33 ⁷ / ₈	-	-	3.0 cu. ft.	-	Air	White	115/60/1	1.08	15	82/37
DCE33A-1BB	15 x 21 ¹³ / ₁₆ x 33 ⁷ / ₈	26 lbs.	30 lbs.	-	-	Air	Black	115/60/1	3.6	15	88/40
DCE33PA-1BB	15 x 21 ¹³ / ₁₆ x 33 ⁷ / ₈	26 lbs.	30 lbs.	-	-	Air	Black	115/60/1	3.6	15	88/40
RFE33A-1BB	15 x 23 ¹³ / ₁₆ x 33 ⁷ / ₈	-	-	3.0 cu. ft.	-	Air	Black	115/60/1	1.08	15	82/37
DCE33A-1SB	15 x 21 ¹³ / ₁₆ x 33 ⁷ / ₈	26 lbs.	30 lbs.	-	-	Air	Stainless Steel*	115/60/1	3.6	15	88/40
DCE33PA-1SB	15 x 21 ¹³ / ₁₆ x 33 ⁷ / ₈	26 lbs.	30 lbs.	-	-	Air	Stainless Steel*	115/60/1	3.6	15	88/40
RFE33A-1SB	15 x 23 ¹³ / ₁₆ x 33 ⁷ / ₈	-	-	3.0 cu. ft.	-	Air	Stainless Steel*	115/60/1	1.08	15	82/37
SCV32A-1SB	15 x 24 ³ / ₄ x 33 ⁷ / ₈	-	-	-	32 bottles	Air	Stainless Steel**	115/60/1	1.00	15	82/37

* Stainless Steel Front Door only. Black enamel cabinet.

**Stainless Steel Frame only. Black enamel cabinet.

- Refrigerant:** R-134A
- Drain:** DCE33A: gravity flow drain tube
DCE33PA: built-in pump to expel drain water which includes 10' drain tube.
- Trim:** Frame has track to hold custom paneling of wood, plexiglass or fabric. Cut panels 14³/₄" wide by 28¹⁵/₁₆" high.
- Insulation:** Entire bin and door have approximately 1" foam insulation to maintain ice supply.
- Cube Size:** 1¹/₄" high x 1¹/₄" diameter tapered cylindrical cube.
- Features:** Automatic shut-off, removable magnetic door gasket, four adjustable leveling legs.
- Accessories:** A36892-020 pump kit & 12-2503-21 pump: installs anytime should pump be required for proper water drainage (DCE33 only).
- SS-33: Stainless Steel Front Panel Kit.
 - KWK: White Kick Plate Kit.
 - KHAND: Custom Handle Trim Piece (Top)
 - KCE18: 18" Filler Kit- Available in White or Black only
 - KD Black: Handle with Black Lable for DCE'S
 - KRF Black: Handle with Black Lable for RFE'S
 - KSS: Wrap Around Stainless Steel Door Sleeve Kit
 - KFR1: Flat rack (1) for SCV only

IMPORTANT OPERATING REQUIREMENTS

Machine requires voltage indicated on rating name plate. Failures caused by improper voltage are not considered factory defects. Scotsman products are not designed for outdoor installations nor for installation where air temperatures fall below 50°F. or exceed 100°F., nor where water temperatures fall below 40°F. or exceed 100°F. Extended periods of operation at temperatures exceeding these limitations constitute misuse under the terms of Scotsman Manufacturer's Limited Warranty, resulting in a loss of warranty coverage.

Refer to owner's manual for all installation requirements. Please note: when installed in a corner, the door swing may be limited due to handle contact with the wall or cabinet face.

YOU'LL VALUE THE DIFFERENCE™

775 Corporate Woods Parkway • Vernon Hills, IL 60061 • (847)215-4500 • Fax: (847) 913-9844
Visit our website at: www.scotsman-ice.com • E-mail: customer.service@scotsman-ice.com

 Scotsman®

Printed In USA CSA-2003 20M 7-03