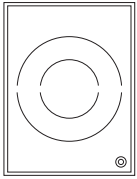


400 Series Vario  
**Induction cooktop**  
 Width 15" (38 cm)



VI 411-611

VI 411-611

- **Special appliance for the professional kitchen.** Individually combined for a consistent stainless steel design.

- **Even more cooking precision than with gas.** For the typical Asian quick braising in the middle of the wok pan.

- **Wok ring attachment optional.** For the original round-bottomed wok.

One 7 1/16" induction cooking zone (1800 W, with booster, 2500W), which automatically expands to Ø 11"(3600 W without booster option)

Electronic control in 12 output levels. Booster function for the inner cooking zone (7 1/16"). Pan detection (it also automatically switches on the outer cooking zone).

Residual heat indication.

Cooking zone marking. Control knob with illuminated ring. Safety lock.

|                              |  |
|------------------------------|--|
| <b>Optional accessories:</b> | <b>VD 400-000</b> Stainless steel cover.   |
|                              | <b>SH 400-000</b> Hinge holder<br>necessary for mounting the appliance cover.  |
|                              | <b>VV 400-000</b> Connecting strip<br>for combination with other Vario appliances (not when using downdraft ventilation).                                |
|                              | <b>VZ 400-700</b> Connecting strip<br>with timer – offers automatic cooking timer function for two appliances. Can also be used as an independent timer. |
|                              | <b>WP 400-001</b> Wok pan made of multiple-layer material, with round bottom and handle, Ø 14 3/16", height 3 15/16".                                    |
|                              | <b>WZ 400-001</b> Wok ring attachment for wok pan. (only for V1411).   |

**Planning notes:**

Installation from above.  
 Knob can be fitted in the center.  
 Plan air intake of at least 12.2 cb.in. in the furnishing rear panel.  
 Plan a venting gap of at least 3/16" by removing the furnishing cross bar at the front.  
 The minimum distance from the appliance edge to the wall or furnishing components must be at least 3/16".

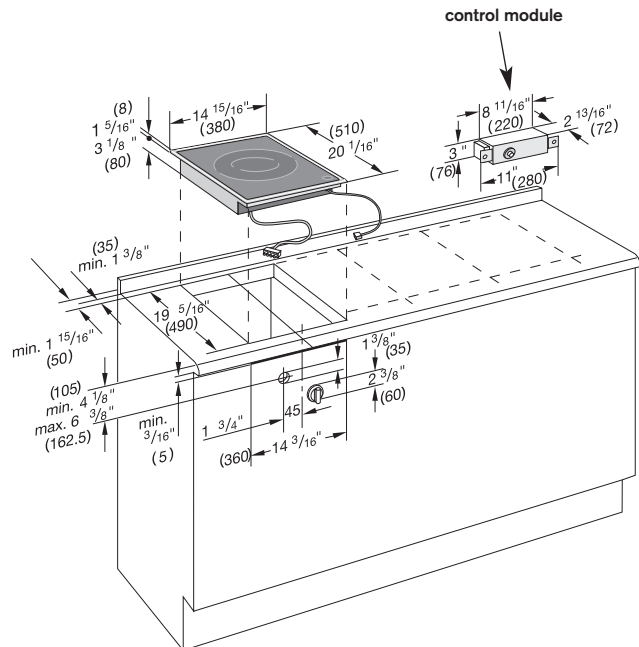
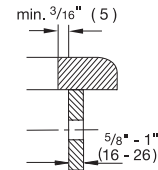
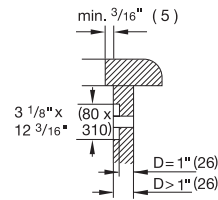
Clamping range:  
 1 3/16" – 2".

The output level is 'audible' depending on the pot material and quantity cooked.  
 Not suitable for use with 208V.

**Rating:**

**Total rating: 3.6 kW**  
**Total Amps: 16**  
**220-240V / 60Hz**

Front panel thickness 5/8" – 1".  
 The sketch below must be observed if the panel is more than 1" thick (there must be a recess at the rear for proper control module installation).



**Numbers indicated inside parenthesis ( ) = mm**