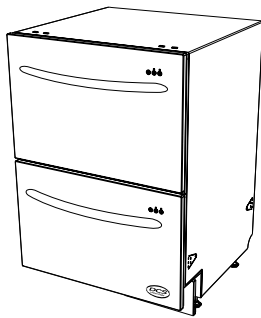
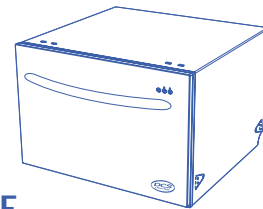


# DishDrawer®

## INSTALLATION INSTRUCTIONS



**DOUBLE**  
**DD224 SERIES MODELS**



**SINGLE**  
**DD124 SERIES MODELS**

---

### NOTE TO THE INSTALLER

1. Read these instructions completely and carefully.
2. Installation of this DishDrawer® requires basic mechanical and electrical skills.
3. Be sure to leave these Instructions with the Customer.
4. At the completion of the DishDrawer® installation, the Installer must perform Final Check List as per Section 11 of these Installation Instructions.
5. Remove all packaging materials supplied with the DishDrawer®.
6. This dishwasher is manufactured for indoor use only.

### NOTE TO THE CUSTOMER

Keep these Installation Instructions with your Use & Care for future reference. DishDrawer® must be securely anchored before it is operated.

### WARNING!

Before installing the DishDrawer®, remove the house fuse or open the circuit breaker. Ensure all water connections are turned OFF. It is the responsibility of the plumber and electrician to ensure that each installation complies with all Codes and Regulations.

### Important!

These instructions must be followed precisely to ensure correct venting and operation of the DishDrawer®. In the event of a fault related to the incorrect installation, the installer will be liable for any repairs.

### Important!

The DishDrawer® MUST be installed to allow for future removal from the enclosure if service is required.

### Important!

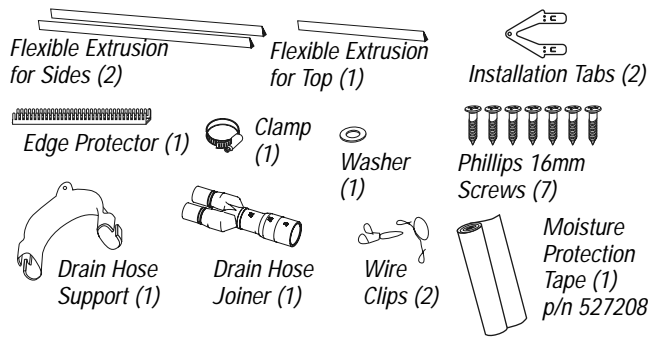
Improper installation is not covered under the Warranty.

### Important!

If the DishDrawer® is to be relocated from one installation to another it must be kept upright to avoid damage from water spillage.

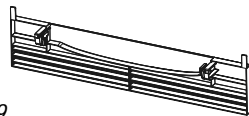
**PARTS SUPPLIED**

**DOUBLE MODELS**

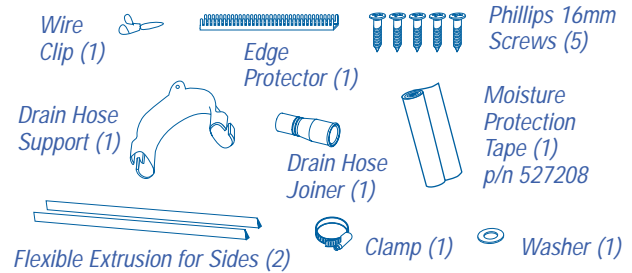


Prefinished Toe Kick (1)

White prefinished toe kick kit p/n 526678  
or Black prefinished toe kick kit p/n 526679  
or Iridium prefinished toe kick kit p/n 527109



**SINGLE MODELS**



**TOOLS NEEDED**

- Wooden Chopping Board
- Tape Measure
- Spirit Level
- Safety Glasses
- Utility Knife
- Pencil
- Sandpaper
- Drill & No.2 Phillips Bit
- No.2 Phillips Screwdriver
- Flat Screwdriver
- Adjustable Wrench or M5 Socket
- Ø1½" (38mm) Hole Saw
- Side Cutting Pliers

SPARE PARTS INSTALLATION KIT FOR SINGLE & DOUBLE MODELS: p/n 526676

**INSTALLATION PREPARATION**

**ELECTRICAL PREPARATION**

- A) The switched power outlet must be outside the DishDrawer® cavity so that it is accessible after installation.
- B) The switched power outlet must be between 6" (150mm) and 18" (450mm) from the DishDrawer® cavity.
- C) Refer to Page 9, Step 5 for electrical connection options.

**Important!**

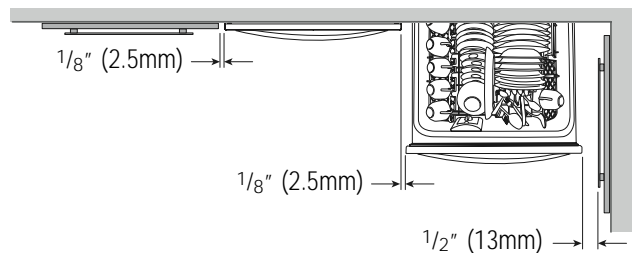
The services hole in the DishDrawer® cavity needs to be large enough for the plug on the power supply cord to fit through, but **MUST NOT** be more than 1½" (38mm).

**PLUMBING & DRAINAGE PREPARATION**

- A) A readily accessible valve must be installed in the water supply pipe.
- B) If the supply pressure exceeds 145 psi (1000kPa), then a pressure limiting valve must be used.
- C) Review Plumbing Options on pages 4 & 6. Choose a method that best suits your needs.
- D) A Drain Hose extension Kit P/N 525798 will extend the drain hoses by 141¾" (3.6m). The kit is available from the nearest Fisher&Paykel Authorized Service Agent. **DO NOT** extend beyond this limit.
- E) This Dishwasher's maximum drain height is 37½" (950mm).

**CAVITY PREPARATION**

- A) It is **recommended** that all cabinetry surrounding the DishDrawer® (including the underside of the countertop) is sealed with an oil based paint or moisture-proof polyurethane to prevent possible steam damage. The air in the cavity can get very hot and humid (saturated at 122°F/50°C)
- B) The self-adhesive moisture protection tape must be applied to the underside of the countertop to prevent moisture damage, (refer to cavity diagram pg 3 or 5). Be sure surfaces are dry and dust-free prior to application.
- C) Be sure the cavity provides sufficient material to secure the DishDrawer® using the mounting tabs (refer to step 1, page 7). If there is nothing to screw to, add a brace. See page 3 or 5 for screw locations.
- D) The services hole **MUST** be immediately adjacent to the rear lower corner of the cabinetry. If not, the hoses will prevent the DishDrawer® being pushed back into the cavity all the way. The hole can be located on either side depending on the location of the services.
- E) Be sure the cavity sides are plumb (vertical) as this will assist with levelling the DishDrawer®.
- F) Minimum clearances:



**ELECTRICAL INFORMATION**

**POWER SUPPLY CORD**

- A) Care should be taken when the appliance is installed or removed to reduce the likelihood of damage to the power supply cord.
- B) If the power supply cord is damaged, it must be replaced by the Manufacturer, Service Agent or a similarly qualified person in order to avoid a hazard.

**GROUNDING INSTRUCTIONS**

- A) This appliance must be grounded. In the event of malfunction or breakdown, grounding will reduce the risk of electric shock by providing a path of least resistance for electric current.

**⚠ WARNING!**

Improper connection of the equipment-grounding conductor can result in a risk of electric shock. Check with a qualified electrician or service representative if you are in doubt as to whether the appliance is properly grounded.

- B) This appliance is equipped with a power supply cord having an equipment-grounding conductor and an earthing plug. The power supply plug must be plugged into an appropriate outlet that is installed and earthed in accordance with all local Codes and Ordinances.

**⚠ WARNING!**

Do not modify the power supply plug provided with the appliance - if it will not fit the outlet, have a proper outlet installed by a qualified electrician. Do not use an extension cord, adaptor plug or multiple

SERVICES SPECIFICATIONS

**WATER CONNECTION**

Recommended HOT  
(Maximum 140°F/60°C).  
Supplied hose to suit 3/8" male  
compression fitting.

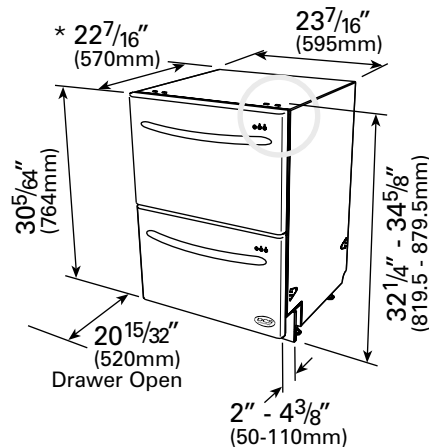
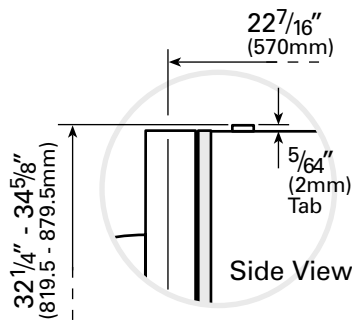
**WATER SOFTENER MODELS**

Refer to your DishDrawer® User Guide for  
how to set up your water softener.

**WATER PRESSURE**

	Maximum	Minimum
Water Softener Models	145 p.s.i. (1000kPa)	14.5 p.s.i. (100kPa)
Other Models	145 p.s.i. (1000kPa)	4.3 p.s.i. (30kPa)

\* Depth of product excludes  
Curvature 3/8" (10mm) and Handle.



**DRAIN CONNECTION**

Drain Hose Joiner to suit Ø3/4" ± 5/64", Ø5/8" ± 5/64" and  
Ø1" ± 5/64" waste tees.

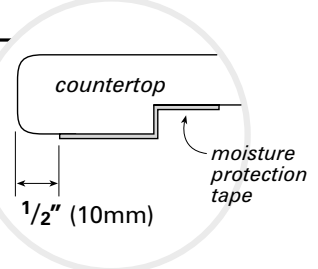
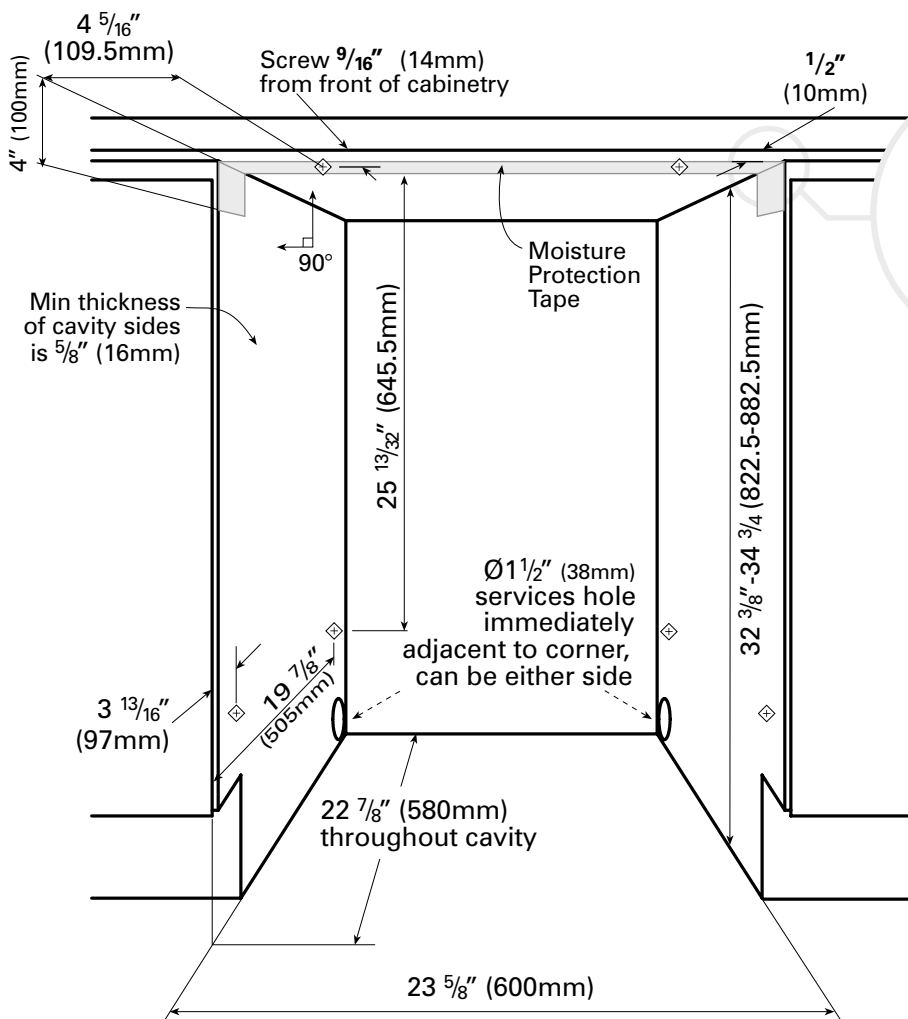
**ELECTRICAL CONNECTION**

110-120 VAC power outlet, 9 Amps Minimum.

**LENGTH OF SERVICES (FROM PRODUCT EXIT POINT)**

Drain hose - 88 9/16" (2250mm)  
Inlet hose - 68 7/8" (1750mm)  
Power supply cord - 44" (1125mm)  
NOTE: Services approximately exit product 7 7/16" (189mm) from left;  
2 1 5/8" (550mm) from front; 3 1 1/4" (793mm) from top.

THE CAVITY



◆ These marks indicate mounting tab screw locations (refer to step 1 page 7)

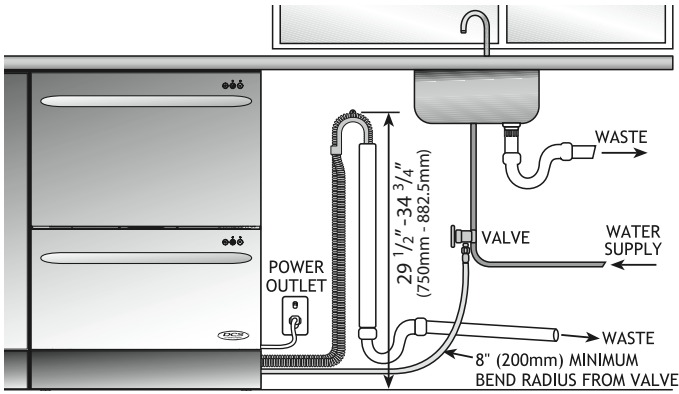
NOTE: All depth measurements are taken from the front face of the adjacent cabinetry.

**⚠ WARNING!**  
Be sure the edges of the services hole are smooth or covered. If the services hole is through a metal partition the hole must be protected with the Edge Protector provided to prevent damage to the power cord or hoses.

PLUMBING OPTIONS

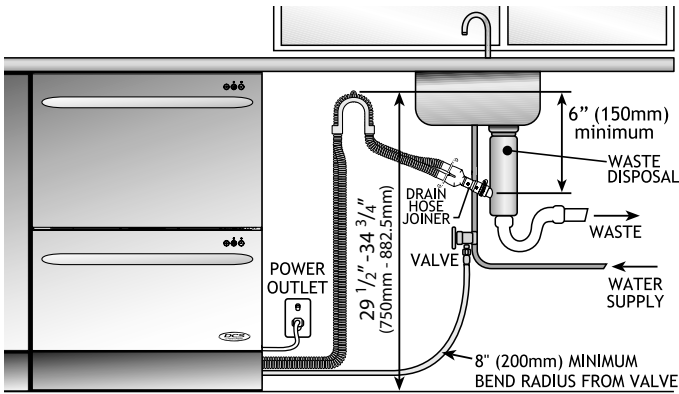
OPTION 1

DishDrawer® and Standpipe  $\varnothing 1\frac{1}{2}$ " (38mm) with Air Gap.



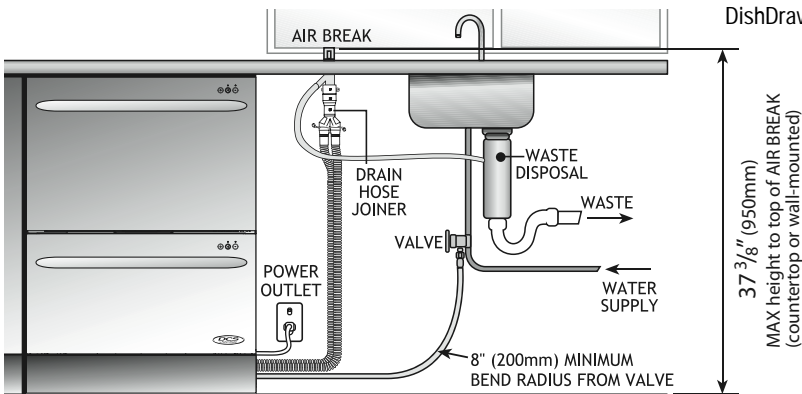
OPTION 2

DishDrawer® with Waste Disposal.



OPTION 3

DishDrawer® using Air Break with Drain Hose Joiner.



*NOTE: Prefinished Model is shown. There is no variation in plumbing between models. Option 1 is the preferred option. Drains will need to be separated to satisfy Kosher requirements. We suggest you confirm acceptability with your local Rabbi in respect to Kosher installations.*

SERVICES SPECIFICATIONS

**WATER CONNECTION**

Recommended HOT (Maximum 140°F/60°C). Supplied hose to suit 3/8" male compression fitting.

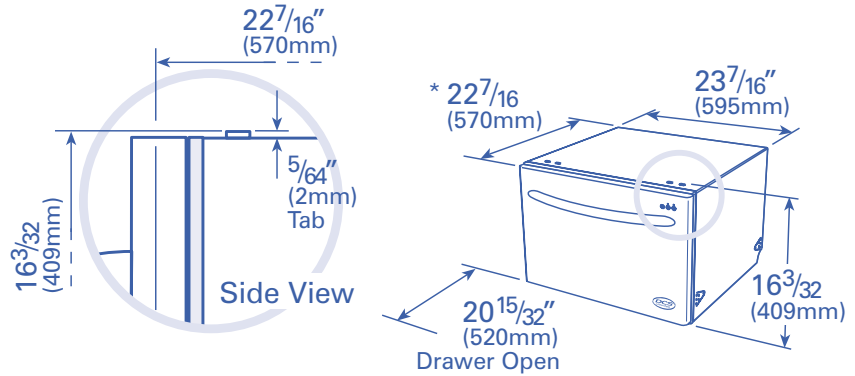
**WATER SOFTENER MODELS**

Refer to your DishDrawer® User Guide for how to set up your water softener.

**WATER PRESSURE**

	Maximum	Minimum
Water Softener Models	145 p.s.i. (1000kPa)	14.5 p.s.i. (100kPa)
Other Models	145 p.s.i. (1000kPa)	4.3 p.s.i. (30kPa)

\* Depth of product excludes Curvature 3/8" (10mm) and Handle.



**DRAIN CONNECTION**

Drain Hose Joiner to suit Ø3/4" ± 5/64" and Ø5/8" ± 5/64" waste tees.

**ELECTRICAL CONNECTION**

110-120 VAC power outlet, 4.5 Amps Minimum.

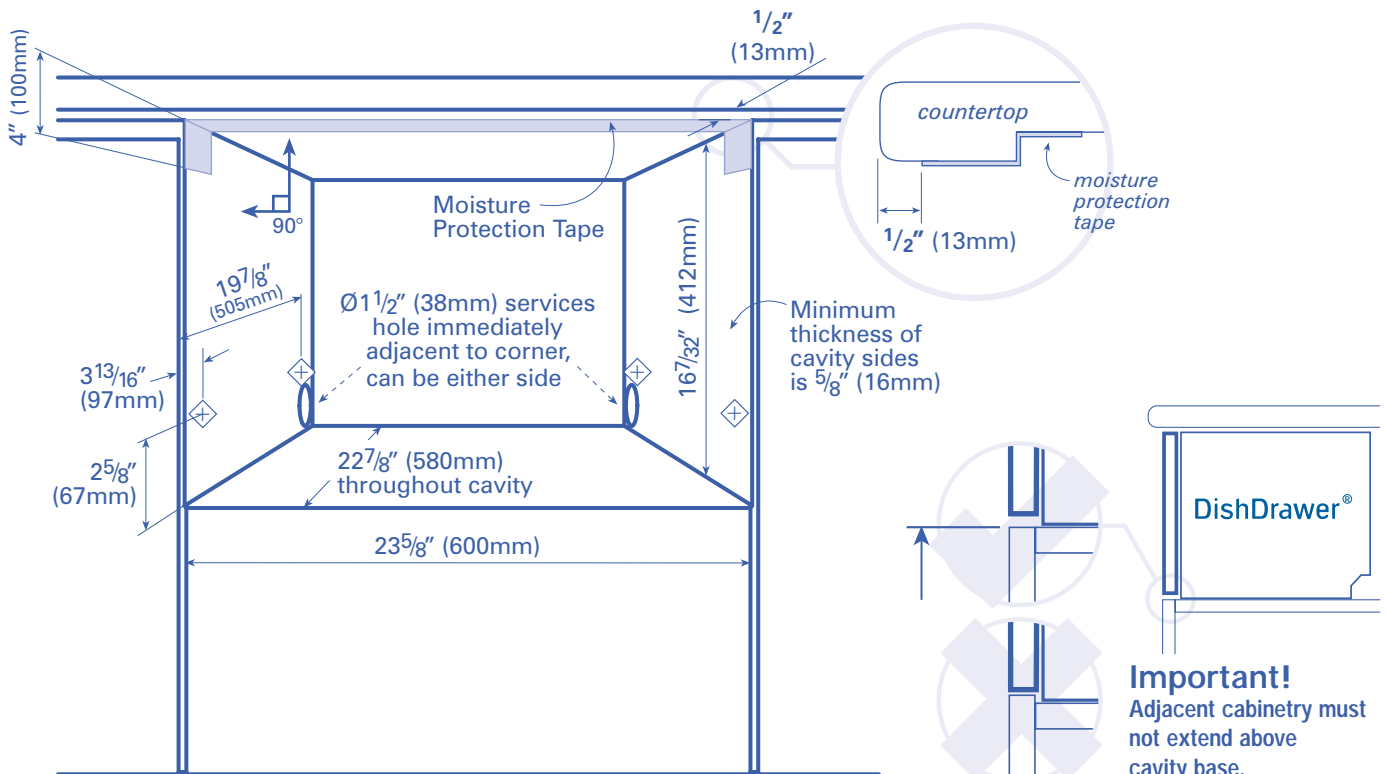
**WEIGHT**

Full 107 lb (48kg) Prefinished  
Empty 76 lb (34kg) Prefinished

**LENGTH OF SERVICES (FROM PRODUCT EXIT POINT)**

Drain hose - 88 9/16" (2250mm)  
Inlet hose - 68 7/8" (1750mm)  
Power supply cord - 44" (1125mm)  
NOTE: Services approximately exit product 7 7/16" (189mm) from left; 21 5/8" (550mm) from front; 15 1/2" (393mm) from top.

THE CAVITY



◆ These marks indicate mounting screw tab locations (refer to step 1 page 7)

NOTE: All depth measurements are taken from the front face of the adjacent cabinetry.

NOTE: To align drawer front to adjacent cabinetry, the product to countertop clearance can be increased from 1/8" (3mm).

**⚠ WARNING!**

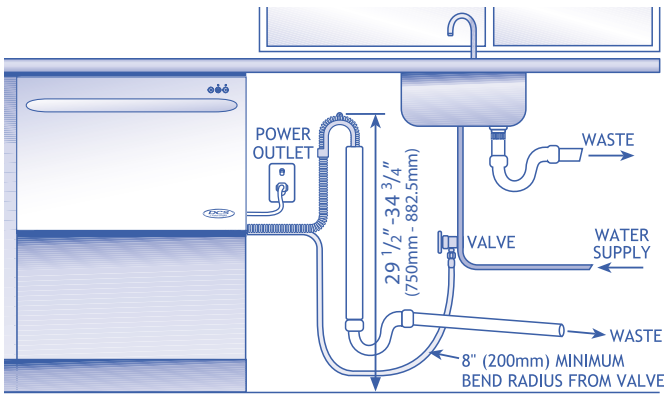
Be sure the edges of the services hole are smooth or covered. If the services hole is through a metal partition the hole must be protected with the Edge Protector provided to prevent damage to the power cord or hoses.

SINGLE MODELS

PLUMBING OPTIONS

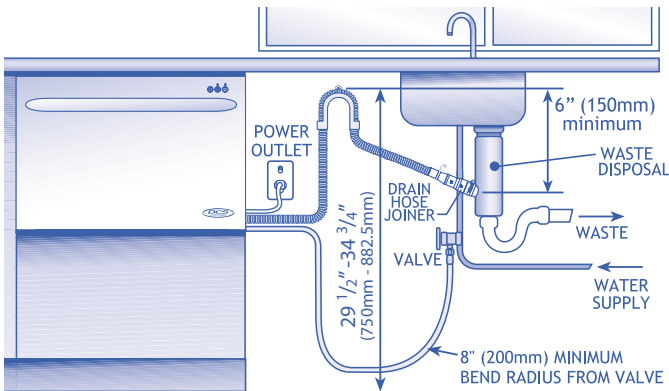
OPTION 1

DishDrawer® and Standpipe Ø1½" (38mm) with Air Gap.



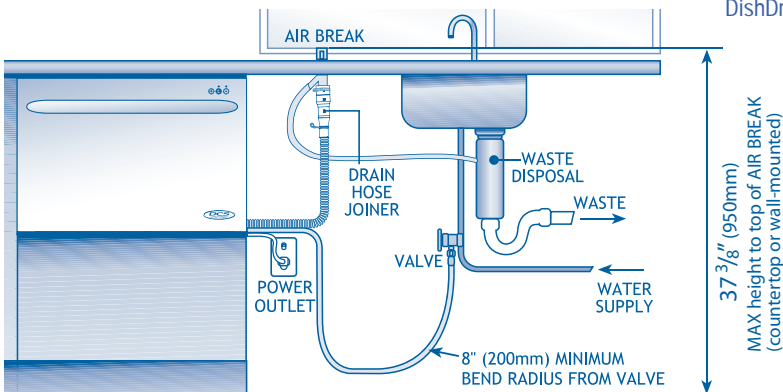
OPTION 2

DishDrawer® with Waste Disposal.



OPTION 3

DishDrawer® using Air Break with Drain Hose Joiner.

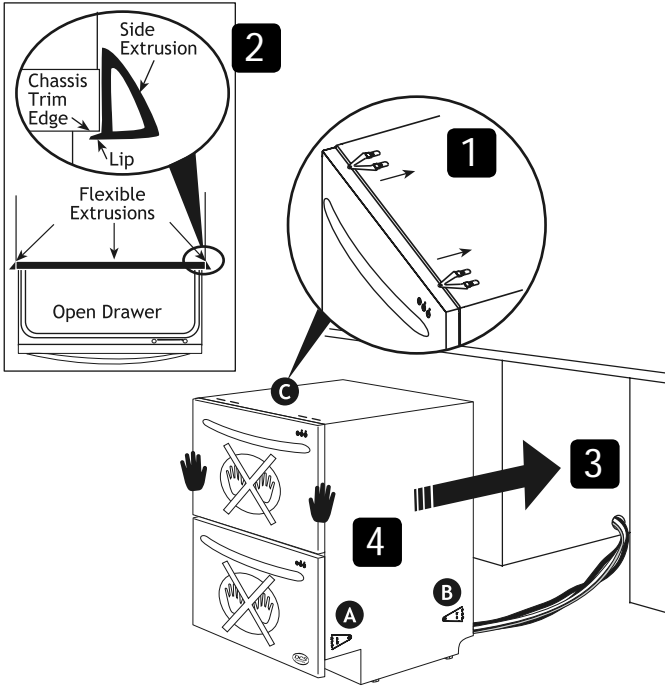


*NOTE: Prefinished Model is shown. There is no variation in plumbing between models. Option 1 is the preferred option. Drains will need to be separated to satisfy Kosher requirements. We suggest you confirm acceptability with your local Rabbi in respect to Kosher installations.*

**PLEASE NOTE:** Your model of DishDrawer® may differ from the model shown in the installation diagrams. Installation is similar for all models for either Single or Double models. Information referring to Single models only is highlighted in blue. Installation diagrams have been simplified to enable clearer instruction.

**READ THESE INSTRUCTIONS COMPLETELY AND CAREFULLY.**

## STEP 1: MOVING THE PRODUCT INTO THE CAVITY



### MOUNTING TAB OPTIONS

The mounting tabs are in pairs, one on each side of the product. They are used to secure the product to the cavity sides. Installation requires two sets of tab pairs be used. DOUBLE MODELS ONLY - **A** and **B** tab pairs OR **B** and **C** tab pairs may be used. All tabs would be optimum.

- 1** If the top installation tabs **C** are to be used, fit to the chassis by inserting into the top slots as shown. Ensure the tabs are fully locked in place.
- 2** **Optional Flexible Extrusion**  
If the cavity is 24" x 34½" (610mm x 876mm) flexible extrusions can be attached along the top and sides of the product. Open the drawer(s) to expose the chassis trim. Remove extrusion backing and adhere to the side and top of DishDrawer®. Refer to the drawing for correct placement.  
  
Be sure that extrusions do not prevent the drawer from closing completely.
- 3** Check cavity for any obstructions that may interfere with sliding the product back. DOUBLE MODELS ONLY - loosen the feet first.
- 4** Push product into cavity to suit adjacent cabinetry. Do not push middle of drawer(s). Be sure inlet, drain hose(s) and power supply cord are not restricted or damaged by carefully pulling all excess length through the services hole, while the product is being pushed back into the cavity.

### ⚠ WARNING!

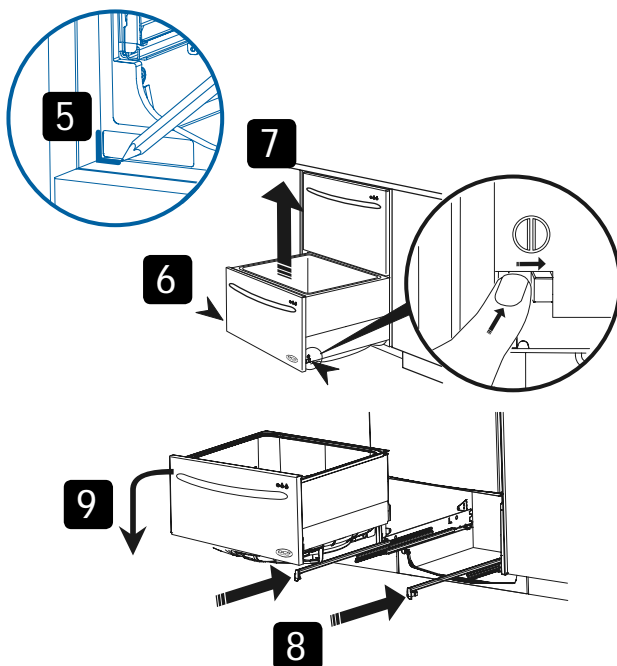
Be careful of sharp edges.

### Important!

DO NOT push middle of drawer(s).

FOR SINGLE MODELS, check that the base of the product is not bowed. Do not rest single models on your knee when moving them into the cavity.

## STEP 2: REMOVING THE TUB



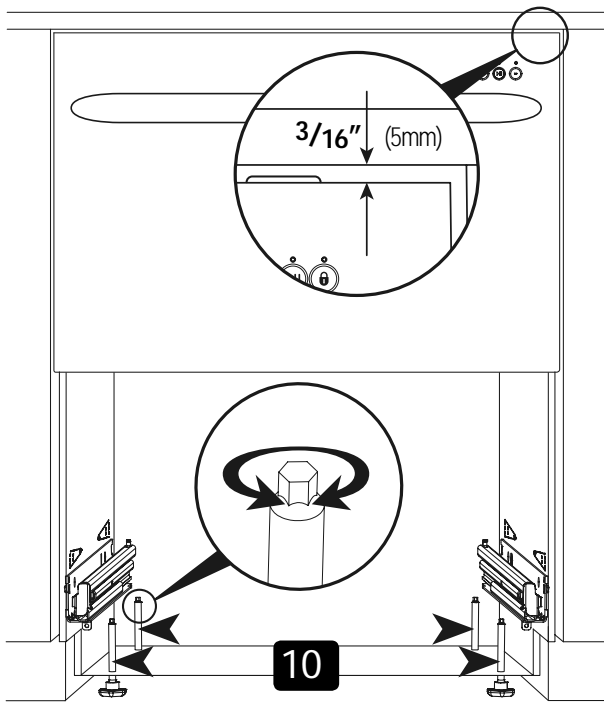
### Important! (SINGLE MODELS ONLY).

The product may move. Mark chassis position on cavity.

- 5** SINGLE MODELS ONLY. Gently open the drawer and mark the chassis position on the cavity, before removing the tub.
- 6** Open the drawer (bottom drawer in DOUBLE MODELS). Release the tub by depressing the right hand tub clip and pushing it back 13/16" (30mm). Repeat on the left hand side.
- 7** Lift the tub up off the drawer runners.
- 8** Slide both runners back into the product.
- 9** Place the tub onto the floor.  
For SINGLE MODELS, depending on the height of the cavity, the tub will need to be supported, eg on a chair.

## INSTALLATION INSTRUCTIONS

## STEP 3: ADJUSTING THE FEET (DOUBLE MODELS ONLY)

**10** **DOUBLE MODELS ONLY**

Adjust the height of the product to suit the cabinetry, by turning the feet from inside the product using a wrench or M5 socket.

**TIP - gently take the load off each foot using the slide and then turn by hand.**

**NOTE:** For integrated products, the upper panel may be aligned with the top of the adjacent cabinetry, provided a minimum  $\frac{3}{16}$ " (5mm) clearance from the counter is maintained.

**Important!**

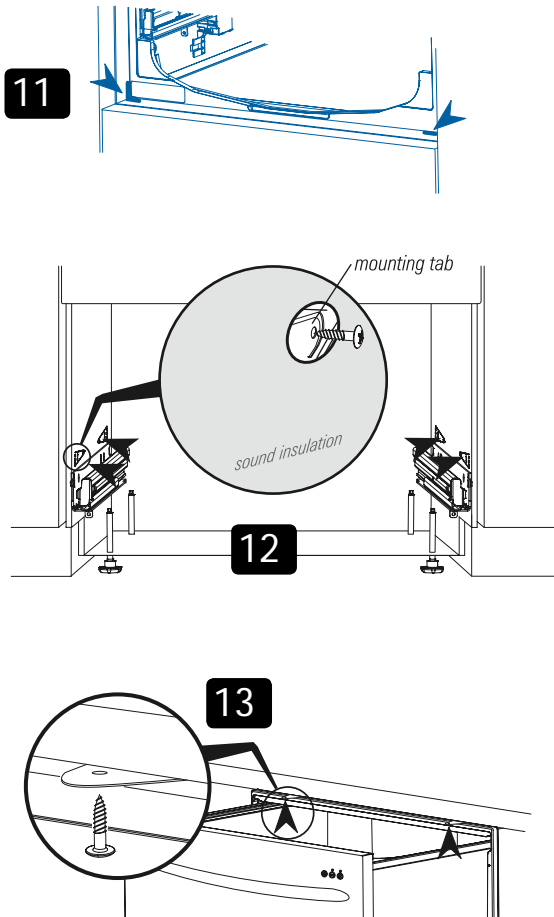
The product must be levelled to within  $\frac{3}{32}$ " (2.5mm) from front to back, and side to side.

**Important!**

The product should NOT support any part of the kitchen cabinetry.

**TIP - Place a spirit level on the drawer runners to level the product.**

## STEP 4: SECURING THE PRODUCT

**11** **SINGLE MODELS ONLY**

Check the position of the chassis is still where marked on the cavity, before securing the product.

**12**

There are four  $\frac{5}{8}$ " (16mm) round holes, two on the left and two on the right hand side in the sound insulation. These provide access to the mounting tabs.

To secure the product to the cabinetry use a  $\frac{5}{8}$ " (16mm) Phillips screw in each mounting tab.

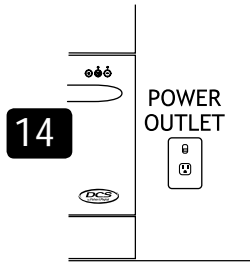
Make sure the sound insulation is positioned correctly before continuing installation.

**13** **DOUBLE MODELS ONLY**

Screw the two top tabs to the underside of bench. Use the supplied Phillips  $\frac{5}{8}$ " (16mm) screws. Tabs can accommodate a maximum of  $\frac{3}{4}$ " (19mm) vertical gap.



STEP 5: ELECTRICAL CONNECTION

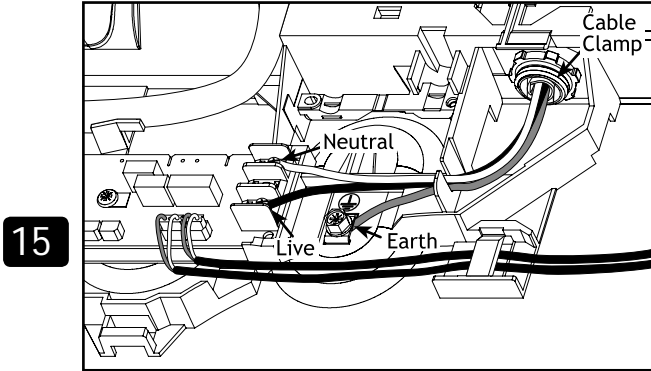


**⚠ WARNING!**  
The product **MUST NOT** be plugged in at this stage.

**⚠ WARNING!**  
If permanently connecting be sure the power is isolated.

**14** Be sure there is a power outlet in reach of the supplied power cord. If there is not a suitable outlet available then have one installed by a qualified electrician. Do not use an extension cord.

This view shows the bottom left-hand rear corner with the cover removed

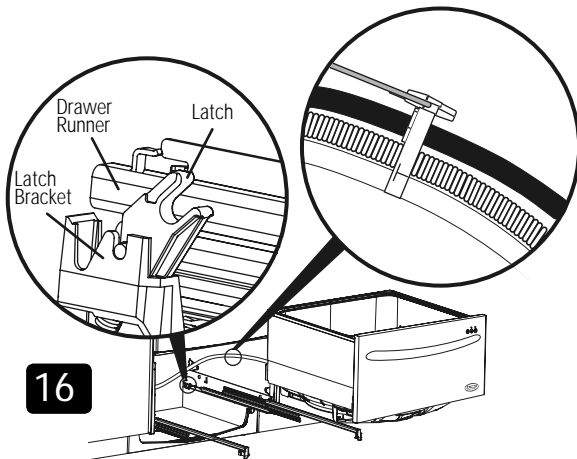


**15** Alternatively, the DishDrawer® may be permanently connected to a flexible conduit.

Remove the power supply cord. Remove round knock-out for cable clamp. Fit suitable cable clamp for the conduit and terminate the wiring as shown. Terminate the ground wire using the saddle that was used on the existing earth.

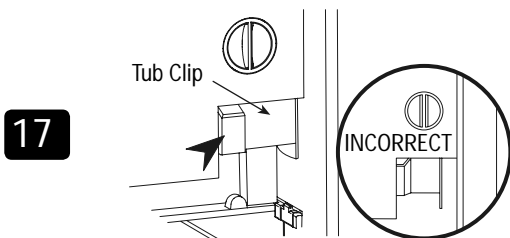
**⚠ WARNING!**  
This must only be done by a certified person.

STEP 6: REFITTING THE TUB



**Important!**  
Before refitting the tub, be sure the hoses are not twisted and the latches at the rear of each drawer runner are facing forward.

**16** To refit the tub, make sure both of the latches at the rear of each drawer runner are facing forward. Ensure hoses are hooping upward. Place the tub on the half open drawer runners and close the drawer.

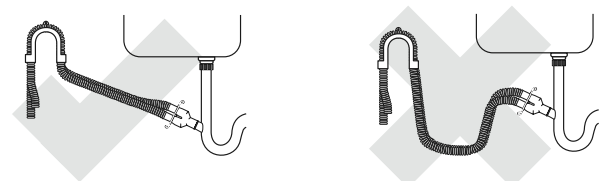
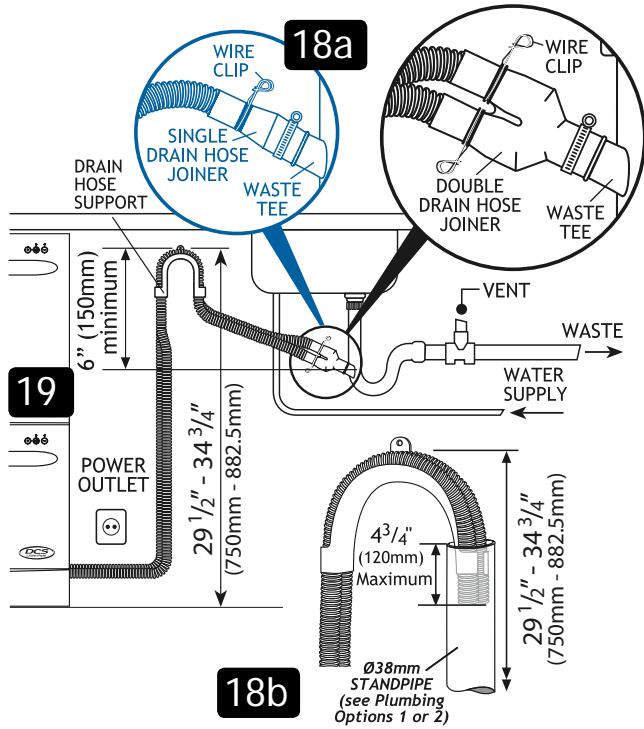


**17** Check the tub clips have reset on both sides of the tub. If not, pull the tub clips forward until the tub clip button is reset.

**Important!**  
Be sure the tub clips on both sides are reset.

**INSTALLATION INSTRUCTIONS**

**STEP 7: CONNECTING THE DRAIN HOSE(S)**



DishDrawer® with Hose Joiner (see Plumbing Options).  
Remember to slip the wire clip(s) on the drain hose(s) first.

- 18a** Slip a wire clip over each drain hose, then push the hoses into the Drain Hose Joiner firmly, 5 clicks. Position the wire clip(s) between the two positioning ribs on the Drain Hose Joiner.  
  
Attach the Drain Hose Joiner to the waste tee (see Plumbing Options). Ensure a snug fit. If required a hose clamp may be used.
- 18b** When using the standpipe option (see Plumbing Options), hose(s) should not extend further than 4 3/4" (120mm) down the standpipe, in order to prevent siphoning.
- 19** Attach the Drain Hose Support to the cabinetry (with the screw supplied) to prevent siphoning and to keep the drain hose(s) from kinking. If required, the Drain Hose(s) may be trimmed to a suitable length.

**Important!**

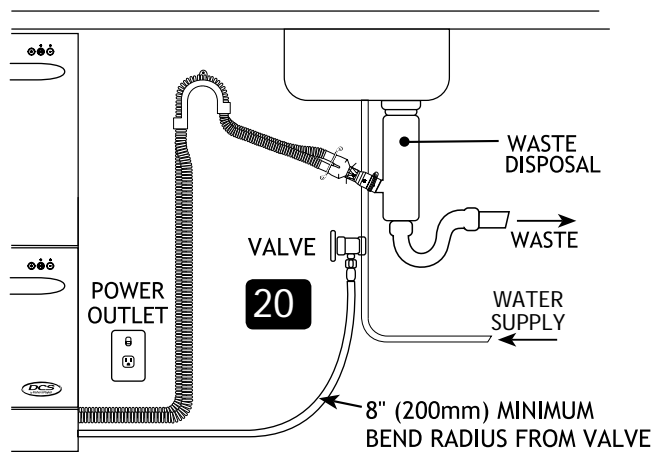
Minimum hole size to be connected to the waste tee is 1/2" (12.7mm).

Be sure the Drain Hose(s) are fully extended to prevent sagging (see diagram to the left).

The Drain Hose support must be used.

Drain Hose joiner must not support weight of hoses. Keep excess length of Drain Hose on the DishDrawer® side of the Drain Hose support or trim to suit.

**STEP 8: CONNECTING THE INLET HOSE**



**WARNING!**

DO NOT plug the product in at this stage.

**Important!**

DO NOT cut the inlet hose.

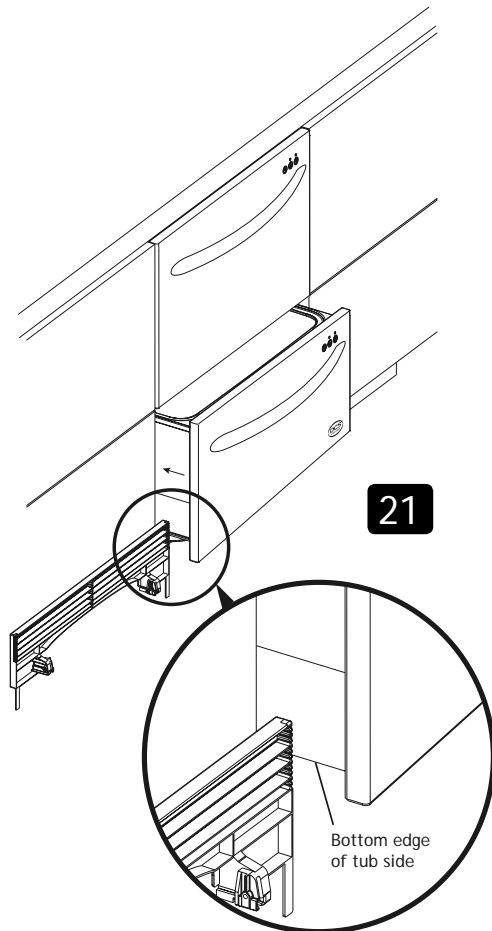
- 20** Connect the Inlet Hose to the water supply. Be sure the sealing washer is in place. The hose coupling must be tightened a further half turn after seal contact.

*TIP - Turn the water valve ON to check for any leaks.*

Alternatively flexible stainless steel hose can be plumbed directly to the inlet valve using a 3/8" brass adaptor (p/n 526161) available from the nearest Fisher & Paykel Authorized Service Agent.

*NOTE: SINGLE MODELS DO NOT HAVE A TOE KICK TO INSTALL. PROCEED TO STEP 12 FINAL CHECK LIST.*

STEP 9: MEASURING THE TOE KICK (DOUBLE MODELS ONLY)

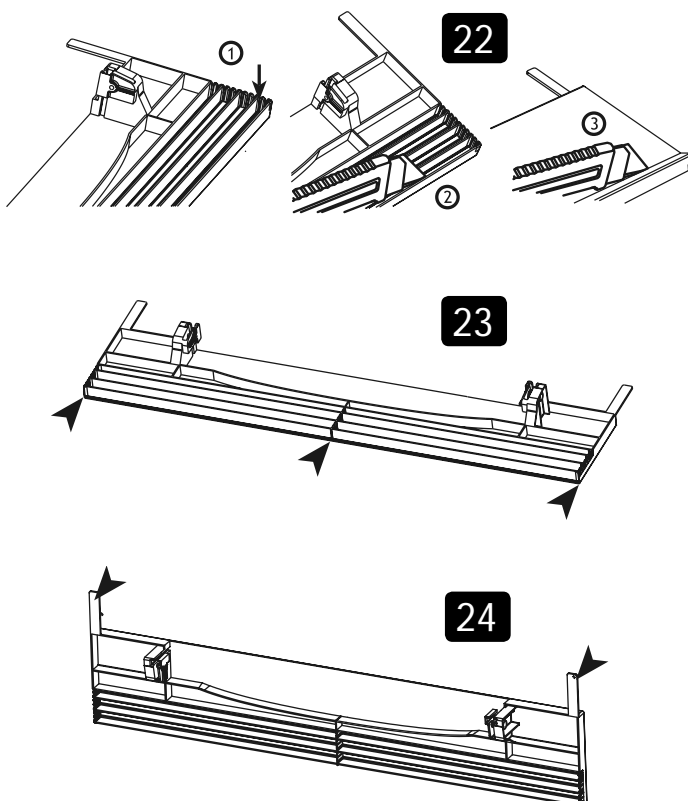


**21** Partially open the bottom drawer. Turn Prefinished Toe Kick upside down and hold vertically against the bottom edge of the **Tub side** (not the drawer front).

Mark the position of the bottom edge of the Tub side on the Toe Kick.

Choose the nearest groove to the pencil mark which will result in the shortest Toe Kick.

STEP 10: TRIMMING THE TOE KICK (DOUBLE MODELS ONLY)



**Important!**

Before cutting ensure the Toe Kick is positioned on a wooden chopping board to avoid damage to surrounding area.

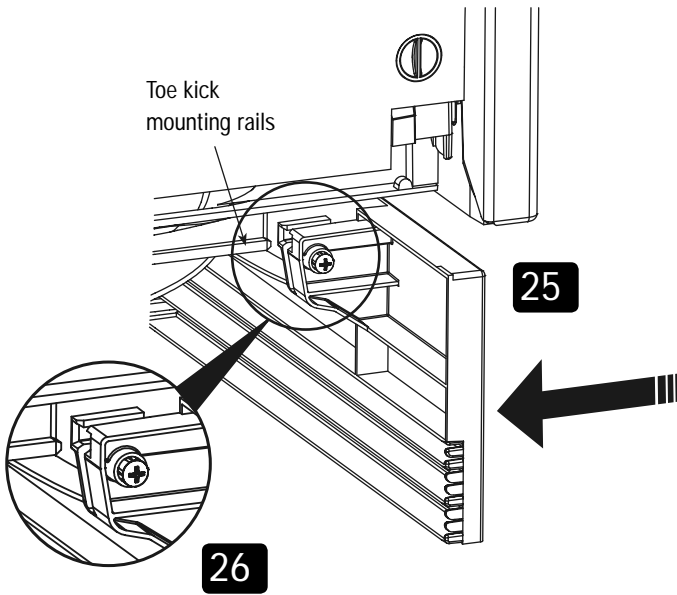
**22** On the chosen groove cut down the vertical ribs at the centre and the ends using a knife. Cut along full length with a knife. Turn Toe Kick over, bend and then cut from front. Sand or scrape bottom edge to remove rough patches.

**⚠ WARNING!**  
Remove all sharp edges

**23** To avoid a cutting hazard remove **all** sharp edges after trimming.

**24** Remove Toe Kick tabs by snapping them off.

**STEP 11: FITTING THE TOE KICK TO THE PRODUCT (DOUBLE MODELS ONLY)**



**25** Partly open bottom drawer. Position Toe Kick behind door and slide onto the mounting rails on the underside of tub.

**26** Close bottom drawer, check if flush with adjacent cabinetry. If required open drawer and adjust.  
*Note: Clearance between Toe Kick and floor must be 12mm minimum.*

When Toe Kick is in position, open bottom drawer and gently fasten the Toe Kick screws, on each side.

**Important!**

**DO NOT** over tighten screws.

Overtightening will damage the plastic mounting detail.

**STEP 12: FINAL CHECKLIST (DOUBLE AND SINGLE MODELS)**

- Be sure product is level, securely fastened to the cabinetry and opens and closes freely. The DishDrawer® must be free to close with no resistance from the cabinetry.
- Be sure the inlet hose to valve connection is tightened a further half turn after seal contact.
- Be sure any knock-outs or plugs in drain connection have been drilled out and drain connection has been made.
- Turn ON the power and water supply. The DishDrawer® should beep and light up.
- Open the drawer(s) and check operation of Wash Program Control Panel and check the sprayarm(s) are in place and free to rotate.
- On the Wash Program Control Panel select Rinse and close the drawer(s). Start the program by pressing the Start/Pause button.
- After the Rinse program has finished, be sure the machine has run and drained correctly.
- Check water supply and drainage connection for leakage.
- Repeat for each Drawer.
- LEAVE ALL LITERATURE WITH CUSTOMER.

**TROUBLE SHOOTING**

- Excessive water remaining above the filter plate, after the rinse cycle; check for kinked drain hoses or blocked waste connection.
- No water supply; check water is connected, ON and there is the specified water pressure.
- DishDrawer® does not light up when the tub is opened; be sure power is connected and is switched ON.
- Water around water supply and drainage connections - check connections, existing plumbing and hoses for leaks.
- If a fault occurs, consult the Fault Code Section of the Use & Care.
- If unable to resolve, contact your Customer Care Centre.

**STEP 13: CUSTOMER CARE**

If you have any questions concerning the installation of this DishDrawer®, please contact DCS Appliances.

**FOR THE UNITED STATES OF AMERICA (USA) & CANADA**

DCS Appliances  
Attention: Consumer Relations  
5900 Skylab Road  
Huntington Beach, CA 92647  
Fax us at: (714) 372-7003  
email: support@dcsappliances.com  
web site: www.dcsappliances.com

**PHONE TOLL FREE: (888) 281-5698**