

EURO VENTHOODS

Euro Venthood (as shown) | ES30, ES36



PROFESSIONAL CHEFS DEMAND PERFORMANCE WHEN THEY COOK. SO SHOULD YOU. BECAUSE OF OUR UNIQUE HERITAGE IN MANUFACTURING BOTH COMMERCIAL AND RESIDENTIAL APPLIANCES, WE HAVE EXPERIENCE IN CREATING PRODUCTS THAT DELIVER EXCEPTIONAL PERFORMANCE.

OUR TIRELESS PURSUIT OF PROFESSIONAL PERFORMANCE HAS LEAD TO SEVERAL UNIQUE FEATURES, MANY OF WHICH YOU WILL NOT FIND ON OTHER RESIDENTIAL KITCHEN APPLIANCES.

TRUE VENTILATION: Professional chefs need powerful ventilation when cooking. Our Vent Hoods system eliminates unwanted grease, smoke and odors instantly, allowing you to get on with the business at hand without worrying about driving your guests out of the kitchen.

That means a more enjoyable cooking experience.

We encourage you to find out more about these features and learn how they could make you a better cook by visiting our learning page at: www.dcsappliances.com.



VENTHOODS

MODEL NUMBER	ES30	ES36
CFM RATING	600	600
SONE RATING	9	9
MAXIMUM DUCT LENGTH	40 FT. TOTAL	40 FT. TOTAL
REQUIRED DUCT SIZE (Diameter)	8"Ø	8"Ø
SHIPPING DIMS (L x W x H)	36" x 29" x 19"	42" x 29" x 19"
SHIPPING WEIGHT (lb)	80	100

Power Requirements:

- ▶ 120V 60Hz
- ▶ 3 wire 15 amp circuit

Standard Features:

- ▶ 2 level halogen lighting (50 watts, 120V)
- ▶ Vertical or horizontal ducting option
- ▶ Transition included
- ▶ Inline damper included
- ▶ Wall mount or cabinet mount installation
- ▶ Low profile baffle filters easily cleaned in a DishDrawer

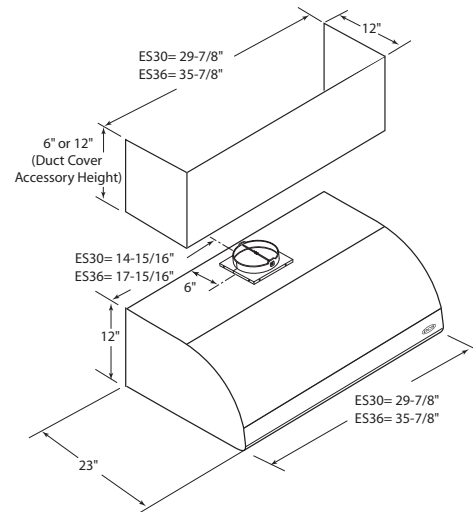
Recommended Accessories:

- ▶ Infrared Warming Lamp Kits
 - IR30 – Kit with single 175 W heat lamp for use in ES30 model
 - IR36 – Kit with two 175 W heat lamp for use in ES36 model
- ▶ Duct Cover
 - VDC1230 – 12" Duct cover for ES30
 - VDC1236 – 12" Duct cover for ES36
 - VDC630 – 6" Duct cover for ES30
 - VDC636 – 6" Duct cover for ES36
- ▶ Backguard for Range
 - BGS-3030 – 29-7/8" W x 28-1/8" H with two warming shelves
 - BGS-3036 – 35-7/8" W x 28-1/8" H with two warming shelves
 - BGS-3048 – 47-7/8" W x 28-1/8" H with three warming shelves
 - BGS-1230 – 29-7/8" W x 10-1/8" H
 - BGS-1236 – 35-7/8" W x 10-1/8" H
 - BGS-1248 – 47-7/8" W x 10-1/8" H
- ▶ Backguard for Cooktop
 - BGC-3036 – 35-7/8" W x 30" H with two warming shelves
 - BGC-3048 – 47-7/8" W x 30" H with three warming shelves
 - BGC-1236 – 35-7/8" W x 12" H
 - BGC-1248 – 47-7/8" W x 12" H

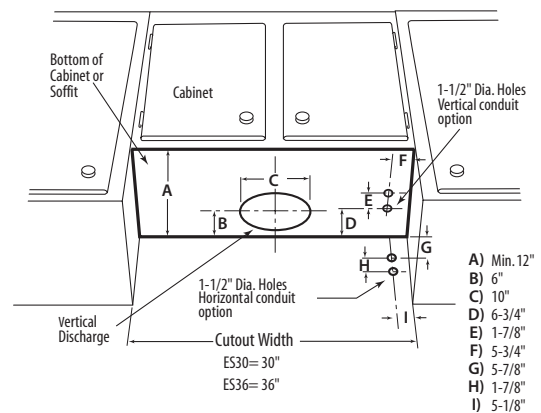
Warranty

All Venthoods are covered by a one (1) year comprehensive parts and labor warranty. In addition, a five (5) year limited parts warranty covers specific parts that vary by model. Please see the product Use and Care Manual for the specified parts covered under this warranty. A lifetime warranty covers all stainless steel components against manufacture related defects. This excludes discoloration or surface corrosion scratches resulting from improper use and care. Please refer to product Use and Care Manual for proper care and maintenance.

Product Dimensions:

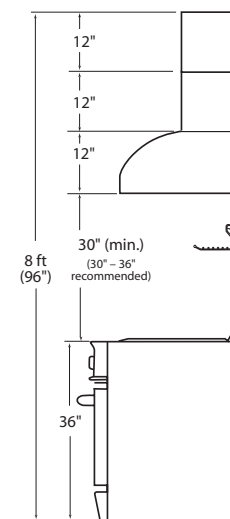


Cabinet Installation:



Wall Mount Installation:

Installation height with a standard 8 ft ceiling height



For more information on our complete line of residential kitchen appliances or to find out more about our outdoor product line, please call 1.800.433.8466 or visit www.dcsappliances.com

©2004 Fisher & Paykel Appliances, Inc.
5900 Skylab Road, Huntington Beach, CA 92647

P/N 17848 REV.A 11/04



Because of continuing product improvement these specifications are subject to change without notice.