



# THE PROFESSIONAL DOWNDRAFT

Use and Care Guide



**MODELS:**  
DD-36SS  
DD-30SS



# A MESSAGE TO OUR CUSTOMERS

---

Thank you for selecting this DCS Downdraft Vent System. Because of its unique features, we have developed this Use and Care Guide. It contains valuable information on how to properly operate and maintain your new Downdraft Vent System for years of safe and enjoyable service.

To help serve you better, please fill out and return the Ownership Registration Card and keep this guide handy, as it will help answer questions that may arise as you use your Downdraft Vent System.

For your convenience, product questions can be answered by a DCS Customer Care Representative by phone: 1-888-281-5698, email: [support@dcsappliances.com](mailto:support@dcsappliances.com)

or by mail:  
Fisher & Paykel Appliances, Inc.  
Attention: DCS Customer Care  
5900 Skylab Road  
Huntington Beach, CA 92647

[www.dcsappliances.com](http://www.dcsappliances.com)

---

## **WARNING**

### **TO REDUCE THE RISK OF A COOK TOP GREASE FIRE:**

*Never leave surface units unattended at high settings. Boilovers cause smoking and greasy spillovers that may ignite. Heat oils slowly on low or medium setting. Always turn the Downdraft "ON" when cooking at high heat or when cooking flaming foods. Clean ventilating fans frequently. Grease should not be allowed to accumulate on fan or filter. Use proper pan size. Always use cookware appropriate for the size of the surface element.*

---

## **WARNING**

**TO REDUCE THE RISK OF INJURY TO PERSONS IN THE EVENT OF A COOKTOP GREASE FIRE, OBSERVE THE FOLLOWING: SMOTHER FLAMES** with a close-fitting lid, cookie sheet, or metal tray, then turn off the burner. **BE CAREFUL TO PREVENT BURNS.** If the flames do not go out immediately **EVACUATE AND CALL THE FIRE DEPARTMENT. NEVER PICK UP A FLAMING PAN** - You may be burned. **DO NOT USE WATER**, including wet dishcloths or towels - a violent steam explosion will result. Use an extinguisher **ONLY** if:

1. You know you have a Class ABC extinguisher, and you already know how to operate it.
2. The fire is small and contained in the area where it started.
3. The fire department is being called.
4. You can fight the fire with your back to an exit.

**PLEASE RETAIN THIS MANUAL FOR FUTURE REFERENCE.**

# TABLE OF CONTENTS

---

SAFETY PRACTICES & PRECAUTIONS .....	3
USE AND CARE .....	4
WIRING DIAGRAM .....	5
HOW TO OBTAIN SERVICE .....	6
WARRANTY .....	7-8

# SAFETY PRACTICES & PRECAUTIONS

---



## **WARNING:**

***ALL WALL AND FLOOR OPENINGS WHERE THE Downdraft IS INSTALLED MUST BE SEALED.***

Consult the cooktop or range installation instructions given by the manufacturer before making any cutouts. **MOBILE HOME INSTALLATION** - The installation of this Downdraft must conform to the Manufactured Home Construction and Safety Standards, Title 24 CFR, Part 3280 (formerly Federal Standard for Mobile Home Construction and Safety, Title 24, HUD, Part 280). Three wire power supply must be used and the appliance wiring must be revised. See Electrical Requirements.

- Venting system **MUST** terminate outside the home.
- **DO NOT** terminate the ductwork in an attic or other enclosed space.
- **DO NOT** use 4" laundry-type wall caps.
- Flexible-type ductwork is not recommended.
- **DO NOT** obstruct the flow of combustion and ventilation air.
- Failure to follow venting requirements may result in a fire.
- Electrical ground is required on this Downdraft system.
- If cold water pipe is interrupted by plastic, non-metallic gaskets or other materials, **DO NOT** use for grounding.
- **DO NOT** ground to a gas pipe.
- **DO NOT** have a fuse in the neutral or grounding circuit. A fuse in the neutral or grounding circuit could result in electrical shock.
- Check with a qualified electrician if you are in doubt as to whether the downdraft is properly grounded.
- Failure to follow electrical requirements may result in a fire.



## **WARNING:**

***TO REDUCE THE RISK OF FIRE, ELECTRICAL SHOCK, OR INJURY TO PERSONS, OBSERVE THE FOLLOWING:***

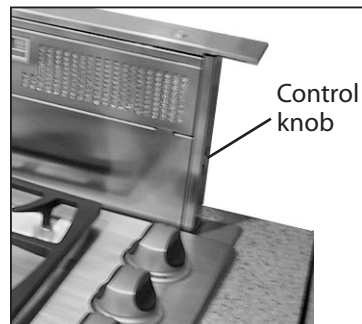
Use this unit only in the manner intended by the manufacturer. If you have any questions, contact the manufacturer. Before servicing or cleaning unit, switch power off at service panel and lock the service disconnecting means to prevent power from being switched on accidentally. When the service disconnecting means cannot be locked, securely fasten a prominent warning device, such as a tag, to the service panel. Installation Work And Electrical Wiring Must Be Done By Qualified Person(s) In Accordance With All Applicable Codes And Standards, Including Fire-Rated Construction. Sufficient air is needed for proper combustion and exhausting of gases from fuel burning equipment through the flue (chimney) to prevent backdrafting. Follow the heating equipment manufacturer's guideline and safety standards such as those published by the National Fire Protection Association (NFPA), and the American Society for Heating, Refrigeration and Air Conditioning Engineers (ASHRAE), and the local code authorities. When cutting or drilling into wall or ceiling, do not damage electrical wiring and other hidden utilities. Ducted fans must always be vented to the outdoors.

# USE & CARE INFORMATION

This vent system is designed to remove smoke, cooking vapors and odors from the cooktop area. This unit also has several features to insure operator safety.

## TO OPERATE THE DOWNDRAFT

Push the Up/Down button on top of the Downdraft to raise the plenum as indicated. The speed control knob is located on the right hand side of the plenum. Press the Up/Down button to lower the unit. The Up/Down button must be pressed and held momentarily to raise or lower the plenum. This is a safety feature which protects against accidental activation when cleaning the plenum. For best results, start the Downdraft before cooking and allow the unit to operate for several minutes after cooking is complete to clear all smoke and odors from the kitchen. If using large pots, place them on the rear burner to insure proper ventilation. A higher fan setting may be required.



## CLEANING

The metal grease filters should be cleaned frequently in hot detergent solution or washed in the dishwasher. The plenum and top strip should be cleaned with stainless steel cleaner. Abrasives and scouring agents can scratch stainless steel finishes and should not be used.

## USE WITH GAS COOKTOPS

The DCS Downdraft Vent System is designed for safe use with gas cooktops and will not extinguish burners or pilots. The blower does not start operation until the plenum has reached the full upright position. Also, the blower stops operation as soon as the Up/Down switch is pressed to lower the unit.



### **WARNING:**

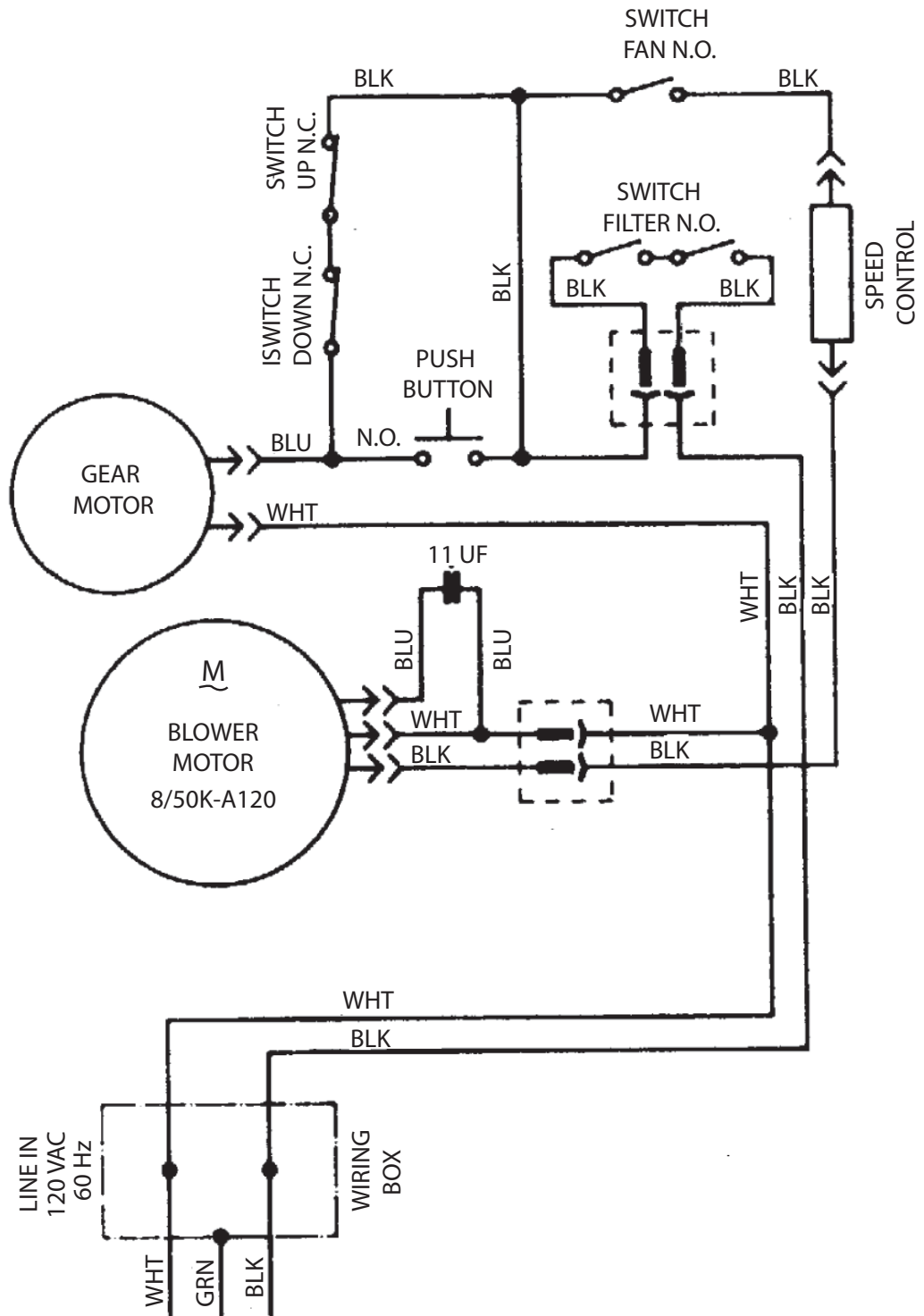
*If a spill occurs on the cooktop that allows liquids to seep inside the Downdraft, you must turn the Downdraft off immediately. It is possible to cause damage to the Downdraft if water is allowed inside the Downdraft while it is operating.*

- Immediately turn "OFF" the Downdraft at the speed control located on the right hand side of the Downdraft.
- Turn "OFF" the power supply to the Downdraft at the circuit breaker box or fuse box.
- Allow plenty of time for the Downdraft to dry naturally. Do not open the Downdraft to remove the water. Failure to follow these warnings could result in damage to the Downdraft.

## SAFETY MICROSWITCHES

This Downdraft Vent System is designed with a safety microswitch behind the center of each grease filter. These microswitches prevent the blower and plenum-raising mechanism from operating when either of the grease filters is removed. It is very important to make sure that the grease filters are properly and firmly in place after cleaning. If the unit does not operate after replacing the grease filters, make sure the filters are properly installed and are making firm contact with the safety microswitches.

# WIRING DIAGRAM



## HOW TO OBTAIN SERVICE:

Before you call for service:

- 1) Is the circuit breaker tripped or the fuse blown?
- 2) Is there a power outage in the area?
- 3) Are the grease filters properly installed?
- 4) Will the unit go up/down and the blow control is on?

For warranty service, contact DCS Customer Care at (888) 281-5698. Before you call, please have the following information ready:

- Model Number
- Serial Number
- Date of installation
- A brief description of the problem

Your satisfaction is of the utmost importance to us. If a problem cannot be resolved to your satisfaction, please write at:

Write:  
Fisher & Paykel Appliances, Inc.  
Attention: DCS Customer Care  
5900 Skylab Road  
Huntington Beach, CA 92647

# WARRANTY

---

## LIMITED WARRANTY

When you purchase a new DCS Ventilation Product for personal or consumer use you automatically receive a One year Limited Warranty covering parts and labor for the entire product, and a Five year Limited Warranty on the switches and motor (parts only) for servicing within the 48 mainland United States, Hawaii, Washington D.C and Canada. In Alaska the Limited Warranty is the same except that you must pay to ship the Product to the service shop or for the service technician's travel to your home. Products for use in Canada must be purchased through the Canadian distribution channel to ensure regulatory compliance.

If the Product is installed in a motor vehicle, boat or similar mobile facility, you receive the same One year Limited Warranty, but you must bring the vehicle, boat or mobile facility containing the Product to the service shop at your expense or pay the service technician's travel to the location of the Product.

## FISHER & PAYKEL UNDERTAKES TO:

Repair without cost to the owner either for material or labor any part of the Product, the serial number of which appears on the Product, which is found to be defective. In Alaska, you must pay to ship the Product to the service shop or for the service technician's travel to your home. If the Product is installed in a motor vehicle, boat or similar mobile facility, you must bring it to the service shop at your expense or pay for the service technician's travel to the location of the Product. If we are unable to repair a defective part of the Product after a reasonable number of attempts, at our option we may replace the part or the Product, or we may provide you a full refund of the purchase price of the Product (not including installation or other charges).

This warranty extends to the original purchaser and any succeeding owner of the Product for products purchased for ordinary single-family home use. All service under this Limited Warranty shall be provided by Fisher & Paykel or its Authorized DCS Service Agent during normal business hours.

## HOW LONG DOES THIS LIMITED WARRANTY LAST?

Our liability under this Limited Warranty for the entire product expires ONE YEAR from the date of purchase of the Product by the first consumer. Our liability under this Limited Warranty for the switches and motor (parts only) expires FIVE YEARS from the date of purchase of the Product by the first consumer.

Our liability under any implied warranties, including the implied warranty of merchantability (an unwritten warranty that the Product is fit for ordinary use) also expires ONE YEAR (or such longer period as required by applicable law) from the date of purchase of the Product by the first consumer. Some states do not allow limitations on how long an implied warranty lasts, so this limit on implied warranties may not apply to you.

## THIS WARRANTY DOES NOT COVER:

- A. Service calls that are not related to any defect in the Product. The cost of a service call will be charged if the problem is not found to be a defect of the Product. For example:
1. Correct faulty installation of the Product.
  2. Instruct you how to use the Product.
  3. Replace house fuses, reset circuit breakers, correct house wiring or plumbing, or replace light bulbs.
  4. Correct fault(s) caused by the user.
  5. Change the set-up of the Product.
  6. Unauthorized modifications of the Product.



# WARRANTY

7. Noise or vibration that is considered normal, for example, drain/fan sounds, regeneration noises or user warning beeps.

8. Correcting damage caused by pests, for example, rats, cockroaches etc.

B. Defects caused by factors other than:

1. Normal domestic use or

2. Use in accordance with the Product's User Guide.

C. Defects to the Product caused by accident, neglect, misuse, fire, flood or Act of God.

D. The cost of repairs carried out by non-authorized repairers or the cost of correcting such unauthorized repairs.

E. Travel Fees and associated charges incurred when the product is installed in a location with limited or restricted access. (i.e. airplane flights, ferry charges, isolated geographic areas).

F. Normal recommended maintenance as set forth in the Product's User Guide.

If you have an installation problem contact your dealer or installer. You are responsible for providing adequate electrical, exhausting and other connection facilities. We are not responsible for consequential or incidental damages (the cost of repairing or replacing other property damaged if the Product is defective or any of your expenses caused if the Product is defective). Some states do not allow the exclusion or limitation of incidental or consequential damages, so the above limitation or exclusion may not apply to you.

## HOW TO GET SERVICE

Please read your User Guide. If you then have any questions about operating the Product, need the name of your local DCS Authorized Service Agent, or believe the Product is defective and wish service under this Limited Warranty, please contact your dealer or call us at:

TOLL FREE 1-888-281 5698 or contact us through our web site: [www.dcsappliances.com](http://www.dcsappliances.com).

You may be required to provide reasonable proof of the date of purchase of the Product before the Product will be serviced under this Limited Warranty.

## COMMERCIAL USE

This warranty applies to appliances used in residential applications; it does not cover their use in commercial situations.

## NO OTHER WARRANTIES

This Limited Warranty is the complete and exclusive agreement between you and Fisher & Paykel regarding any defect in the Product. None of our employees (or our Authorized Service Agents) are authorised to make any addition or modification to this Limited Warranty.

Warrantor: Fisher & Paykel Appliances, Inc.

If you need further help concerning this Limited Warranty, please call us at the above number, or write to:

Fisher & Paykel Appliances, Inc.  
5900 Skylab Road, Huntington Beach, CA 92647

This Limited Warranty gives you specific legal rights, and you may also have other rights which vary from state to state.



# HOTTE PROFESSIONNELLE

Manuel d'utilisation et d'entretien



MODELES :  
DD-36SS  
DD-30SS



# A L'INTENTION DE NOS CLIENTS

---

Nous vous remercions d'avoir choisi cette hotte à évacuation à tirage par le bas de DCS. Nous avons conçu ce Manuel d'utilisation et d'entretien pour expliquer ses fonctions uniques. Il contient des informations extrêmement utiles sur la façon de faire fonctionner et d'entretenir correctement votre nouvel appareil. Vous pourrez ainsi en profiter pendant des années en toute sécurité.

Aidez-nous à mieux vous servir en remplissant la Carte d'enregistrement du propriétaire et en nous la renvoyant. Gardez ce manuel à portée de main afin de trouver rapidement réponse à vos questions durant l'utilisation de votre hotte.

Si vous avez des questions au sujet de notre produit, communiquez avec un représentant du service à la clientèle DCS par téléphone : 1-888-281-5698 ou par email : [support@dcsappliances.com](mailto:support@dcsappliances.com)

ou par courrier :  
Fisher & Paykel Appliances, Inc.  
Attention: DCS Customer Care  
5900 Skylab Road  
Huntington Beach, CA 92647

[www.dcsappliances.com](http://www.dcsappliances.com)



## **AVERTISSEMENT**

**POUR RÉDUIRE LES RISQUES DE FEU DE GRAISSE SUR LA CUISINIÈRE :** Ne laissez jamais les plaques de cuisson sur réglage élevé sans surveillance. L'ébullition peut provoquer des débordements graisseux pleins de fumée pouvant prendre feu. Chauffez l'huile lentement, à feu doux ou moyen. Allumez toujours la hotte lorsque vous cuisinez à feu vif ou avec des aliments flambants. Nettoyez les ventilateurs fréquemment. Ne laissez pas s'accumuler la graisse sur les ventilateurs ou les filtres. Utilisez toujours des récipients de taille appropriée aux dimensions des plaques de cuisson.



## **AVERTISSEMENT**

**POUR RÉDUIRE LES RISQUES DE BLESSURES EN CAS DE FEU DE GRAISSE SUR LA CUISINIÈRE, RESPECTEZ LES CONSIGNES SUIVANTES :** ÉTOUFFEZ LES FLAMMES à l'aide d'un couvercle assez grand, d'une plaque à biscuits ou d'un plateau métallique, puis éteignez le brûleur. ÉVITEZ DE VOUS BRÛLER. Si les flammes ne s'éteignent pas immédiatement, ÉVACUEZ LES LIEUX ET APPELEZ LES POMPIERS. NE SOULEVEZ JAMAIS UN RÉCIPIENT EN FEU – Vous pourriez vous brûler. N'UTILISEZ PAS D'EAU, y compris des serviettes mouillées – une explosion de vapeur violente pourrait en résulter. Utilisez un extincteur SEULEMENT si :

1. Vous êtes sûr qu'il s'agit d'un extincteur de classe ABC et savez comment le faire fonctionner.
2. Le feu est petit et limité à la zone où il s'est déclenché.
3. Le service des pompiers a été appelé.
4. Vous pouvez combattre l'incendie le dos tourné vers une sortie.

**VEUILLEZ CONSERVER CE MANUEL À TITRE DE RÉFÉRENCE.**

# TABLE DES MATIERES

---

MESURES DE SECURITE ET DE PRECAUTION .....	3
UTILISATION ET ENTRETIEN.....	4
SCHEMA DE CABLAGE .....	5
POUR L'OBTENTION DE SERVICE.....	6
GARANTIE.....	7-9

# MESURES DE SECURITE ET DE PRECAUTION



## **AVERTISSEMENT :**

**TOUTES LES OUVERTURES MURALES ET DE PLANCHER OÙ EST INSTALLÉE LA HOTTE DOIVENT ÊTRE FERMÉES.**

Consultez les instructions de montage de la table de cuisson ou de la cuisinière fournies par le fabricant avant d'effectuer les découpes. INSTALLATION DANS UNE MAISON MOBILE – L'installation de cette hotte doit respecter les normes Manufactured Home Construction and Safety Standards, Titre 24 CFR, Section 3280 (ancienne appellation : Federal Standard for Mobile Home Construction and Safety, Titre 24, HUD, Section 280). Une alimentation à quatre fils doit être utilisée et le câblage de l'appareil doit être révisé. Voir Exigences électriques.

- Le système de ventilation DOIT aboutir à l'extérieur de la maison.
- NE FAITES PAS aboutir le système de conduits dans un grenier ou autre espace clos.
- N'UTILISEZ PAS de chapeaux de mur de 4 po.
- Les conduits flexibles ne sont pas recommandés.
- N'OBSTRUEZ PAS le flot de l'air de combustion et de ventilation.
- Le non-respect des exigences de ventilation peut causer un incendie.
- Une mise à la terre électrique est requise pour cette hotte.
- N'UTILISEZ PAS le tuyau d'eau froid comme prise de terre s'il est interrompu par des joints non métalliques en plastique ou d'autres matériaux.
- N'UTILISEZ PAS le tuyau de gaz comme prise de terre.
- NE PLACEZ PAS de fusible dans le circuit neutre ou de terre : cela pourrait provoquer une électrocution.
- Consultez un électricien qualifié si vous avez des doutes concernant la mise à la terre de la hotte.
- Le non-respect des exigences électriques peut causer un incendie.



## **AVERTISSEMENT :**

**POUR RÉDUIRE LES RISQUES D'INCENDIE, D'ÉLECTROCUTION OU DE BLESSURES, RESPECTEZ LES CONSIGNES SUIVANTES :**

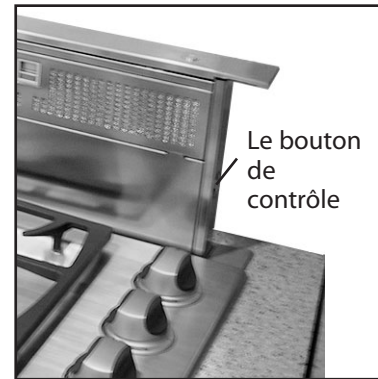
Utilisez l'appareil strictement selon les consignes du fabricant et communiquez avec celui-ci si vous avez des questions. Avant tout entretien ou nettoyage, coupez le courant au niveau du panneau de service et verrouillez le dispositif de sectionnement pour éviter une mise sous tension accidentelle. S'il ne peut être verrouillé, fixez solidement un avertissement clairement visible (une étiquette, p. ex.) au panneau de service. L'installation et le câblage électrique doivent être effectués par des personnes qualifiées conformément aux codes et normes en vigueur, y compris les constructions classées résistant au feu. Pour éviter le refoulement d'air, une quantité d'air suffisante est nécessaire pour assurer une bonne combustion et l'évacuation des gaz à travers le carneau (cheminée) de l'appareil à gaz. Suivez les consignes du fabricant de l'appareil de cuisson ainsi que les normes de sécurité comme celles publiées par la National Fire Protection Association (NFPA) et la American Society for Heating, Refrigeration and Air Conditioning Engineers (ASHRAE), ainsi que les normes locales. Lorsque vous découpez ou percez les murs ou le plafond, évitez d'endommager le câblage électrique et autres installations des services publics pouvant être dissimulées. Les conduits des ventilateurs doivent toujours être évacués vers l'extérieur.

# ENTRETIEN ET UTILISATION

Ce système d'aération est conçu pour évacuer la fumée, les vapeurs de cuisson et les odeurs provenant de la table de cuisson. L'appareil est doté de plusieurs fonctions assurant la sécurité de l'opérateur.

## POUR FAIRE FONCTIONNER LA HOTTE

Enfoncez le bouton Haut/Bas sur le haut de la hotte pour soulever le plénum tel qu'indiqué. Le bouton de contrôle de vitesse est situé à droite du plénum. **Appuyez** sur le bouton Haut/Bas pour abaisser l'appareil. Vous devez l'enfoncer momentanément pour soulever ou abaisser le plénum. Il s'agit d'un dispositif de sécurité contre une activation accidentelle durant le nettoyage du plénum. Pour de meilleurs résultats, allumez la hotte avant la cuisson et laissez-la en marche pendant plusieurs minutes après la cuisson pour évacuer toute la fumée et les odeurs de la cuisine. Si vous utilisez de grandes casseroles, placez-les sur le brûleur arrière pour garantir une bonne ventilation. Il peut être nécessaire d'augmenter le niveau du ventilateur.



## NETTOYAGE

Les filtres à graisses métalliques doivent être nettoyés fréquemment dans une solution détergente chaude ou dans le lave-vaisselle. Le plénum et la bande supérieure doivent être nettoyés avec un produit nettoyant en acier inoxydable. Les produits abrasifs et les substances à récuser peuvent érafler la finition en acier inoxydable et doivent donc être évités.

## UTILISATION AVEC DES TABLES DE CUISSON A GAZ

La hotte à évacuation à tirage par le bas de DCS est conçue pour être utilisée en toute sécurité avec des tables de cuisson à gaz et ne risque pas d'éteindre les brûleurs ou les veilleuses. Le ventilateur ne fonctionne pas tant que le plénum n'a pas atteint pleinement sa position relevée. De plus, il s'arrête dès que l'on appuie sur le bouton Haut/Bas pour abaisser l'appareil.



### **AVERTISSEMENT:**

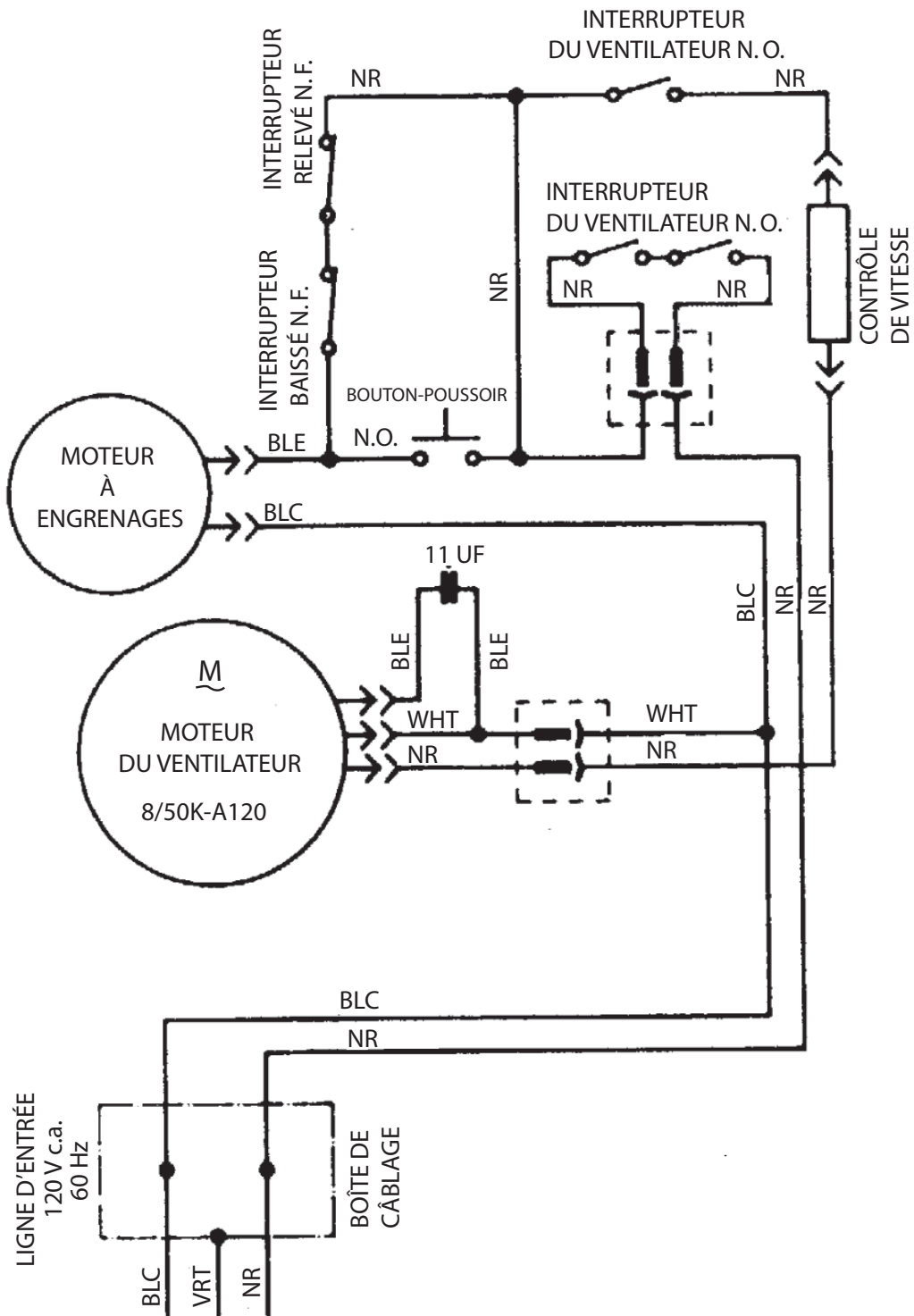
*Si un déversement se produit sur la table de cuisson et que des liquides risquent de s'infiltrer à l'intérieur de la hotte, éteignez celle-ci immédiatement car elle pourrait être endommagée par une infiltration d'eau alors qu'elle est en marche.*

- Éteignez tout de suite la hotte au moyen du bouton de contrôle de vitesse situé à droite de la hotte.
- Coupez le courant au niveau des disjoncteurs ou de la boîte de fusibles.
- Laissez la hotte sécher tranquillement. Ne l'ouvrez pas pour évacuer l'eau. Le fait d'ignorer ces avertissements peut endommager la hotte.

## MICROCONTACTS DE SECURITE

Cette hotte à évacuation à tirage par le bas est dotée de microcontacts de sécurité derrière le centre de chaque filtre à graisses. Ces microcontacts empêchent le mécanisme de soulèvement du ventilateur et du plénum de fonctionner lorsqu'un des filtres est enlevé. Il est très important de s'assurer que les filtres à graisses sont correctement et fermement mis après chaque nettoyage. Si l'appareil ne fonctionne pas après le remplacement des filtres, assurez-vous que ceux-ci sont bien installés et qu'ils sont bien en contact avec les microcontacts de sécurité.

# WIRING DIAGRAM



# SERVICE

---

## POUR L'OBTENTION DE SERVICE :

Avant d'appeler le service technique :

- 1) Est-ce que le disjoncteur s'est déclenché ou que le fusible est grillé ?
- 2) Y a-t-il une coupure de courant dans le secteur ?
- 3) Les filtres à graisses sont-ils correctement installés ?
- 4) L'appareil se déplacera-t-il vers le haut/bas alors que la commande de moteur est activée?

Pour le service sous garantie, contactez le centre DCS agréé le plus proche au (888) 281-5698. Avant d'appeler, veuillez avoir les informations suivantes à portée de main :

- Numéro de modèle
- Numéro de série
- Date d'installation
- Brève description du problème

Votre satisfaction revêt la plus haute importance pour nous. Si un problème n'est pas résolu à votre entière satisfaction, veuillez communiquer avec nous :

Correspondre par courrier à l'adresse suivante :

Fisher & Paykel Appliances, Inc.  
Attention: DCS Customer Care  
5900 Skylab Road  
Huntington Beach, CA 92647



## **GARANTIE LIMITEE**

Lors de l'achat d'un appareil de ventilation neuf DCS pour usage personnel ou non commercial, vous bénéficiez automatiquement d'une garantie limitée d'un an couvrant les pièces et la main d'œuvre pour l'intégralité du produit, et d'une garantie limitée de cinq ans sur les interrupteurs et le moteur (pièces seulement) valide dans les 48 états continentaux des États-Unis, ainsi que Hawaï, Washington D.C. et le Canada. La garantie limitée est la même en Alaska sauf que vous devez payer les frais d'expédition du produit à un centre de service ou les frais de déplacement d'un technicien dans le cas d'une visite à domicile. Les produits destinés à une utilisation au Canada doivent être achetés auprès d'un distributeur canadien afin de respecter la réglementation en vigueur.

Si le produit est installé dans un véhicule ou bateau à moteur, ou une installation mobile similaire, vous bénéficiez de la même garantie limitée d'un an, mais vous devrez acheminer à vos frais ledit véhicule, bateau ou installation mobile contenant le produit jusqu'au centre de service ou payer les frais de déplacement du technicien jusqu'à l'emplacement où se trouve le produit.

## **FISHER & PAYKEL S'ENGAGE A :**

entreprendre à ses frais (pièces et main-d'oeuvre) toutes réparations du produit (sur lequel figure le numéro de série) jugé défectueux. En Alaska, vous devez payer les frais d'expédition du produit à un centre de service ou les frais de déplacement d'un technicien dans le cas d'une visite à domicile. Si le produit est installé dans un véhicule ou bateau à moteur, ou une installation mobile similaire, vous devez l'acheminer à vos frais jusqu'au centre de service ou payer les frais de déplacement du technicien jusqu'à l'emplacement où se trouve le produit. Si nous sommes dans l'incapacité de réparer une pièce défectueuse du produit après un nombre raisonnable de tentatives, nous pourrions, à notre choix, remplacer la pièce ou le produit, ou vous rembourser entièrement le prix d'achat du produit (à l'exclusion des frais d'installation ou autres frais.)

Cette garantie s'applique à l'acheteur initial et à tous les propriétaires successifs du produit dans la mesure où il s'agit d'un produit acheté pour une utilisation à domicile normale. Tout service couvert par cette garantie limitée sera assuré par Fisher & Paykel ou son agent de service DCS agréé durant les heures d'ouverture normales.

## **QUELLE EST DUREE DE CETTE GARANTIE LIMITEE?**

Notre responsabilité en vertu de cette garantie limitée concernant l'intégralité du produit expire UN AN à partir de la date d'achat du produit par le premier acheteur. Notre responsabilité en vertu de cette garantie limitée concernant les interrupteurs et le moteur (pièces seulement) expire CINQ ANS à partir de la date d'achat du produit par le premier acheteur.

Notre responsabilité en vertu de toute garantie implicite, y compris la garantie implicite de qualité marchande (la garantie tacite selon laquelle le produit est approprié pour un usage normal) expire également UN AN (ou une période plus longue si requis par la loi) à partir de la date d'achat du produit par le premier acheteur. Certaines juridictions ne permettent pas la limitation de la garantie implicite, il est donc possible que la limitation ci-dessus sur les garanties implicites ne s'applique pas à vous.

## **NE SONT PAS COUVERTS PAR LA GARANTIE :**

A. Les appels de service n'ayant aucun rapport avec un défaut éventuel du produit. Le coût de l'appel de service sera facturé s'il se trouve que le problème n'est pas dû à un défaut du produit. Par exemple :

1. Corriger une mauvaise installation du produit.
2. Montrer comment utiliser le produit.

# GARANTIE

---

3. Remplacer des fusibles du domicile, réarmer les disjoncteurs, réparer les fils électriques ou la plomberie du domicile, ou remplacer des ampoules.
  4. Corriger des anomalies causées par l'utilisateur.
  5. Changer la configuration du produit.
  6. Modifications non autorisées du produit.
  7. Bruits ou vibrations considérés comme normaux, par exemple les bruits de drain ou de ventilateur, les bruits de régénération (vibrations, sifflements) ou les signaux d'avertissement à l'intention de l'utilisateur.
  8. Corriger des dommages causés par des animaux nuisibles, par exemple des rats, des coquerelles, etc.
- B. Défauts causés par des facteurs autres que :
1. Utilisation domestique normale ou
  2. Utilisation conformément aux indications du guide de l'utilisateur.
- C. Défauts du produit pour cause d'accident, négligence, mauvaise utilisation, incendie, inondation ou calamité naturelle.
- D. Les coûts des réparations effectuées par des techniciens non autorisés ou le coût de correction de ces réparations non autorisées.
- E. Les frais de voyage et les frais connexes encourus lorsque le produit est installé dans un lieu à accès illimité ou restreint (déplacement par avion ou par bateau, régions géographiques isolées, etc.).
- F. Entretien normal recommandé par le guide l'utilisateur.

Contactez votre distributeur ou votre installateur en cas de problème d'installation. Il vous incombe d'assurer une installation électrique, une ventilation et toute autre connexion appropriées. Nous ne sommes pas responsables des dommages indirects ou accessoires (coût de réparation ou de remplacement d'autres biens endommagés parce que le produit était défectueux ou tout autre coût que vous auriez encouru parce que le produit était défectueux). Certaines juridictions interdisent l'exclusion ou la restriction de la responsabilité des dommages indirects ou accessoires; l'exclusion ou la restriction indiquée ci-dessus peut donc ne pas s'appliquer à votre cas particulier.

## POUR OBTENIR DES REPARATIONS

Veillez consulter le guide de l'utilisateur. Si vous avez des questions concernant l'utilisation du produit, que vous cherchez le nom de l'agent de service DCS agréé local ou que pensez que le produit est défectueux et désirez le faire réparer dans le cadre de cette garantie limitée, veuillez contacter votre distributeur ou nous appeler au numéro suivant :

(NUMÉRO SANS FRAIS) 1-888-281 5698 ou contactez-nous par l'intermédiaire de notre site Web : [www.dcsappliances.com](http://www.dcsappliances.com).

Vous devrez peut-être présenter une preuve raisonnable de la date d'achat du produit avant de pouvoir bénéficier d'une réparation dans le cadre de cette garantie limitée.

## UTILISATION COMMERCIALE

Cette garantie s'applique à des appareils électroménagers utilisés à domicile; elle ne couvre pas les cas d'utilisation commerciale.

## AUCUNE AUTRE GARANTIE

Cette garantie limitée constitue l'accord entier et exclusif entre vous et Fisher & Paykel en ce qui concerne tout défaut du produit. Aucun de nos employés (ou agents de service agréés) n'est autorisé à apporter des ajouts ou des modifications à cette garantie limitée.

Garant : Fisher & Paykel Appliances, Inc.

Si vous avez besoin d'aide au sujet de cette garantie illimitée, veuillez nous appeler au numéro ci-dessus ou nous écrire à l'adresse suivante :

Fisher & Paykel Appliances, Inc.  
5900 Skylab Road, Huntington Beach, CA 92647  
États-Unis

Cette garantie limitée vous donne des droits juridiques spécifiques et vous pouvez bénéficier d'autres droits qui varient d'une juridiction à l'autre.

# NOTES

---





*A Fisher & Paykel Appliances, Inc. Company*

Fisher & Paykel Appliances, Inc.  
5900 Skylab Road, Huntington Beach, CA 92647  
Customer Care: 888.281.5698  
Fax: 714.372.7003  
[www.dcsappliances.com](http://www.dcsappliances.com)

As product improvement is an ongoing process at DCS, we reserve the right to change specifications or design without notice.

DCS améliore constamment ses produits et se réserve le droit de modifier les spécifications ou la conception de ses produits sans aucun préavis.

Part No. 17385 Rev. C  
Litho in USA 02/2005