

Warming Drawer



WDT-30-SS 30" Warming Drawer (as shown)

Often when you're cooking, you need many dishes warm at the same time. This simple fact seems to have escaped the notice of our competitors. At DCS, our warming drawers include a removable shelf. That means enough space for up to 6 standard-size dinner plates. Available in 30" and fully integrated models.

ADDITIONAL FEATURES:

- Temperature range 90° - 250°
- Proofing bread capable
- 500 watts
- 1.6 cubic feet of space
- Proof setting
- Moist and crisp settings

Single Wall Oven, Microwave, and Warming Drawer



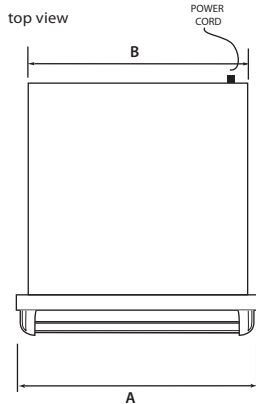
MO-24-SS 24" Stainless Steel Microwave Oven and
MOTTK-30 30" Microwave Trim Kit
WOU-130 30" Single Wall Oven
WDT-30-SS 30" Warming Drawer

A Single Wall Oven with Microwave and Warming Drawer is a sensible combination when space is at a premium. Enjoy the same great features of a DCS wall oven with the flexibility and convenience of a built in convection or traditional microwave. Wall ovens and stainless steel microwave trim kits available in 30" models.

ADDITIONAL FEATURES:

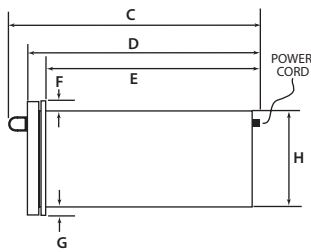
- Temperature probe for perfect meat
- 4.3 cubic feet of useable space per oven cavity in 30" models
- 2.0 cubic feet of microwave space (traditional microwave)
- True convection baking and broiling (oven)
- Electronic sensor touch controls

Warming Drawer Dimensions:

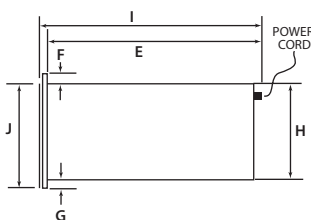


- A) 29-11/16"
- B) 25-3/16"
- C) 28-3/16"
- D) 25-1/16"
- E) 23-1/2"
- F) 1/2"
- G) 1/4"
- H) 9-3/4"
- I) 24-1/8"
- J) 8-5/16"
- K) 10±1/16"
- L) 25-3/4± 1/16"
- M) ≥ 24"

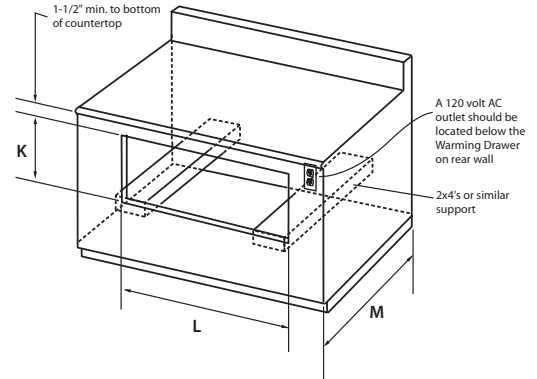
side view (WDT)



side view (WDTI)



Cutout Dimensions:



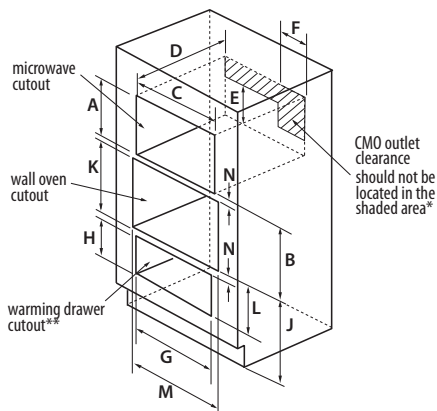
Warming Drawer	30"	Integrated
MODEL NUMBER	WDT-30	WDTI
POWER OUTPUT	500 WATTS	500 WATTS
DRAWER SPACE	1.6 CU FT	1.6 CU FT
TEMPERATURE RANGE (PROOF)	90°-110°	90°-110°
TEMPERATURE RANGE (LOW)	140°-170°	140°-170°
TEMPERATURE RANGE (MEDIUM)	170°-200°	170°-200°
TEMPERATURE RANGE (HIGH)	200°-250°	200°-250°
# OF DINNER PLATES (11")	6	6

Power Requirements:

- > 120V 60Hz
- > 3 wire
- > 15 amp circuit

Note: Because of continuing product improvement these specifications are subject to change without notice.

Single Wall Oven, Microwave, and Warming Drawer Cutout:



- A) 17" (+1/16, -0) (MO)
19-3/16 (+1/16, -0) (CMO)
- B) 29-3/16" (min.)
- C) 24-3/4" (+1/16, -0) (MO)
25-3/4" (+1/16, -0) (CMO)
- D) 20" min.
- E) 4" (MO)
15-3/8" (CMO)
- F) 6" (MO)
6-7/8" (CMO)
- G) 25-5/16" (WDT)
25-5/16" (WDTI)
- H) 10" (WDT)
10" (WDTI)
- J) 18-3/4"
- K) 26-13/16" (+ 1/16, -0)
- L) 11-3/8" (WDT)
11-3/8" (WDTI)
- M) 28-1/2"
- N) 1"

For built-in installation of a microwave, a built-in trim kit is required (MOTTK30 or CMOTTK30).

* If the dimension of DEPTH (D) is more than 21", the outlet location may be located in any area on the rear wall.

** The floor of the opening should be constructed of plywood strong enough to support the weight of the oven (or use 2 x4 constructions-see warming drawer cutout dimensions above).