

# WARMING DRAWER

WDS-30 | WDS-27 | WDI

30" Warming Drawer (as shown) | WDS-30



**PROFESSIONAL CHEFS DEMAND PERFORMANCE WHEN THEY COOK. SO SHOULD YOU. BECAUSE DCS IS THE ONLY MAJOR MANUFACTURER TO CRAFT BOTH COMMERCIAL AND RESIDENTIAL COOKING EQUIPMENT, WE HAVE A UNIQUE EXPERIENCE IN CREATING PRODUCTS WITH EXCEPTIONAL PERFORMANCE.**

**OUR TIRELESS PURSUIT OF PROFESSIONAL PERFORMANCE HAS LEAD TO SEVERAL UNIQUE FEATURES, MANY OF WHICH YOU WILL NOT FIND ON OTHER RESIDENTIAL COOKING EQUIPMENT.**

Often when you're cooking you need many dishes warm at the same time. This simple fact seems to have escaped the notice of our competitors. At DCS, our warming drawers include a removable shelf. That means enough space for up to 6 standard-size dinner plates. Available in 27", 30" and fully integrated models.

At DCS we couple power with precision to attain your most essential cooking ingredient: PERFECT HEAT.



PERFECT HEAT.

## Features:

MODEL NUMBER	WDS-30	WDS-27	WDI
POWER OUTPUT	500 watts	500 watts	500 watts
DRAWER SPACE	1.6 cubic feet	1.6 cubic feet	1.6 cubic feet
TEMPERATURE RANGE (PROOFING)	90°-110°	90°-110°	90°-110°
TEMPERATURE RANGE (LOW)	140°-170°	140°-170°	140°-170°
TEMPERATURE RANGE (MEDIUM)	170°-200°	170°-200°	170°-200°
TEMPERATURE RANGE (HIGH)	200°-230°	200°-230°	200°-230°
# OF DINNER PLATES	6	6	6

## Power Requirements:

- ▶ 120V 60Hz
- ▶ 3 wire
- ▶ 15 amp circuit

## Available Colors:

- ▶ Stainless Steel
- ▶ Black
- ▶ White

## Handle / Trim Option:

- ▶ Warming drawers ship standard with Euro style handle. Pro style handle also available.

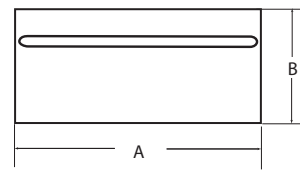
Pro style handle available in stainless steel or brass.

## Warranty

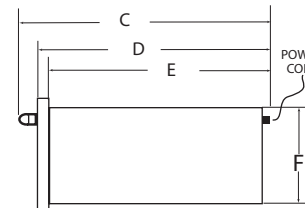
All Warming Drawers are covered by a one (1) year comprehensive parts and labor warranty. In addition, a five (5) year limited parts warranty covers specific parts that vary by model. Please see the product Use and Care Manual for the specified parts covered under this warranty. A lifetime warranty covers all stainless steel components against manufacture related defects. This excludes discoloration or surface corrosion resulting from improper use and care. Please refer to product Use and Care Manual for proper care and maintenance.

## Product Dimensions:

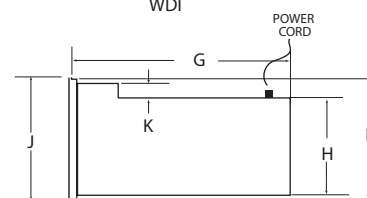
### WARMING DRAWER DIMENSIONS (FRONT VIEW)



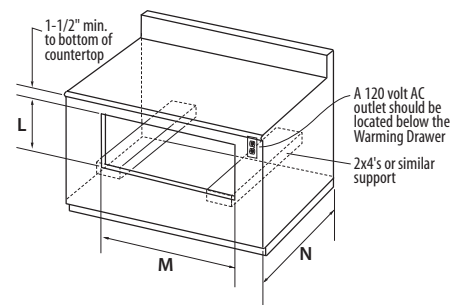
### WDS-27 & WDS-30 DIMENSIONS (SIDE VIEW)



- A) 26-7/8" (WDS-27)  
29-7/8" (WDS-30)
- B) 10-1/4" (CMO)
- C) 28-3/16"
- D) 25-1/16"
- E) 23-7/8"
- F) 9-7/8"
- G) 24"
- H) 9-7/8"
- J) 11-1/4"
- J) 11-7/8"
- K) 1"



## Cabinet Preparation:



- L) 9-7/8" (WDS)  
11-1/4" (WDI)
- M) 25-1/16" (WDS)  
26-1/8" (WDI)
- N) 24"

### CUTOUT DIMENSIONS



PERFECT HEAT.

For more information on our complete line of residential kitchen appliances or to find out more about our outdoor product line, please call 1.800.433.8466 or visit [www.dcsappliances.com](http://www.dcsappliances.com)

©2004 DCS 5800 Skylab Road, Huntington Beach, CA 92647

P/N 17650 REV. A 04/04



Because of continuing product improvement these specifications are subject to change without notice.