



PROFESSIONAL DROP-IN COOKTOPS

- 36" – 5 BURNER COOKTOP
- 30" – 4 BURNER COOKTOP

Installation Manual

MODELS:

CT-365SS (shown)
CT-365BK
CT-365WT

CT-304SS
CT-304BK
CT-304WT



A MESSAGE TO OUR CUSTOMERS

Thank you for selecting this DCS Professional Drop-In Cooktop. Because of this appliance's unique features we have developed this Installation Manual. It contains valuable information on how to install your new appliance for years of safe and enjoyable cooking.

For your convenience, product questions can be answered by a DCS Customer Care Representative by phone: 1-888-281-5698, by email: support@dcsappliances.com,

or by mail:

*Fisher & Paykel Appliances, Inc.
Attention: DCS Customer Care
5900 Skylab Road
Huntington Beach, CA 92647*

www.dcsappliances.com

 **WARNING**

Improper installation, adjustment alteration, service or maintenance can cause property damage, injury or death. Read the installation, operating and maintenance instructions thoroughly before use, installing or servicing this equipment.

 **WARNING**

Do Not store or use gasoline or any other flammable vapors and liquids in the vicinity of this or any other appliance.

FOR YOUR SAFETY

IF YOU SMELL GAS:

- 1. Do not turn on any electrical switch; do not use any phone in your building.*
- 2. Immediately call your gas supplier from a neighbor's phone. Follow the gas supplier's instructions.*
- 3. If you cannot reach your gas supplier, call the fire department. Installation and service must be performed by a qualified installer, service agency or the gas supplier.*

PLEASE RETAIN THIS MANUAL FOR FUTURE REFERENCE.

TABLE OF CONTENTS

SAFETY PRACTICES AND PRECAUTIONS	3-5
PROPER VENTILATION REQUIREMENTS	6
INSTALLATION INSTRUCTIONS	7-10
Preparing for the Installation	7
Cabinet Preparation	8
Gas Hook Up	9
Power Requirements	10
Recommended Grounding Method	10
INSTALLER FINAL CHECKLIST	11
PRODUCT MEASUREMENT SPECIFICATIONS	12
WIRING DIAGRAM	13-14
SERVICE	15
WARRANTY	16-17

SAFETY PRACTICES & PRECAUTIONS

When properly cared for, your new DCS Appliance has been designed to be a safe, reliable cooking appliance. When using this restaurant caliber appliance, use it with extreme care, as this type appliance provides intense heat and can increase the accident potential. Basic safety precautions must be followed when using kitchen appliances, including the following:

- Read the Use and Care Manual thoroughly **before** using your new appliance. This will help to reduce the risk of fire, electric shock, or injury to persons.
- Begin by insuring proper installation and servicing. Follow this installation instructions. Be sure to have a qualified technician install and ground this appliance before using.
- Have the installer show you where the gas supply shut-off valve is located so you will know how and where to turn off the gas to the appliance.
- If you smell gas, the installer has not done a proper job of checking for leaks. You can have a small leak and therefore a faint gas smell if the connections are not completely sealed. Finding a gas leak is not a “do-it-yourself” procedure. Some leaks can only be found with the burner control in the ON position and for your protection it must be done by a qualified service technician.
- If by some chance a burner goes out and does not re-ignite and gas escapes, open a window or a door to let the room air out. Do not attempt to use the appliance until the gas has had time to dissipate.
- This appliance has been factory assembled for **Natural Gas or Liquid Propane** as indicated by model number.
- Do not repair or replace any part of this appliance unless it is specifically recommended in this manual. All other servicing should be referred to a qualified service technician.

 **WARNING:**

CHILDREN SHOULD NOT BE LEFT ALONE or unattended in an area where appliances are in use. They should never be allowed to turn knobs, push buttons, sit or stand on any part of an appliance.

 **WARNING:**

Do not store items of interest to children on or around the Drop-In Cooktop. Children could be seriously injured if they should climb onto or reach across the appliance to reach these items.

- **Never store anything on the cooktop.** Flammable materials can accidentally catch fire, plastic items may melt or ignite and other types of items could be ruined.
- Do not hang articles from any part of the appliance. Some fabrics are quite flammable and may catch on fire.
- If the appliance is near a window be certain the curtains do not blow over or near the cooktop burners; they could catch on fire.
- Never let clothing, pot holders, or other flammable materials come in contact with, or too close to any burner or burner grate until it has cooled. Fabric may ignite and result in personal injury.

SAFETY PRACTICES & PRECAUTIONS

- Be certain to use only dry pot holders; moist or damp pot holders on hot surfaces may cause burn injury from steam. Do not use a towel or other bulky cloth in place of pot holders. Do not let pot holders touch hot burners, or burner grates.
- For personal safety, wear proper apparel. Loose fitting garments or hanging sleeves should never be worn while using this appliance. Some synthetic fabrics are highly flammable and should not be worn while cooking.
- Do not use aluminum foil to line any part of the cooktop. Using a foil liner could result in a fire hazard.



WARNING:

This appliance is for cooking. Based on safety considerations, never use the cooktop to warm or heat a room.



WARNING:

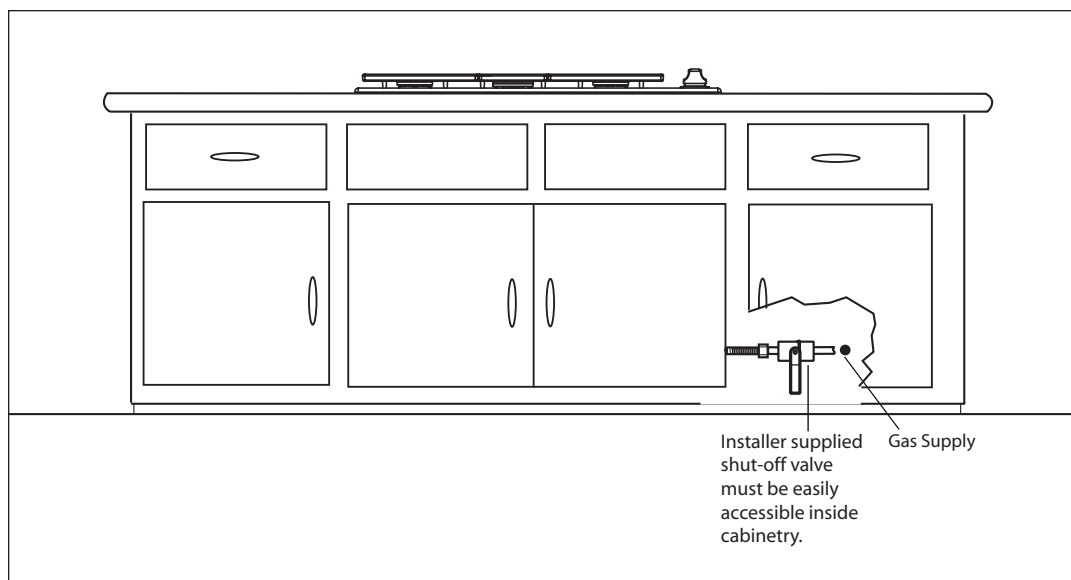
When using the cooktop: Do not touch the burner grates or the immediate surrounding area. Areas adjacent to the burners may become hot enough to cause burns.

- **Never leave the cooktop unattended when using high flame settings.** A possible boil over could cause smoking or greasy spill overs may ignite. More importantly, if the burner flames are smothered by a severe boil over which effects the igniter, **the unburned gas will escape into the room, which would be extremely dangerous.**
- Only certain types of glass, heat-proof glass-ceramic, ceramic, earthen ware, or other glazed utensils are suitable for use on the open flame of the cooktop. Utensils that are not thermally heat safe may break with sudden temperature changes.
- Do not heat unopened food containers; a build up of pressure may cause the container to burst.
- During cooking, set the burner control so that the flame heats at the bottom of the pan and does not curl around the bottom edges of the pan. This could heat and/or melt the handles.
- Always use utensils that have flat bottoms large enough to cover the burner. The use of undersized utensils will expose a portion of the flame to direct contact and may result in ignition of clothing.
- To minimize burns, ignition of flammable materials and accidental spill overs, position handles of utensils inward so they do not extend over adjacent work areas, cooking areas, or the outside edges of the cooktop.
- Hold the handle of the pan to prevent movement of the utensil when stirring or turning food.
- **Grease is flammable.** Do not use water on grease fires. Turn OFF the burner, then smother the fire with baking soda or use a dry chemical or foam-type fire extinguisher. Let hot grease cool before attempting to handle it. Avoid letting grease deposits collect around the base of the cooktop burners. Clean after each use or boil over.
- Use splatter screens over pans when frying foods to minimize possible grease burns. Be sure not to use a flame that is too high.
- For proper lighting and performance of the cooktop burners, keep the burner ports clean. It may be necessary to clean these when there is a boil over or when the burner does not light, even though the electronic igniters click.
- Clean the cooktop with caution. Avoid steam burns; do not use a wet sponge or cloth to clean the cooktop while it is hot. Some cleaners produce noxious fumes if applied to a hot surface. Follow directions provided by the cleaner manufacturer.

SAFETY PRACTICES & PRECAUTIONS

- Be sure all the cooktop controls are turned off and the appliance is cool before using any type of aerosol cleaner on or around the appliance. The chemical that produces the spraying action could, in the presence of heat, ignite or cause metal parts to corrode.
- Clean the ventilator hood and filters above the cooktop frequently so grease from cooking vapor does not accumulate.
- Turn the ventilator OFF in case of fire. The blower, if in operation, could unsafely spread the flames.
- Do not obstruct the flow of combustion or ventilation air to the appliance. Be sure a fresh air supply is available.
- For safety reasons and to avoid damage to the appliance never sit, stand, or lean on any part of the appliance.
- Service should only be done by authorized technicians. Service technicians must disconnect the power supply before servicing this appliance.
- California Proposition 65 - Warning: The burning of gas cooking fuel generates some by-products which are known by the State of California to cause cancer or reproductive harm. California law requires businesses to warn customers of potential exposure to such substances. To minimize exposure to these substances, always operate this unit according to the instructions contained in this booklet and provide good ventilation to the room when cooking with gas.

NOTE: *This product must be installed by a licensed plumber or gas fitter when installed within the Commonwealth of Massachusetts.*



PROPER VENTILATION REQUIREMENTS

IMPORTANT INFORMATION:

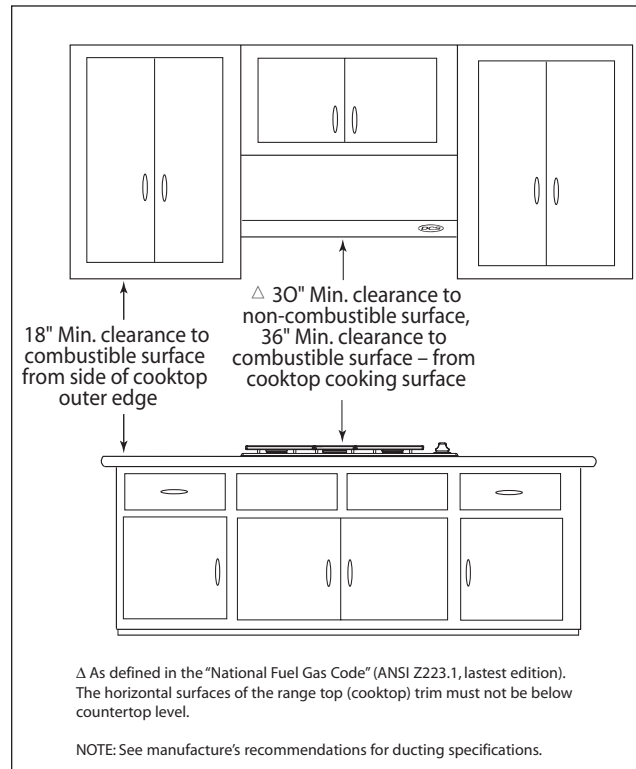
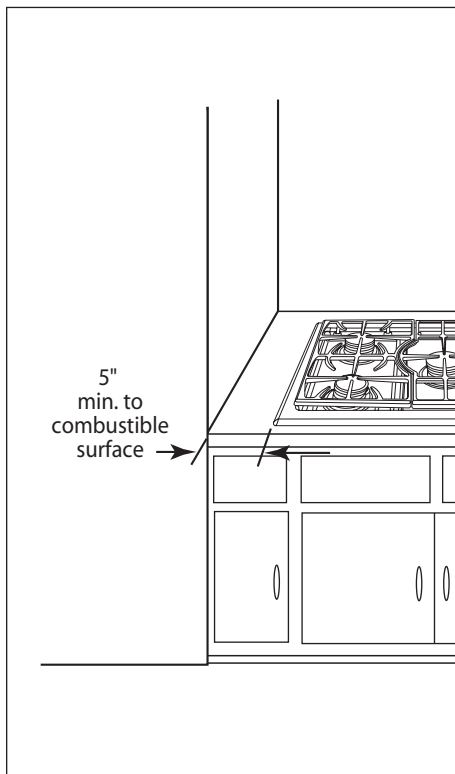
CAUTION:

Ventilation hoods and blowers are designed for use with single wall ducting. However, some local building codes or inspectors may require double wall ducting. Consult local building codes and/or local agencies before starting, to ensure that hood and duct installation will meet local requirements. Hood blower speeds should be variable to reduce noise and loss of heated or air conditioned household air when maximum ventilation is not required. For best smoke elimination, the lower edge of the hood should **BE INSTALLED A MINIMUM OF 30" TO A MAXIMUM OF 36" ABOVE THE COOKING SURFACE**. If the hood contains any combustible materials (i.e. a wood covering) it must be a minimum of 36" above the cooking surface. Due to a high volume of ventilation air, a source of outside replacement air is recommended. This is particularly important for tightly sealed and insulated homes. A reputable heating and ventilating contractor should be consulted.

VENTILATION REQUIREMENTS: STANDARD COUNTER INSTALLATION RECOMMENDATIONS

HOOD: (24" Deep x Unit Width)

BLOWER: 30"/36" COOKTOPS
600 CFM min.



INSTALLATION INSTRUCTIONS

PREPARING FOR THE INSTALLATION:

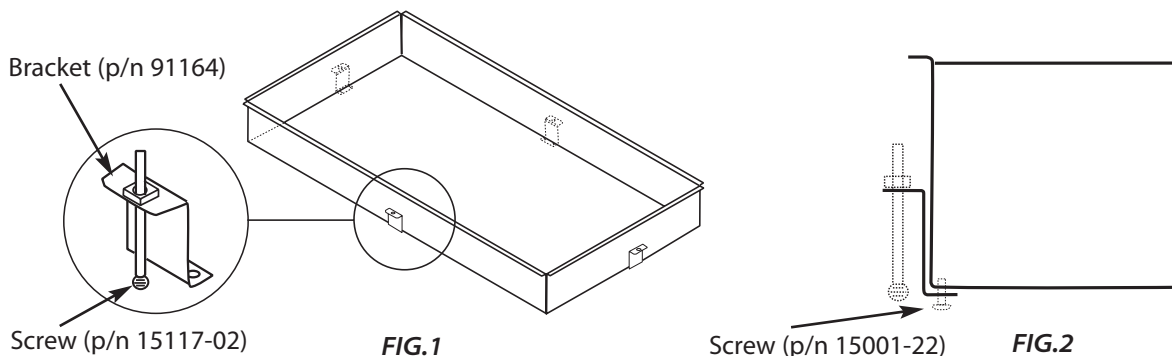
Be sure to read page 6 for the proper ventilation requirements before you begin.

When making your CUTOUT refer to page 8-9 for cabinet preparation.

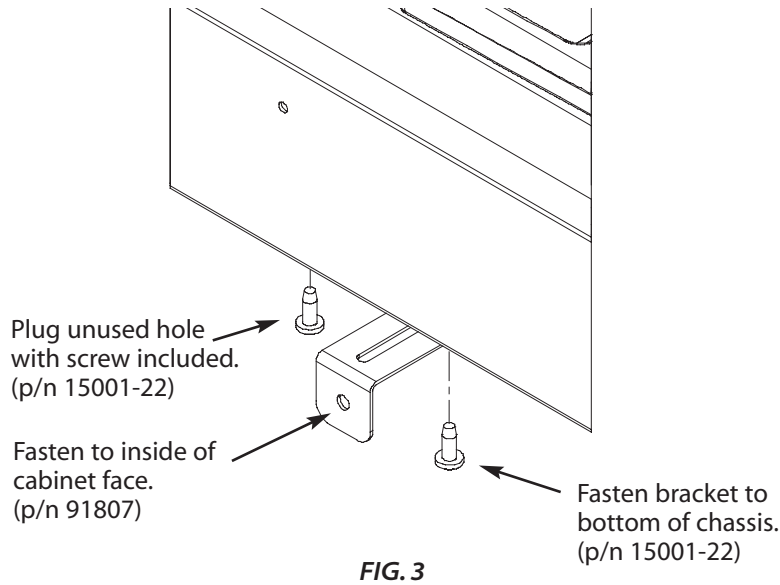
- Step 1: Unpack the unit, the regulator, and remove all packing between all the burners, rings, and caps. Remove the grates from their boxes.
- Step 2: With the necessary tools and hardware ready, measure the distance from the back and sides of the countertop and cabinet to locate the position of the cooktop Cutout.
- Step 3: Make your Cutout according to the dimensions given on page 8 & 9. Square the cutout to the countertop.
- Step 4: Lower the cooktop into the countertop cutout, being careful not to damage the counter, inlet pipe threads, or the power cord of the cooktop.
- Step 5: Square the cooktop to the cutout and install the (4) retaining brackets onto the 8 holes for CT-365 and (2) retaining brackets onto 4 holes for CT-304 located at the bottom of the unit (See Figure 1 below). If hold down brackets are not installed, the cooktop will not pull down to countertop.
- Step 6: Tighten the 4 preloaded thumb screws which will keep the unit secured. Do Not Over-tighten (See Figure 2 detail below).

NOTE: Some installations may not have adequate clearance at the front for the 'Z'-shaped retaining bracket. In those cases, use the 'L'-bracket provided. Fasten the bracket to the bottom of the cooktop chassis using one of the screw holes provided for the retaining brackets. Make sure the bracket extends out far enough to contact the inside of the cabinet face. While pushing down on the front edge of the cooktop from above, attach the bracket to the cabinet. This step will insure that the edge of the cooktop is flush with the counter surface. Plug the adjacent unused hole in the cooktop chassis with a screw. See Figure 3, page 8.

- Step 7: Install the regulator with the arrow in the direction of the gas flow (towards the cooktop) using a sealant on the male pipe threads. Put burner rings and burner caps in place.
- Step 8: Connect the gas line to the unit. Refer to page 9 for gas supply hookup.
- Step 9: Turn ball valve to let the gas flow. Check for gas leak.
- Step 10: Plug the unit into a wall outlet.
- Step 11: Turn the front burner knob on first and apply a match to the burner until the gas lights, being cautious not to burn your hand or other parts of your body. When the gas is first activated, there is air present in the gas lines. The match applied to the burner makes it easier and safer to clear the air/gas mixture. Use Caution to avoid burn injury.
- Step 12: Put grates in place.



INSTALLATION INSTRUCTIONS



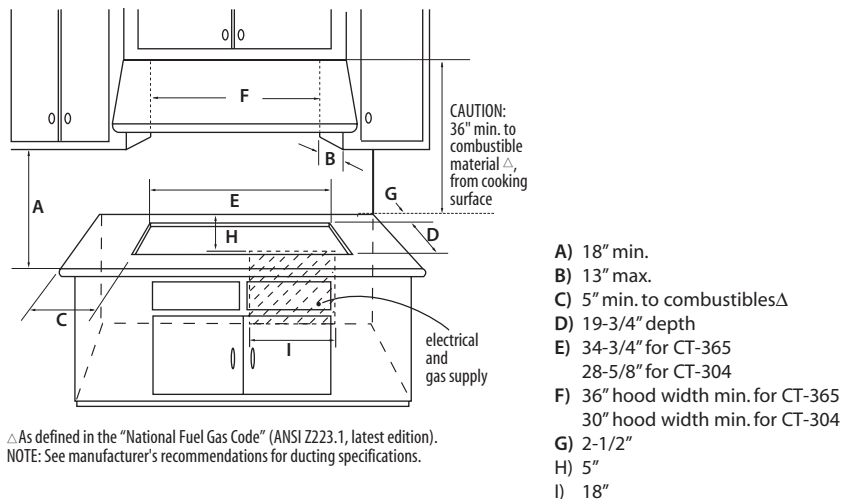
CABINET PREPARATION

The Drop-In Cooktop was designed for easy installation. However, for the best appearance, to conceal the raw cutout edges and to ensure a snug and secure fit, **the cutouts must be precise**. Use the cutout dimension information in the figures below for your installation. When preparing for installation, it is critical that the cabinet cutout matches the cutout dimensions provided for the cooktop for a good fit. See illustrations below for specifications.

- For proper performance, the Drop-In Cooktop must be level. To achieve a flush fit of the cooktop, it will be necessary to have a flat countertop (front to back and left to right).
- Be sure to check local building codes for the proper method of installation. Local codes may vary. Installation, electrical connections, and grounding must comply with all applicable codes.

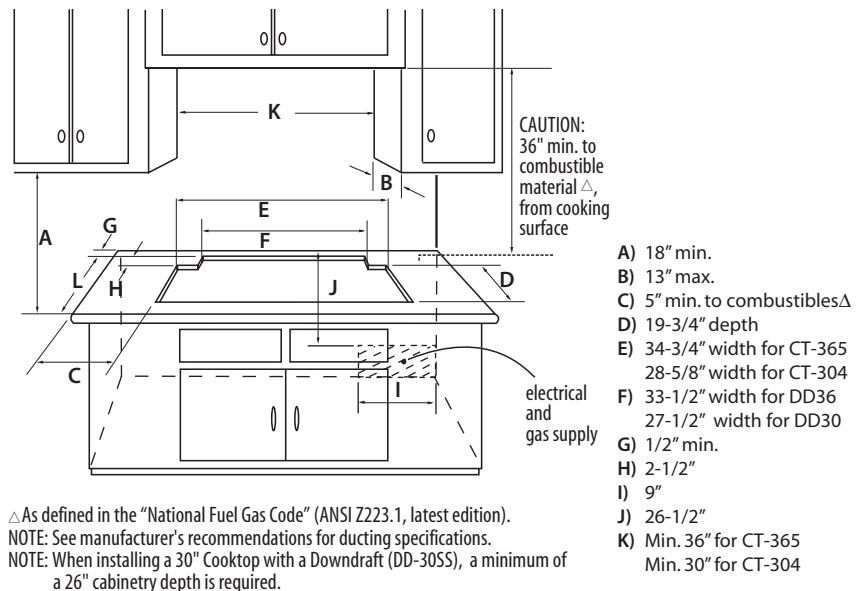
NOTE: The cooktop must be completely removed from cut-out to service. The lower firebox is not supported by the counter.

DROP-IN COOKTOP CUT-OUT DIMENSIONS



INSTALLATION INSTRUCTIONS

DROP-IN COOKTOP CUT-OUT DIMENSIONS (when installing with a DCS DD-36 or DD-30 Downdraft Ventilation System)

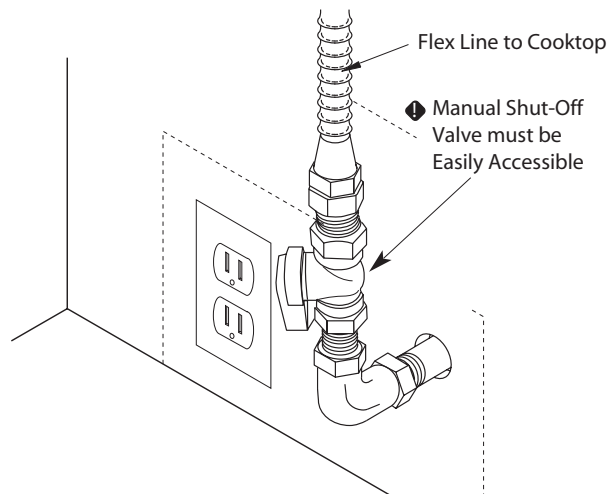


GAS HOOK UP:

Supply: Pressure Inches W.C.: 11.0~14.0"-LPG/6.0~9.0"-Natural Gas

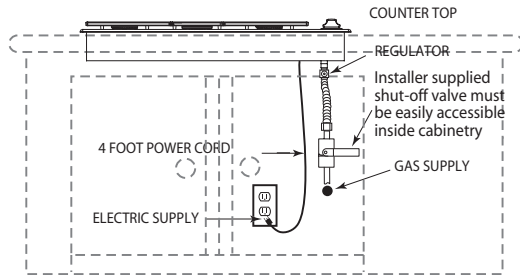
Verify the type of gas supplied to the location. The cooktop is shipped from the factory set for Natural Gas or LP (propane), depending on the specific model ordered. **Verify that the cooktop is compatible with the gas at the installation site before proceeding further.** Return cooktop to dealer if the unit is not set for site gas supply. A manual valve must be installed external to the appliance, in an accessible location from the front for the purpose of shutting off the gas supply. Make sure the gas supply is turned off at the wall valve before connecting the appliance. The gas supply connections should be made by a qualified technician and in accordance with local codes or ordinances.

Locate Gas Supply and Electrical Supply, referring to the illustrations below.

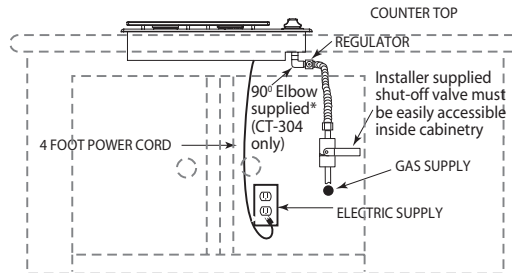


INSTALLATION INSTRUCTIONS

GAS CONNECTION FOR CT-365



GAS CONNECTION FOR CT-304



* Required when unit is installed over Wall Oven

Power Requirements:

120 VAC, 60 Hz., single phase.

CT-304/CT-365: 0.10 Amp. Max.

(Use 15 Amp. circuit minimum)

- Always disconnect the electric supply cord from the wall outlet or turn off the electricity at the service disconnect before servicing this appliance.
- Observe all governing codes and ordinances when grounding, in the absence of which, observe National Electrical Code ANSI/NFPA No. 70-1990.

Recommended Grounding Method:

This appliance is factory equipped with a power supply cord with a three-prong grounding plug (with polarized parallel blades). It must be plugged into a mating grounding-type receptacle, connected to a correctly polarized 120 Volt circuit. If the circuit does not have a grounding type receptacle, it is the responsibility and obligation of the installer or user to have the existing receptacle changed to a properly grounded and polarized receptacle in accordance with all applicable local codes and ordinances by a qualified electrician. In the absence of local codes and ordinances, the receptacle replacement shall be in accordance with the National Electrical Code. **THE THIRD GROUND PRONG SHOULD NOT, UNDER ANY CIRCUMSTANCES, BE CUT OR REMOVED.** The electrical supply must be a 120 volt, 60 Hz single phase, 15 AMP circuit. The power receptacle must be a NEMA 5-15R device to accept the three prong plug supplied with the unit.



THIRD GROUND PRONG

INSTALLER FINAL CHECKLIST

GENERAL

- Placement of Unit.
- Specified clearance maintained to cabinet surfaces.
- Unit Level- front to back, side to side.
- All packaging material and tie straps removed.

ELECTRICAL:

- Receptacle with 15 ampere circuit protection is provided for service cord connection.
- Adequate ground connection.

GAS SUPPLY:

- Connection: 1/2 NPT with a minimum 5/8" diameter flex line.
- The pressure regulator which is connected to the manifold is set for 4.0" W.C. for Natural Gas or 10" W.C. for LP.
- Manual gas shut-off valve installed in an accessible location.
- Unit tested and free of gas leaks.

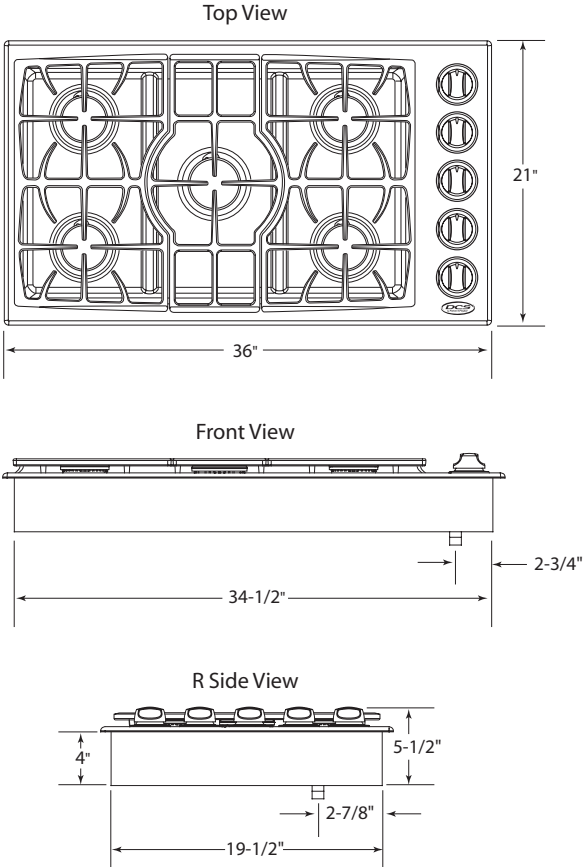
OPERATION:

- All internal packing materials are removed, i.e. below grates, around knobs, etc.
- Bezels centered on burner knobs and knobs turn freely.
- Each burner lights satisfactorily, both individually and with other burners operating.
- Low flame operation verified.
- All burner caps, burner rings and burner bases correctly seated in position, level, and do not rock or slide.
- Burner grates correctly positioned, level, and do not rock.

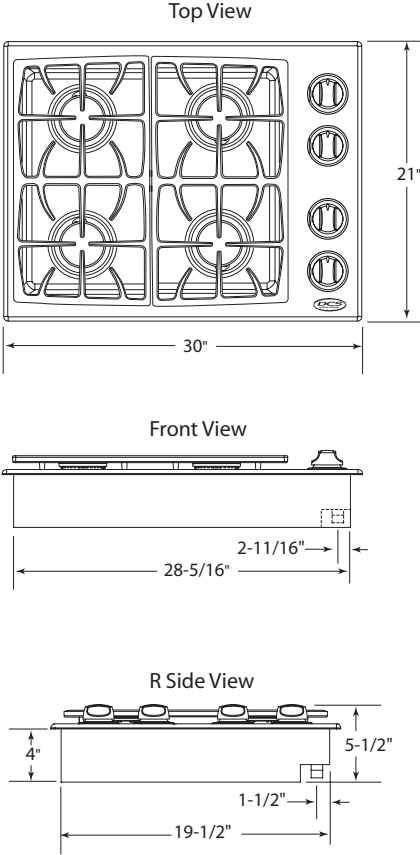
PRODUCT MEASUREMENT SPECIFICATIONS

To be sure that the CUTOUT for the cooktop is correct and to insure a clean installation, REFER TO PAGE 8 FOR CABINET PREPARATION AND CUTOUT SPECIFICATIONS.

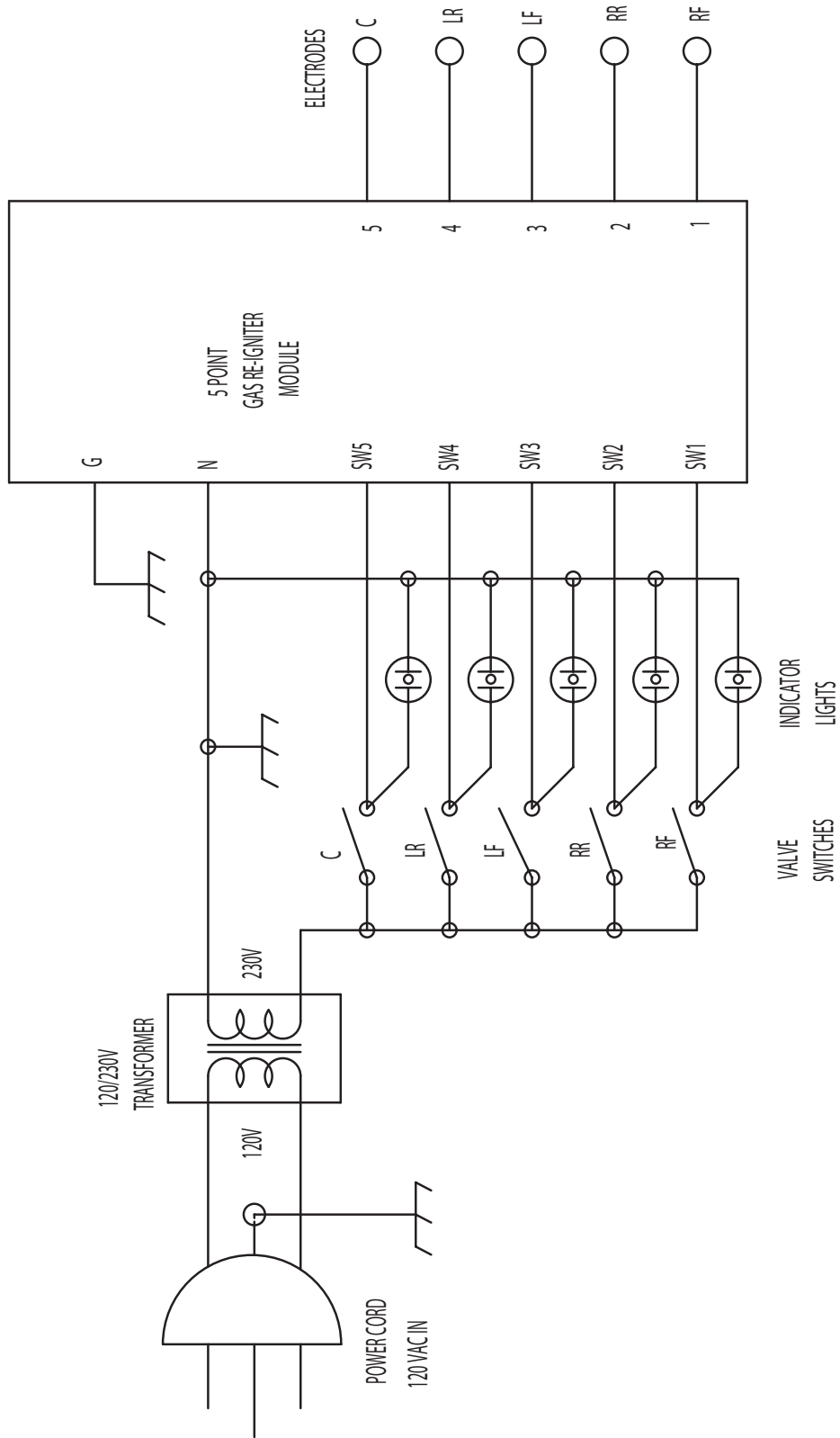
CT-365



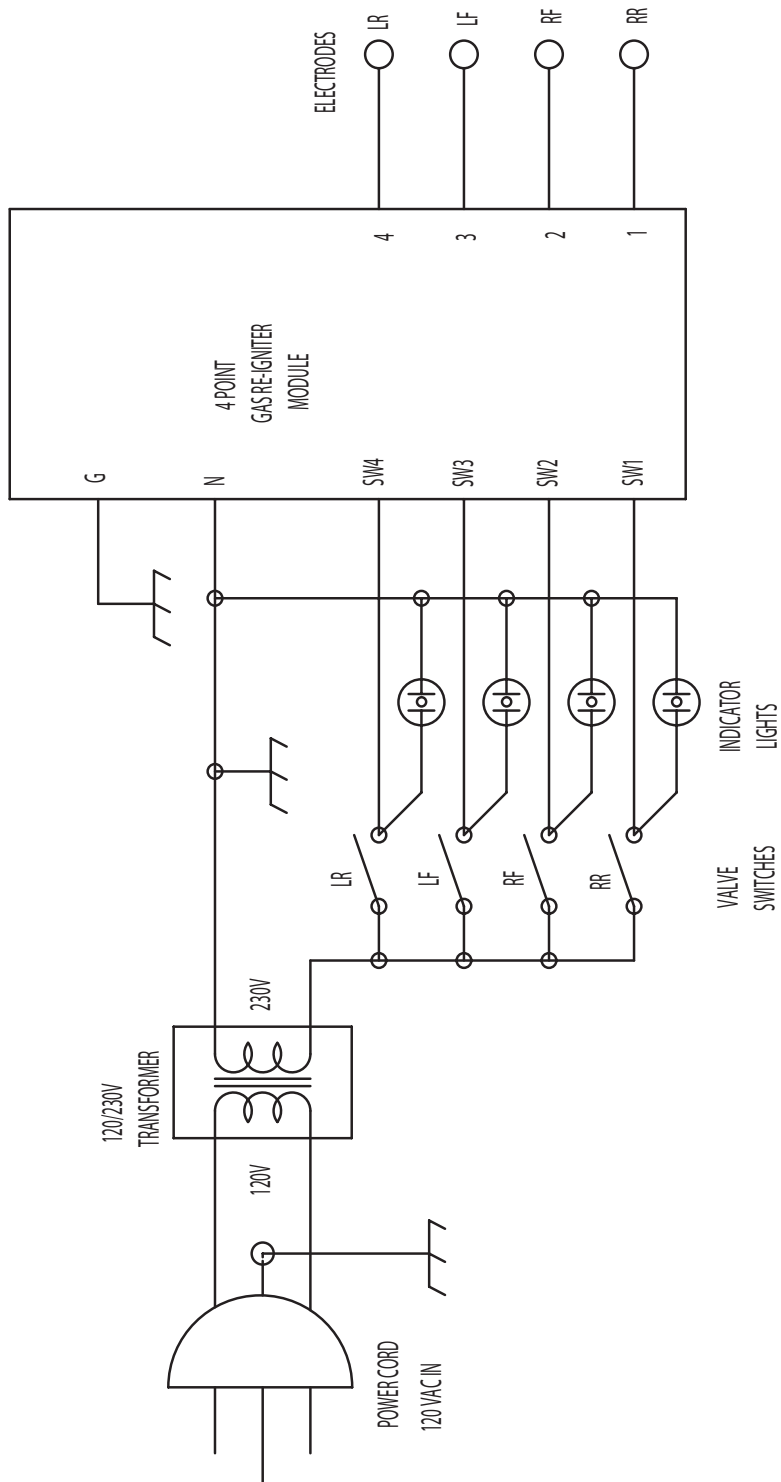
CT-304



WIRING DIAGRAM FOR CT-365



WIRING DIAGRAM FOR CT-304



SERVICE

HOW TO OBTAIN SERVICE:

For warranty service, contact DCS Customer Care Representative at (888) 281-5698. Before you call, please have the following information ready:

- **Model Number** (located at the bottom of chassis, right corner)
- **Serial Number** (located at the bottom of chassis, right corner)
- Date of installation
- A brief description of the problem

Your satisfaction is of the utmost importance to us. If a problem cannot be resolved to your satisfaction, please write to Customer Care or email: support@dcsappliances.com

Write:

Fisher & Paykel Appliances, Inc.
Attention: DCS Customer Care
5900 Skylab Road
Huntington Beach, CA 92647

BEFORE YOU CALL FOR SERVICE:

1. Is the circuit breaker tripped?
2. Is the gas turned on?
3. Is the AC plugged in?
4. Is the burner cap in position?
5. Can the burner be lit with a match?
6. Is the gas type correct for the unit – LP or Natural? (Assume the gas type is natural unless the model # has "L" which stands for LP.)

WARRANTY

LENGTH OF WARRANTY

One (1) Year Full parts and Labor **covers the entire product.**

Five (5) Years Limited **stainless steel main tops (parts only).**

DCS WILL COVER:

All repair labor and parts found to be defective due to materials or workmanship for one full year "IN HOME" warranty from date of purchase. This does not apply if the unit was subjected to other than normal household use. Service must be provided by **Authorized Factory Technician** during normal working hours. No charges will be made for repair or replacement at the location of initial installation or factory for parts returned pre-paid, through the dealer and claimed within the warranty period, and found by DCS to be defective.

Replacement will be F.O.B. DCS, and DCS will not be liable for any transportation costs, labor costs, or export duties. This warranty shall not apply, nor can we assume responsibility for damage that might result from failure to follow manufactures instructions or local codes, where the appliance has been tampered with or altered in anyway or which, in our judgement, has been subjected to misuse, negligence, or accident.

DCS WILL NOT COVER:

- Installation or start-up.
- Normal adjustment to burners, gas regulators, etc.
- Cleaning of igniters and/or general maintenance.
- Shipping damage.
- Service by an unauthorized agency.
- Damage or repairs due to service by an unauthorized agency or the use of unauthorized parts.
- Service during other than normal working hours.
- Improper installation, such as improper hook-up, etc.
- Chipping of porcelain enamel grates.
- Service visits to teach you how to use the appliance; correct the installation; reset circuit breakers or replace home fuses.
- Repairs due to other than normal household use.
- Damage caused from accident, abuse, alteration, misuse, incorrect installation or installation not in accordance with local codes.
- Units installed in non-residential application such as day care centers, bed and breakfast centers, churches, nursing homes, restaurants, hotels, schools, etc.

This warranty applies to appliances used in indoor residential applications; it does not cover their use in commercial situations.

This warranty is for products purchased and retained in the 50 states of the U.S.A., the District of Columbia and Canada. This warranty applies even if you should move during the warranty period. Should the appliance be sold by the original purchaser during the warranty period, the new owner continues to be protected until the expiration date of the original purchaser's warranty period.

WARRANTY

This warranty is in lieu of all other warranties, expressed or implied, and all implied warranties, including warranties of merchantability and fitness for a particular purpose, are hereby disclaimed to the full extent permitted by law. To the extent that implied warranties may not be disclaimed, the duration of any implied warranties, including implied warranties of merchantability and fitness for a particular purpose, are limited to the duration of this expressed warranty. This warranty gives you specific legal rights. You may also have other rights which vary from state to state.



TABLE DE CUISSON SUPENDUE PROFESSIONNELLE

- 36 PO À 5 BRÛLEURS
- 30 PO À 4 BRÛLEURS

Manuel D'Installation



MODÈLES :

CT-365SS (indiqué)
CT-365BK
CT-365WT

CT-304SS
CT-304BK
CT-304WT



À NOTRE CLIENTÈLE

Nous vous remercions d'avoir choisi cette table de cuisson suspendue professionnelle DCS. Nous avons conçu ce Manuel d'installation pour expliquer ses fonctions uniques. Il contient des informations extrêmement utiles sur la façon d'installer votre nouvel appareil de cuisson. Vous pourrez ainsi en profiter pendant des années en toute sécurité.

Si vous avez des questions au sujet de notre produit, communiquez avec Centre de service à la clientèle DCS par téléphone : 1-888-281-5698, email : support@dcsappliances.com,

or par courrier :

Fisher & Paykel Appliances, Inc.

Attention: DCS Customer Care

5900 Skylab Road

Huntington Beach, CA 92647

États-Unis

AVERTISSEMENT

Toute installation, ajustement, altération ou entretien incorrect peut causer des dommages matériels, des blessures ou la mort. Veuillez lire soigneusement ces instructions d'installation, d'utilisation et d'entretien avant d'utiliser, installer ou effectuer l'entretien de cet appareil.

AVERTISSEMENT

Évitez de stocker ou d'utiliser de l'essence ou tous autres liquides et vapeurs inflammables à proximité de cet appareil ou de tout autre appareil.

POUR VOTRE SÉCURITÉ

SI VOUS SENTEZ UNE ODEUR DE GAZ :

- 1. N'allumez aucun interrupteur électrique; n'utilisez aucun téléphone dans l'édifice.**
- 2. Appelez immédiatement votre fournisseur de gaz de chez un voisin. Suivez les instructions du fournisseur de gaz.**
- 3. Si vous n'arrivez pas à joindre votre fournisseur de gaz, appelez les pompiers. Toute entretien ou installation doit être confié à un installateur qualifié, un organisme de service ou le fournisseur de gaz.**

VEUILLEZ CONSERVER CE MANUEL À TITRE DE RÉFÉRENCE.

TABLE DES MATIÈRES

MESURES DE SÉCURITÉ ET DE PRÉCAUTION	3-5
EXIGENCES EN MATIÈRE DE VENTILATION	6
INSTRUCTIONS D'INSTALLATION	7-10
Préparation en vue de l'installation	7
Préparation du boîtier	8
Branchement du gaz	9
Besoins en alimentation	10
Méthode de mise à la terre recommandée	10
LISTE DE CONTRÔLE FINALE DE L'INSTALLATEUR	11
SPÉCIFICATIONS DES DIMENSIONS DU PRODUIT	12
SCHÉMA DE CÂBLAGE	13-14
SERVICE	15
GARANTIE	16-17

MESURES DE SÉCURITÉ ET DE PRÉCAUTION

Votre nouvel appareil DCS fonctionnera de manière sûre et fiable pendant des années si vous en prenez soin correctement. Faites extrêmement attention quand vous utilisez cet appareil de cuisson de niveau professionnel car il dégage une chaleur intense et peut augmenter les risques d'accidents. Vous devez respecter des consignes de sécurité élémentaires durant l'utilisation de cet appareil, dont celles-ci :

- Veuillez lire attentivement ce manuel d'utilisation et d'entretien **avant** d'utiliser votre nouvel appareil. Ceci vous permettra de réduire les risques d'incendie, de chocs électriques ou de blessures.
- Commencez par vous assurer que l'installation et l'entretien sont effectués correctement. Suivez les instructions d'installation fournies avec cet appareil. Confiez l'installation et la mise à la terre de l'appareil à un technicien qualifié avant de l'utiliser.
- Demandez-lui de vous montrer l'emplacement du robinet d'arrêt de l'alimentation de gaz afin de savoir comment couper l'arrivée de gaz.
- Si vous sentez une odeur de gaz, cela signifie que l'installateur n'a pas vérifié correctement s'il y avait des fuites. Si les connexions ne sont pas complètement étanches, une petite fuite pourrait se produire et laisser s'échapper une faible odeur de gaz. La détection des fuites n'est pas une procédure à faire soi-même. Certaines fuites ne peuvent être détectées que si la commande du brûleur est sur ON et, dans l'intérêt de votre sécurité, ceci doit être confié à un technicien qualifié.
- Si jamais un brûleur s'éteint sans se rallumer et laisse s'échapper le gaz, ouvrez la fenêtre ou la porte pour évacuer l'air. N'essayez pas d'utiliser l'appareil avant que le gaz n'ait eu le temps de se dissiper.
- Cet appareil électroménager a été monté en usine pour être utilisé avec du **gaz naturel ou propane** tel qu'indiqué par le numéro de modèle.
- **Ne réparez pas** ni ne remplacez aucune pièce de cet appareil, sauf indication contraire du manuel. Tout autre travail d'entretien doit être confié à un technicien qualifié.

AVERTISSEMENT :

LES ENFANTS NE DOIVENT PAS ÊTRE LAISSÉS SEULS OU sans surveillance dans un endroit où est utilisé ce type d'appareil. Il ne faut jamais les laisser tourner ou enfoncer des boutons, ni s'asseoir ou se tenir debout sur l'appareil.

AVERTISSEMENT :

ne rangez pas d'objets pouvant attirer les enfants sur ou autour de la table de cuisson. Les enfants pourraient se blesser sérieusement s'ils grimpent sur l'appareil ou s'étirent par dessus pour atteindre un objet particulier.

- **Ne rangez jamais rien sur la table de cuisson.** Des matériaux inflammables pourraient prendre feu accidentellement, des éléments en plastique pourraient fondre ou s'enflammer et d'autres types d'objets pourraient être détruits.
- Ne suspendez aucun objet sur aucune partie de l'appareil. Certains matériaux sont très inflammables et pourraient prendre feu.
- Si l'appareil se trouve près d'une fenêtre, assurez-vous que les rideaux sont suffisamment éloignés des brûleurs de la table de cuisson; ils pourraient prendre feu sinon.

MESURES DE SÉCURITÉ ET DE PRÉCAUTION

- Ne laissez jamais des vêtements, gants ou autres matériaux inflammables en contact ou à proximité d'un brûleur ou d'une grille de brûleur tant que ceux-ci n'ont pas refroidi. Les tissus peuvent s'enflammer et causer des blessures.
- Utilisez seulement des gants isolants secs : les gants humides sur des surfaces chaudes peuvent provoquer des brûlures causées par la vapeur. N'utilisez pas de serviette ou de chiffon épais à la place de gants isolants. Ne laissez pas les gants isolants toucher les brûleurs ou leurs grilles.
- Pour assurer votre propre sécurité, habillez-vous de façon appropriée. Ne portez jamais de vêtements ou de manches lâches lorsque vous utilisez l'appareil. Certains tissus synthétiques sont extrêmement inflammables et ne doivent pas être portés pendant la cuisson.
- Ne recouvrez aucune partie de la table de cuisson avec du papier aluminium. L'utilisation de papier aluminium peut créer un risque d'incendie.



AVERTISSEMENT :

cet appareil est destiné à la cuisson. Pour des raisons de sécurité, n'utilisez jamais la table de cuisson pour chauffer une pièce.



AVERTISSEMENT :

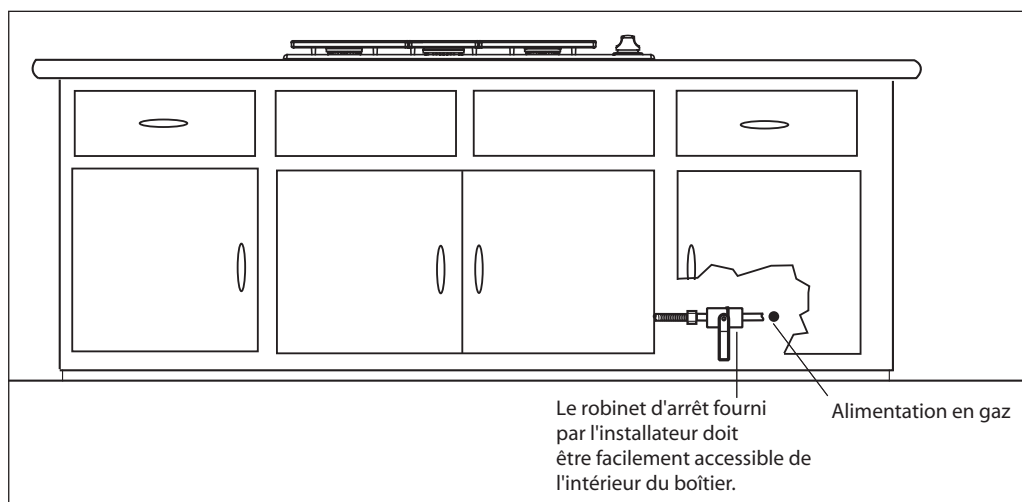
Durant l'utilisation de la table de cuisson : ne touchez pas les grilles des brûleurs ou les surfaces adjacentes. Celles-ci peuvent devenir suffisamment chaudes pour provoquer des brûlures.

- **Ne laissez jamais la table de cuisson sans surveillance lorsque vous cuisinez à flamme haute.** Un débordement par bouillonnement pourrait produire de la fumée ou un déversement graisseux pourrait prendre feu. Et, surtout, si les flammes des brûleurs sont étouffées par un débordement important affectant l'allumeur, **le gaz non brûlé s'échappera dans la pièce, ce qui serait extrêmement dangereux.**
- Seuls certains types d'ustensiles en verre, vitrocéramique calorifugée, céramique, poterie ou émaillés sont appropriés pour être utilisés sur la flamme vive de la table de cuisson. Les ustensiles non thermorésistants peuvent se briser à la suite de changements de température soudains.
- Ne chauffez pas de contenant de nourriture fermé car la pression pourrait s'accumuler et le faire exploser.
- Durant la cuisson, réglez la commande du brûleur de sorte que la flamme ne chauffe que le fond du récipient et ne lèche pas ses rebords inférieurs. Cela pourrait chauffer ou faire fondre les poignées.
- Servez-vous toujours d'ustensiles à fond plat suffisamment larges pour couvrir les brûleurs. L'utilisation d'ustensiles trop petits risque d'offrir un contact direct à la flamme et de mettre le feu aux vêtements
- Afin de réduire le risque de brûlures, d'allumage de matériaux inflammables et de déversement accidentel, tournez les poignées des ustensiles vers l'intérieur afin qu'elles ne surplombent pas les surfaces de travail adjacentes, les zones de cuisson et les bords extérieurs de la table de cuisson.
- Tenez la poignée du récipient pour empêcher tout mouvement de l'ustensile lorsque vous retournez ou remuez la nourriture.
- **La graisse est inflammable.** Ne versez pas d'eau sur les feux de graisse. ÉTEIGNEZ le brûleur, puis étouffez le feu avec du bicarbonate de soude ou à l'aide d'un extincteur à poudre ou à mousse. Laissez toute graisse chaude refroidir avant d'essayer de la manipuler. Évitez de laisser la graisse s'accumuler autour de la base des brûleurs de la table de cuisson. Nettoyez après chaque utilisation ou déversement.

MESURES DE SÉCURITÉ ET DE PRÉCAUTION

- Recouvrez les poêles à frire de grilles anti-éclaboussures pour éviter les risques de brûlures à l'huile. Prenez soin de ne pas utiliser une flamme trop haute.
- Pour assurer un bon allumage et une bonne performance des brûleurs de la table de cuisson, gardez leurs ports dans un état propre. Il peut s'avérer nécessaire de nettoyer ceux-ci en cas de débordement ou lorsque le brûleur ne s'allume pas, même si les allumeurs électroniques cliquent.
- Nettoyez la table de cuisson avec précaution. Évitez de vous brûler à la vapeur : n'utilisez pas d'éponge ou de chiffon mouillé pour nettoyer l'appareil alors qu'il est encore chaud. Certains produits de nettoyage produisent des vapeurs nocives s'ils sont appliqués à une surface chaude. Suivez le mode d'emploi fourni par le fabricant du produit de nettoyage.
- Assurez-vous que les boutons de l'appareil sont fermés et que celui-ci est froid avant d'utiliser des nettoyants aérosol à proximité. L'élément chimique qui produit le jet de vaporisation peut, en présence de chaleur, s'enflammer ou provoquer la corrosion des parties métalliques.
- Nettoyez fréquemment la hotte et les filtres de ventilation surplombant la table de cuisson afin d'empêcher toute accumulation de graisse provenant des vapeurs de cuisson.
- ÉTEIGNEZ le ventilateur en cas d'incendie. Si la souffleuse est en marche, elle pourrait en effet répandre les flammes.
- Ne bloquez pas la circulation de l'air de combustion ou de ventilation. Assurez toujours un apport d'air frais.
- Pour des raisons de sécurité et pour ne pas endommager l'appareil, évitez de vous asseoir, de vous tenir debout ou de vous appuyer contre la surface de cuisson.
- Les réparations doivent être effectuées par des techniciens agréés uniquement. Ceux-ci doivent débrancher le bloc d'alimentation avant de travailler sur l'appareil.
- Avertissement concernant la proposition 65 de la Californie : l'incinération de gaz de cuisson génère des sous-produits considérés par l'État de Californie comme pouvant causer le cancer ou des malformations congénitales. Les lois de Californie exigent que les entreprises avertissent leurs clients qu'ils risquent d'être exposés à de telles substances. Pour minimiser l'exposition à ces substances, faites toujours fonctionner l'appareil conformément aux instructions contenues dans ce manuel et assurez une bonne ventilation lorsque vous cuisinez au gaz.

REMARQUE : Ce produit doit être installé par un plombier ou ajusteur d'appareils à gaz agréé si l'installation a lieu au sein du Commonwealth du Massachusetts.



EXIGENCES EN MATIÈRE DE

RENSEIGNEMENTS IMPORTANTS :

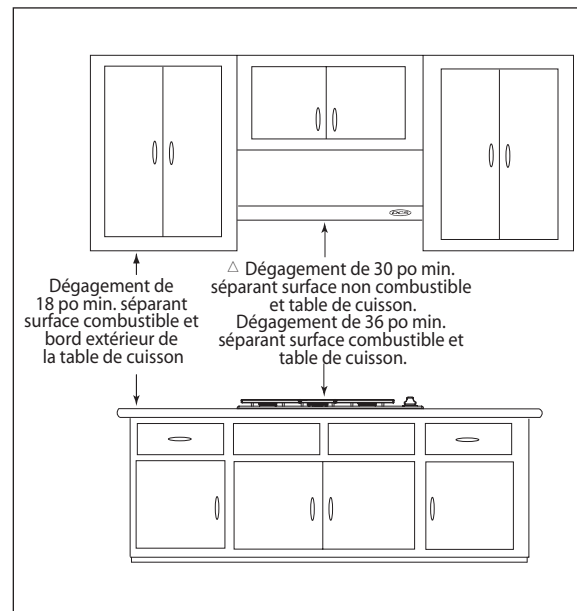
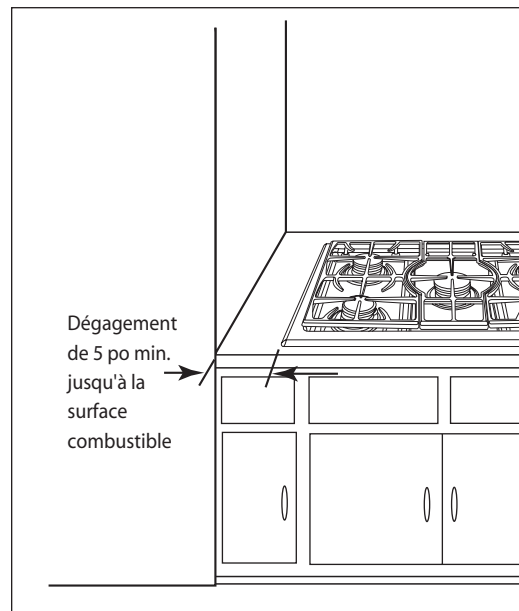
MISE EN GARDE :

les hottes et souffleuses de ventilation sont conçues pour être utilisées avec des conduits à paroi simple. Toutefois, il se peut que certains codes du bâtiment locaux ou des inspecteurs exigent des parois doubles. Consultez les codes du bâtiment ou organismes locaux avant de commencer afin de vous assurer que la hotte et les conduits sont conformes aux normes en vigueur. La vitesse de la souffeuse de la hotte doit être variable afin de réduire le niveau de bruit et la perte d'air chauffé ou conditionné de la pièce lorsqu'une ventilation maximum n'est pas requise. Pour évacuer la fumée de la meilleure façon, le bord inférieur de la hotte doit être **INSTALLÉ À UN MINIMUM DE 76 CM (30 PO) ET UN MAXIMUM DE 91 CM (36 PO) AU-DESSUS DE LA SURFACE DE CUISSON. Si la hotte contient des matériaux combustibles (par ex. un revêtement en bois), elle doit être placée à au moins 91 cm (36 po) au-dessus de la surface de cuisson. À cause du volume élevé d'air de ventilation, il est recommandé d'assurer une source d'air frais provenant de l'extérieur. Ceci est particulièrement important pour les résidences très isolées. Consultez un spécialiste en chauffage et aération réputé.**

EXIGENCES EN MATIÈRE DE VENTILATION : RECOMMANDATIONS CONCERNANT L'INSTALLATION D'UN COMPTOIR STANDARD

HOTTE : (profondeur 24 po x largeur de l'appareil)

SOUFFLEUSE : TABLE DE CUISSON 36 po
17 m³/min



△Tel que défini dans le « National Fuel Gas Code » (norme ANSI Z223.1 dernière édition)

Le niveau des surfaces horizontales de la garniture de la cuisinière (table de cuisson) ne doit pas être inférieur au niveau du comptoir.

REMARQUE :

Voir les recommandations du fabricant en ce qui concerne les dimensions des conduits.

INSTRUCTIONS D'INSTALLATION

PRÉPARATION EN VUE DE L'INSTALLATION :

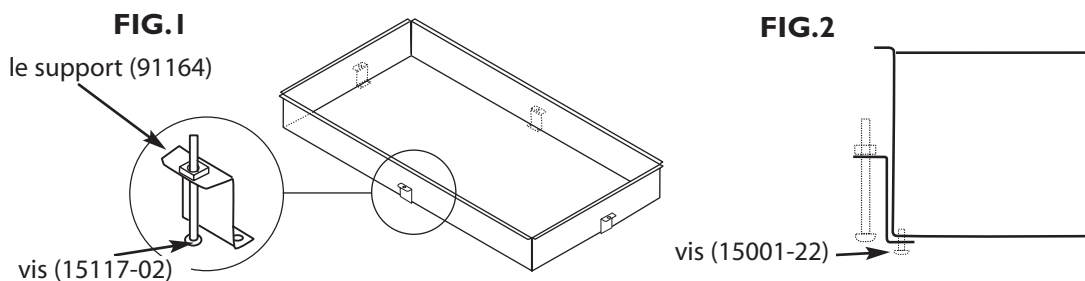
Lisez attentivement la page 6 concernant les exigences en matière de ventilation avant de commencer. Reportez-vous à la section de préparation du boîtier à la page 8 avant de pratiquer la DÉCOUPE.

- Étape 1: Déballez l'appareil et le régulateur et enlevez tout l'emballage des brûleurs, des couronnes et des capuchons. Retirez les grilles de leur boîtes.
- Étape 2: À l'aide des outils et matériel nécessaires à portée de main, mesurez la distance entre l'arrière et les côtés du comptoir et du boîtier afin de déterminer l'emplacement de la découpe de la table de cuisson.
- Étape 3: Effectuez la découpe selon les dimensions indiquées à la page 8. Alignez la découpe contre le comptoir.
- Étape 4: Abaissez la table de cuisson dans la découpe du comptoir en prenant soin de ne pas endommager le comptoir, le filetage du tuyau d'admission ou le cordon d'alimentation de la table de cuisson.
- Étape 5: Alignez la table de cuisson contre la découpe et installez les (4) supports de retenue sur les 8 trous situés au bas de l'appareil (voir Figure 1 ci-dessous). Si des supports de retenue ne sont pas installés, la table de cuisson ne sera pas pressée contre le comptoir.
- Étape 6: Serrez les 4 vis préinstallées pour bien fixer l'appareil. Évitez de trop serrer (voir Figure 2 ci-dessous).

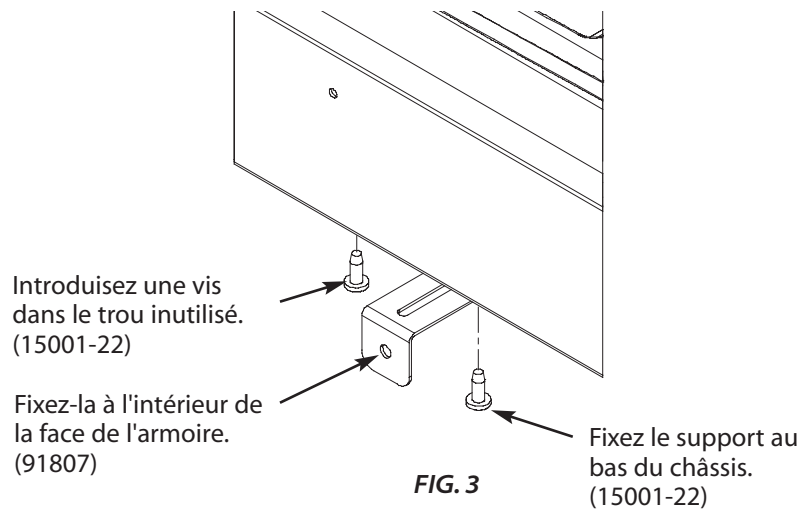
REMARQUE : *Il se peut que certaines installations ne disposent pas d'un dégagement suffisamment à l'avant pour le support de retenue en forme de Z. Dans ce cas, utilisez le support en L fourni. Fixez le support au bas du châssis de la table de cuisson à l'aide d'un des trous à vis prévus à cet effet. Assurez-vous que le support est suffisamment étendu pour qu'il touche l'intérieur de la face de l'armoire. Fixez le support à l'armoire. Introduisez une vis dans le trou adjacent inutilisé du châssis de la table de cuisson. Voir la figure 3.*

- Étape 7: Installez le régulateur, flèche orientée dans le sens du débit de gaz (pointant vers la table de cuisson), et couvrez le filetage du tuyau mâle d'un enduit d'étanchéité. Mettez en place les couronnes et capuchons des brûleurs.
- Étape 8: Branchez la conduite de gaz à l'appareil. Reportez-vous à la page 9 en ce qui concerne le branchement du gaz.
- Étape 9: Tournez le robinet pour laisser passer le gaz. Regardez s'il y a des fuites de gaz.
- Étape 10: Branchez l'appareil dans la prise murale.
- Étape 11: Allumez d'abord le bouton du brûleur avant et allumez le gaz avec une allumette en prenant soin de ne pas vous brûler la main ou d'autres parties du corps. Il y a de l'air dans la conduite de gaz lorsque le gaz est activé initialement. L'utilisation d'une allumette sur le brûleur permet de se débarrasser du mélange d'air et de gaz plus facilement et de manière plus sécuritaire. Soyez prudent afin d'éviter tout risque de brûlure.

Étape 12: Mettez les grilles en place.



INSTRUCTIONS D'INSTALLATION



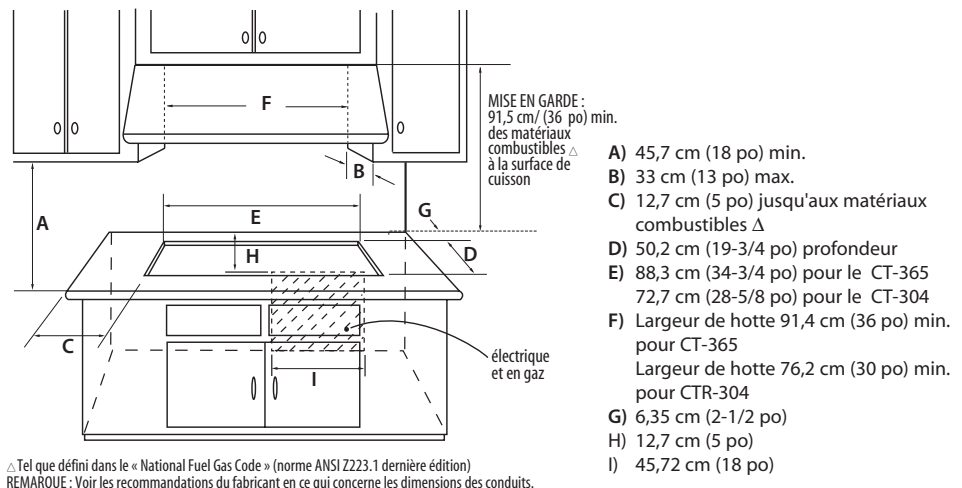
PRÉPARATION DU BOÎTIER

La table de cuisson a été conçue pour permettre une installation facile. Toutefois, pour donner une belle apparence à l'appareil, **les découpes doivent être précises** afin d'en dissimuler les bords bruts et de permettre un ajustement serré et solide. Utilisez les dimensions de découpe des figures ci-dessous pour votre installation. En préparation à l'installation, il est essentiel que la découpe du boîtier respecte les dimensions de découpe fournies pour la table de cuisson afin d'assurer un bon ajustement. Voir les spécifications indiquées sur les illustrations ci-dessous.

- La table de cuisson doit être de niveau pour bien fonctionner. Le boîtier doit être plat (de l'avant vers l'arrière et de gauche à droite) de manière à affleurer la table de cuisson.
- Prenez soin de consulter les codes du bâtiment en vigueur au sujet de la méthode d'installation à suivre. Les codes peuvent varier d'une région à l'autre. L'installation, les connexions électriques et la mise à la terre doivent être conformes à tous les codes en vigueur.

REMARQUE : La table de cuisson doit être complètement retirée de la découpe pour toute réparation ou entretien. La chambre de cuisson inférieure n'est pas soutenue par le comptoir.

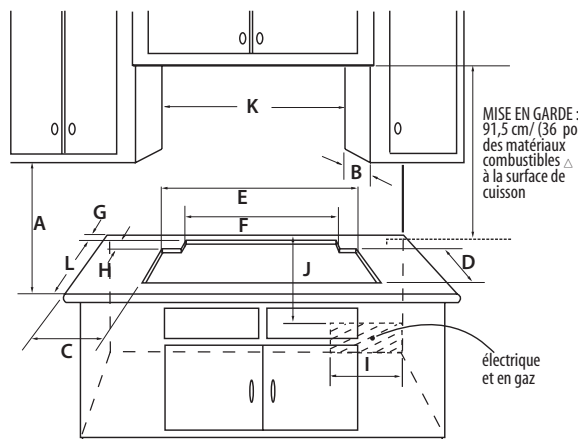
DIMENSIONS DE DÉCOUPE DE LA TABLE DE CUISSON SUSPENDUE



INSTRUCTIONS D'INSTALLATION

DIMENSIONS DE DÉCOUPE DE LA TABLE DE CUISSON SUSPENDUE

(dans le cas d'une installation avec un système de ventilation par aspiration descendante DCS DD-36 ou DD-30)



MISE EN GARDE :
91,5 cm / (36 po) min.
des matériaux
combustibles Δ
à la surface de
cuisson

- A) 45,7 cm (18 po) min.
- B) 33 cm (13 po) max.
- C) 12,7 cm (5 po) jusqu'aux matériaux combustibles Δ
- D) 50,2 cm (19-3/4 po) profondeur
- E) 88,3 cm (34-3/4 po) pour le CT-365
72,7 cm (28-5/8 po) pour le CT-304
- F) 33-1/2 po de largeur pour le DD36
27-1/2 po de largeur pour le DD30
- G) 1,3 cm (1/2 po) min.
- H) 6,35 cm (2-1/2 po)
- I) 22,86 cm (9 po)
- J) 67,3 cm (26-1/2 po)
- K) Min. 91,4 cm (36 po) pour le CT-365
Min. 76,2 (30 po) pour le CT-304
- L) 66,04 cm (26 po) min.

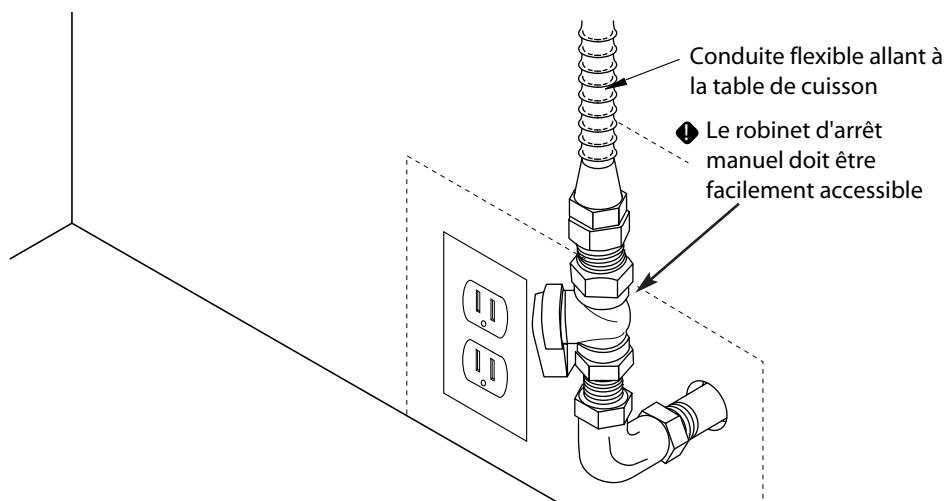
Δ Tel que défini dans le « National Fuel Gas Code » (norme ANSI Z223.1 dernière édition)
REMARQUE : Voir les recommandations du fabricant en ce qui concerne les dimensions des conduits.
REMARQUE : Dans le cas de l'installation d'une table de cuisson de 30 po dotée d'un système de ventilation par le bas (DD-30SS), prévoyez une profondeur d'armoire de 66 cm (26 po) minimum.

BRANCHEMENT DU GAZ :

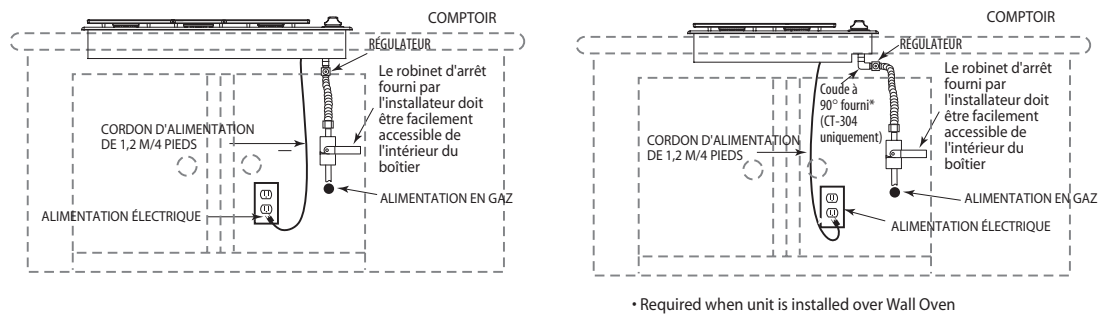
Pression CE : 11,0~14,0 po - propane/6,0~9,0 po - gaz naturel

Vérifiez le type de gaz alimentant le site. La table de cuisson est réglée en usine pour fonctionner au gaz naturel ou propane selon le modèle spécifique commandé. **Avant d'aller plus loin, vérifiez que la table de cuisson est compatible avec le gaz du site où elle doit être installée.** Renvoyez la table de cuisson au distributeur si elle n'est pas réglée pour fonctionner avec le gaz du site. Un robinet manuel doit être installé à l'extérieur de l'appareil, sur le devant, dans un endroit accessible, afin de permettre de couper le gaz. Avant de brancher l'appareil, prenez soin de couper le gaz par le robinet mural. Toutes les connexions d'alimentation en gaz doivent être effectuées par un technicien qualifié conformément aux codes et règlements en vigueur.

Reportez-vous aux illustrations ci-dessous pour repérer l'alimentation en gaz et l'alimentation électrique.



INSTRUCTIONS D'INSTALLATION



BESOINS EN ALIMENTATION :

120 V c.a., 60 Hz, courant monophasé

CT-365 : 0,10 A max.

(utilisez un circuit de 15 A minimum)

- Débranchez toujours le cordon d'alimentation électrique de la prise murale ou coupez le courant avant d'effectuer l'entretien de cet appareil.
- Respectez tous les codes et réglementations en vigueur concernant la mise à la terre. S'il n'y en a pas, respectez la norme ANSI/NFPA No. 70-1990 du National Electrical Code (Code national de l'électricité).

MÉTHODE DE MISE À LA TERRE RECOMMANDÉE :

Cet appareil est équipé d'un cordon d'alimentation à fiche bipolaire avec terre dotée de lames parallèles polarisées. La fiche doit être branchée dans une prise avec mise à la terre correspondante connectée à un circuit correctement polarisé de 120 V. Si le circuit ne possède pas ce genre de prise, l'installateur ou l'utilisateur a la responsabilité et le devoir de faire remplacer, par un technicien qualifié, la prise existante par une prise polarisée correctement mise à la terre conformément aux codes et réglementations en vigueur. En l'absence de tels codes et réglementations, le remplacement de la prise doit être effectué conformément au Code national de l'électricité. **LA TROISIÈME BROCHE DE TERRE NE DOIT EN AUCUN CAS ÊTRE COUPÉE OU ENLEVÉE.** Assurez une alimentation électrique à courant monophasé de 120 V, 60 Hz sur un circuit de 15 ampères. La prise de courant doit être de type NEMA 5-15R compatible avec la fiche bipolaire avec terre fournie avec l'appareil.



Troisième broche de terre

LISTE DE CONTRÔLE FINALE DE L'INSTALLATEUR

GÉNÉRALITÉS

- Emplacement de l'appareil.
- Dégagement spécifié respecté par rapport aux surfaces du boîtier.
- Appareil de niveau - de l'avant à l'arrière, d'un bord à l'autre.
- Matériel d'emballage et courroies d'attache enlevés.

ALIMENTATION ÉLECTRIQUE :

- Prise avec protection de courant de 15 ampères pour brancher le cordon d'alimentation.
- Connexion de mise à la terre adéquate.

ALIMENTATION EN GAZ :

- Connexion : 1/2 NPT avec conduite flexible de 5/8 po de diamètre minimum
- Le régulateur de pression connecté au distributeur est réglé sur 4,0 po C.E. pour le gaz naturel ou 10,0 po C.E. pour le gaz propane.
- Robinet d'arrêt manuel installé dans un endroit facile d'accès.
- Appareil testé et exempt de fuites.

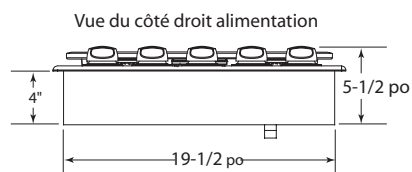
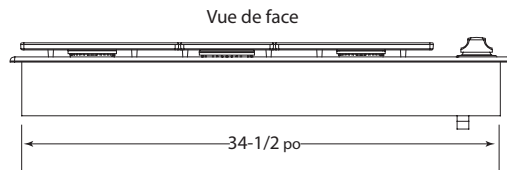
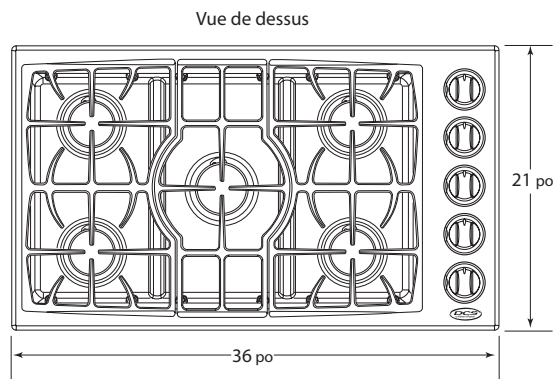
FONCTIONNEMENT :

- Tout le matériel d'emballage interne est enlevé, c'est-à-dire sous les grilles, autour des boutons, etc.
- Cadrons centrés sur les boutons des brûleurs et boutons tournant librement,
- Chaque brûleur s'allume correctement, qu'il fonctionne seul ou avec les autres brûleurs.
- Réglage de flamme produisant une flamme douce conique de 3/8 po sur les ports des brûleurs supérieurs.
- Vérification de fonctionnement à faible flamme.
- Tous les capuchons, couronnes et bases de brûleur sont bien assis, de niveau, ne remuent pas et ne glissent pas.
- Les grilles des brûleurs sont correctement placées, de niveau et ne remuent pas.

SPÉCIFICATIONS DES DIMENSIONS DU PRODUIT

Afin de vous assurer que la DÉCOUPE de la table de cuisson est correcte et que l'installation est bien menée, CONSULTEZ LA PAGE 8 EN CE QUI CONCERNE LA PRÉPARATION DU BOÎTIER ET LES SPÉCIFICATIONS DE DÉCOUPE.

CT-365



CT-304

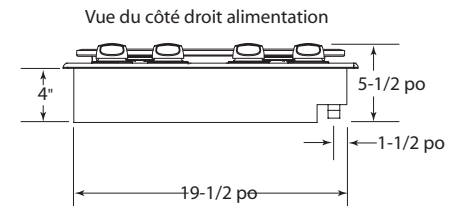
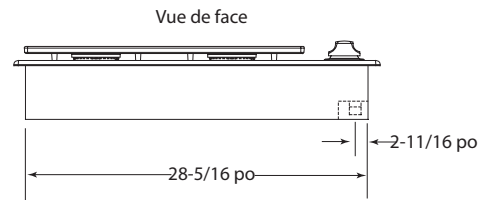
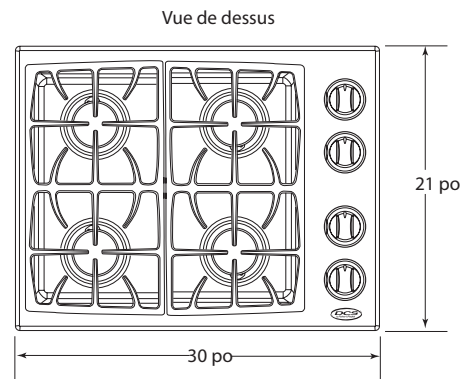


SCHÉMA DE CÂBLAGE – CT365

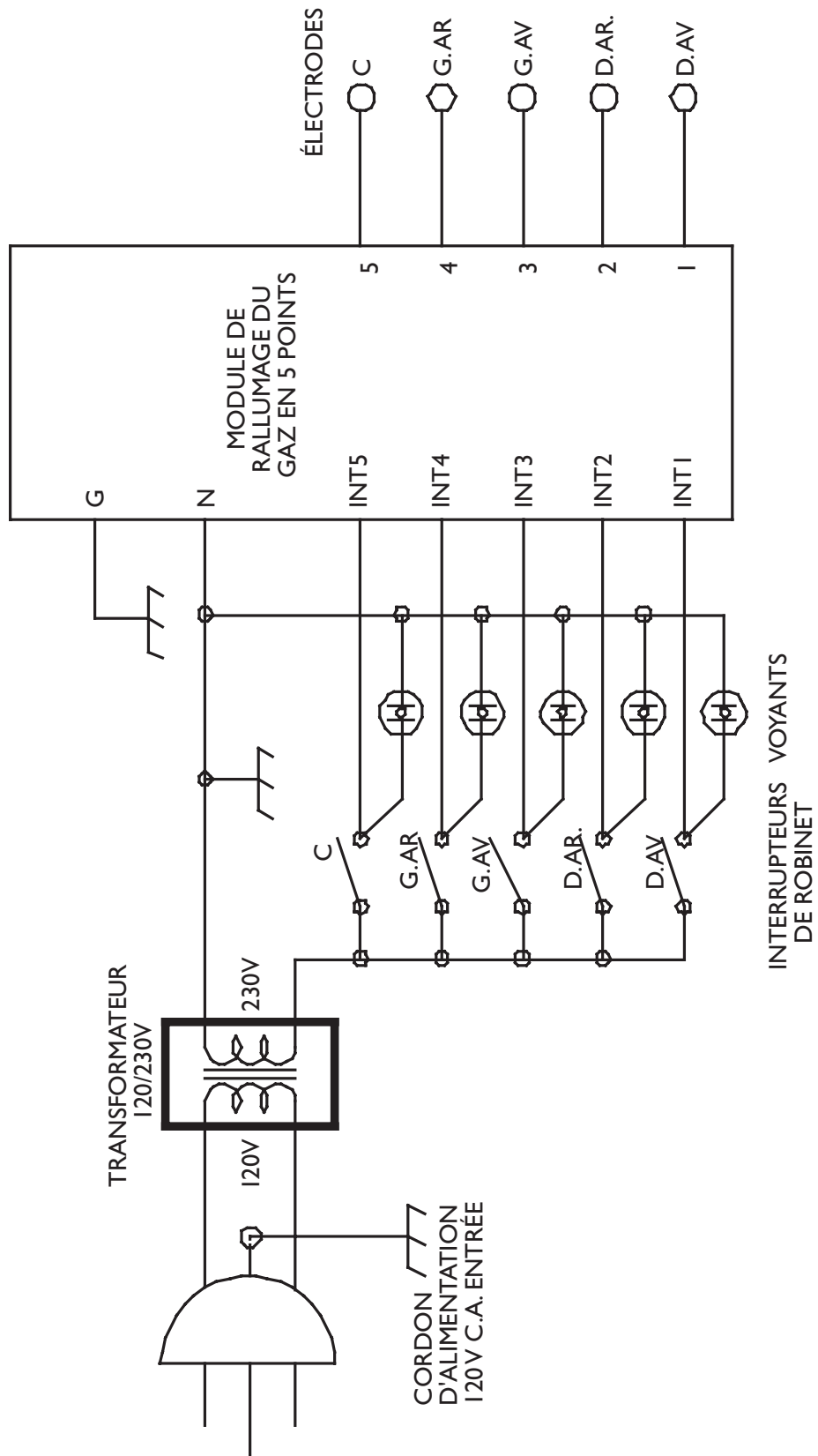
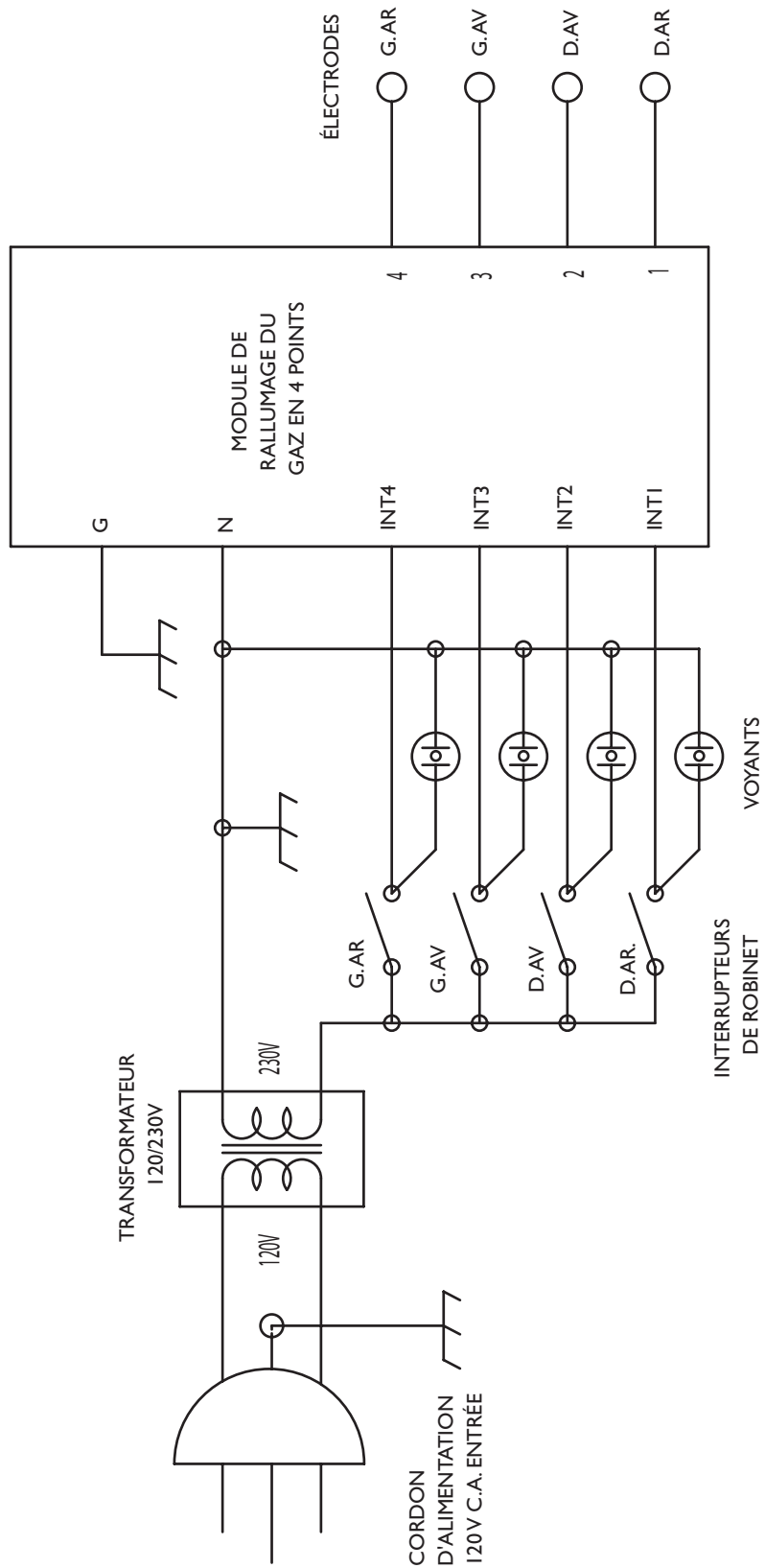


SCHÉMA DE CÂBLAGE – CT304



POUR L'OBTENTION DE SERVICE :

Pour le service sous garantie, contactez le centre DCS agréé le plus proche au (888) 281-5698. Avant d'appeler, veuillez avoir les informations suivantes à portée de main :

- Numéro de modèle (bas du châssis, coin droit)
- Numéro de série (bas du châssis, coin droit)
- Date d'installation
- Brève description du problème

Votre satisfaction revêt la plus haute importance pour nous. Si un problème n'est pas résolu à votre entière satisfaction, veuillez communiquer par courrier avec notre Centre de service à la clientèle ou email : support@dcsappliances.com

Écrivez-nous à l'adresse suivante :

Fisher & Paykel Appliances, Inc.
Attention: DCS Customer Care
5900 Skylab Road
Huntington Beach, CA 92647

AVANT D'APPELER LE SERVICE TECHNIQUE :

1. Est-ce que le disjoncteur s'est déclenché ou que le fusible est grillé?
2. Est-ce que le gaz est allumé?
3. Est-ce que la prise est branchée sur le courant?
4. Est-ce que le capuchon de brûleur est en place?
5. Peut-on allumer le brûleur avec une allumette?
6. Le type de gaz est-il correct pour cet appareil : gaz propane ou naturel? (Voir l'autocollant du numéro de modèle. Vous pouvez supposer que le type de gaz est du gaz naturel à moins que le numéro du modèle comporte un « L », ce qui signifie liquéfié, et donc propane.)

GARANTIE

DURÉE DE LA GARANTIE

Un (1) an, pièces et main-d'œuvre **sur tout le produit.**

Cinq (5) ans de garantie limitée **sur les pièces supérieures principales en acier inoxydable (pièces seulement.)**

DCS COUVRE LES FRAIS SUIVANTS :

Frais de main-d'œuvre et de réparation de pièces jugées défectueuses pour cause de vice de matière ou de fabrication, et ce pendant une année complète avec garantie « À DOMICILE » pendant la première année d'achat. Cette garantie ne s'applique pas si l'appareil a été soumis à une utilisation autre qu'une utilisation domestique normale. Le service doit être fourni par un agent agréé de l'usine durant les heures ouvrables normales. Il n'y aura pas de frais facturés pour les réparations ou remplacements effectués sur le site de l'installation initiale ou en usine pour des pièces renvoyées port payé, par l'intermédiaire du distributeur, pendant la période de garantie, et jugées défectueuses par DCS.

Les remplacements sont effectués franco à bord DCS et DCS n'est pas responsable des frais de transport, de main-d'œuvre ou des tarifs douaniers s'appliquant à l'exportation. Cette garantie ne saurait s'appliquer, et nous n'assumons aucune responsabilité pour les dommages pouvant résulter du fait de ne pas avoir respecté les consignes du fabricant ou des codes en vigueur, ou d'avoir trafiqué ou altéré l'appareil de quelque façon, ou d'avoir, selon nous, soumis l'appareil à une mauvaise utilisation, à de la négligence ou à un accident.

DCS NE COUVRE PAS LES FRAIS SUIVANTS :

- Installation ou démarrage.
- Réglage normal des brûleurs, régulateurs de gaz, etc.
- Nettoyage des allumeurs et/ou entretien général.
- Dommages subis durant le transport.
- Service effectué par un centre non agréé.
- Dommages ou réparations causés par un service effectué par un centre non agréé ou par l'utilisation de pièces non autorisées.
- Service effectué en dehors des heures ouvrables normales.
- Mauvaise installation, telle qu'un branchement incorrect, etc.
- Écaillage des grilles en émail- porcelaine.
- Visites de service pour vous apprendre comment utiliser l'appareil, corriger l'installation, réarmer les disjoncteurs ou remplacer les fusibles de la maison.
- Réparations dues à une utilisation autre qu'une utilisation domestique normale.
- Dommages causés par accident, abus, altération, mauvaise utilisation, installation incorrecte ou installation non conforme aux codes en vigueur.
- Appareils installés dans le cadre d'applications non résidentielles telles que garderies, auberges, lieux de culte, maisons de soin, restaurants, hôtels, écoles, etc.

Cette garantie s'applique aux appareils utilisés dans des applications résidentielles. Elle ne couvre pas les utilisations commerciales.

Cette garantie couvre les produits achetés et utilisés dans les 50 états des États-Unis, le District de Columbia et au Canada. La garantie s'applique même si vous déménagez durant la période de garantie. Si l'appareil est vendu par l'acheteur initial durant la période de garantie, le nouveau propriétaire

GARANTIE

continue de bénéficier de la protection jusqu'à la date d'expiration de la période de garantie de l'acheteur initial.

Cette garantie remplace toute autre garantie, explicite ou implicite. En outre, toutes les garanties implicites, y compris les garanties de qualité marchande ou d'adaptation à un usage particulier, sont déclinées par la présente dans toute la limite permise par la loi. Dans la mesure où les garanties implicites ne peuvent être déclinées, la durée des garanties implicites, y compris les garanties implicites de qualité marchande ou d'adaptation à un usage particulier, est limitée à la durée de cette garantie expresse. Cette garantie vous donne des droits juridiques spécifiques. Il se peut que vous ayez d'autres droits pouvant varier d'une juridiction à l'autre.



A Fisher & Paykel Appliances, Inc. Company

Fisher & Paykel Appliances, Inc.
5900 Skylab Road, Huntington Beach, CA 92647
Customer Care: 888.281.5698
Fax: 714.372.7003
www.dcsappliances.com

As product improvement is an ongoing process at DCS, we reserve the right to change specifications or design without notice.

DCS améliore constamment ses produits et se réserve le droit de modifier les spécifications ou la conception de ses produits sans aucun préavis.

Part No. 17736 Rev.D
Litho in USA 02/2005